

## CCL-1 ab Serien-Nr.: H00165

[PreAmp schematic](#)

[PowerAmp schematic](#)

[Connectors schematic](#)

[Schematic Diagram](#)

[PreAmp board](#)

[PowerAmp board](#)

[Connectors board](#)

[Wiring Diagram](#)

## CCL-2 ab Serien-Nr.: H14114

- 11mm Plastpotis werden 16mm Metallpotis, CCL-VV neu
- Zusätzlicher Hornabschalter, CCL-PA neu
- Alles 2 Ebenenleiterplatten, durchkontaktiert

***Achtung ! Die Baugruppen (Leiterplatten) ab S-Nr:H14114 sind mit älteren nicht austauschbar.***

[PreAmp schematic](#)

[PowerAmp schematic](#)

[Connectors schematic](#)

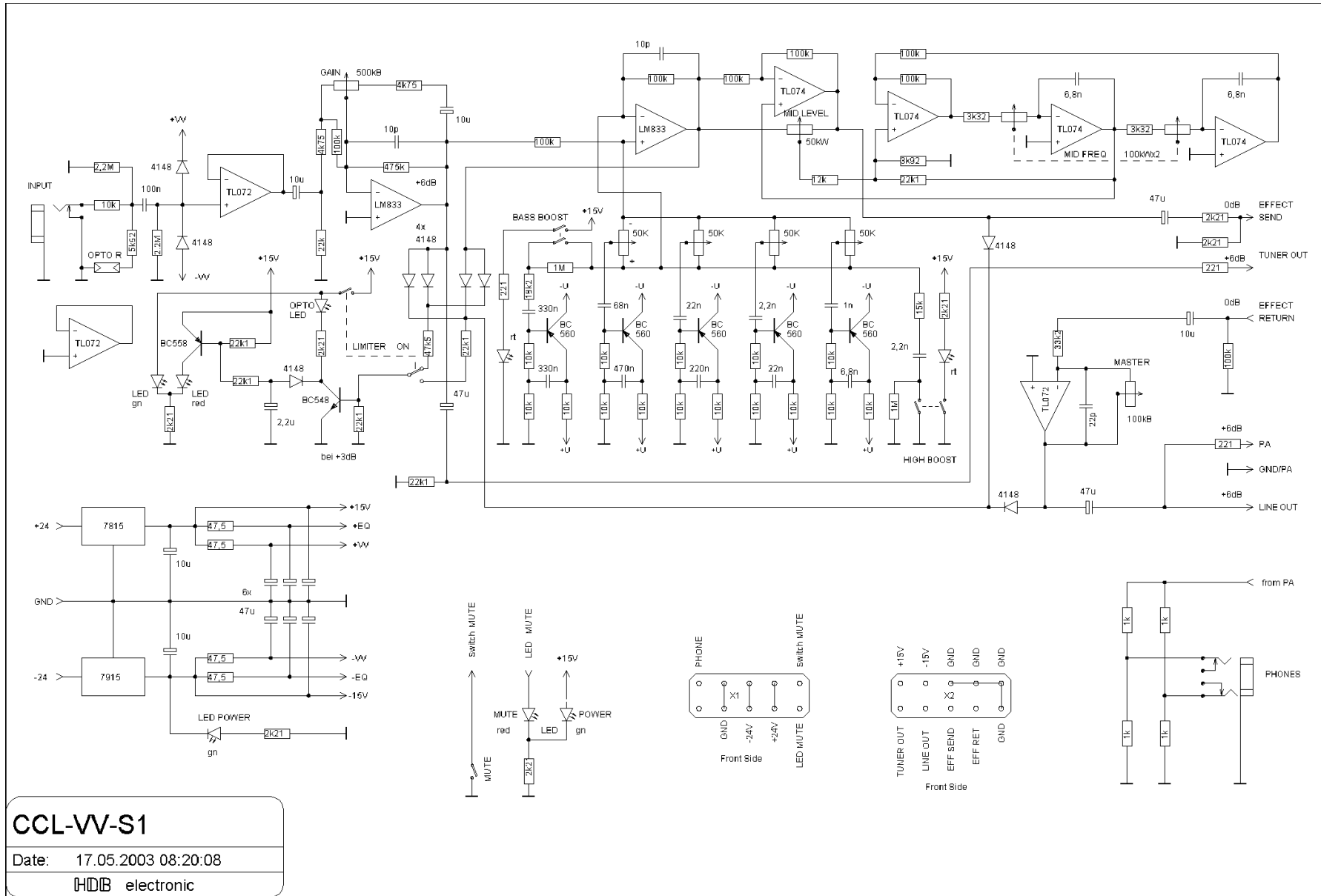
[Schematic Diagram](#)

[PreAmp board](#)

[PowerAmp board](#)

[Connectors board](#)

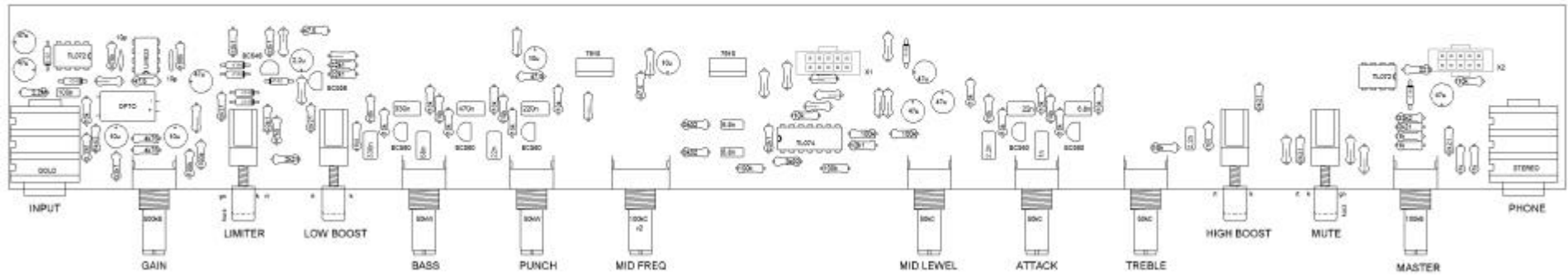
[Wiring Diagram](#)

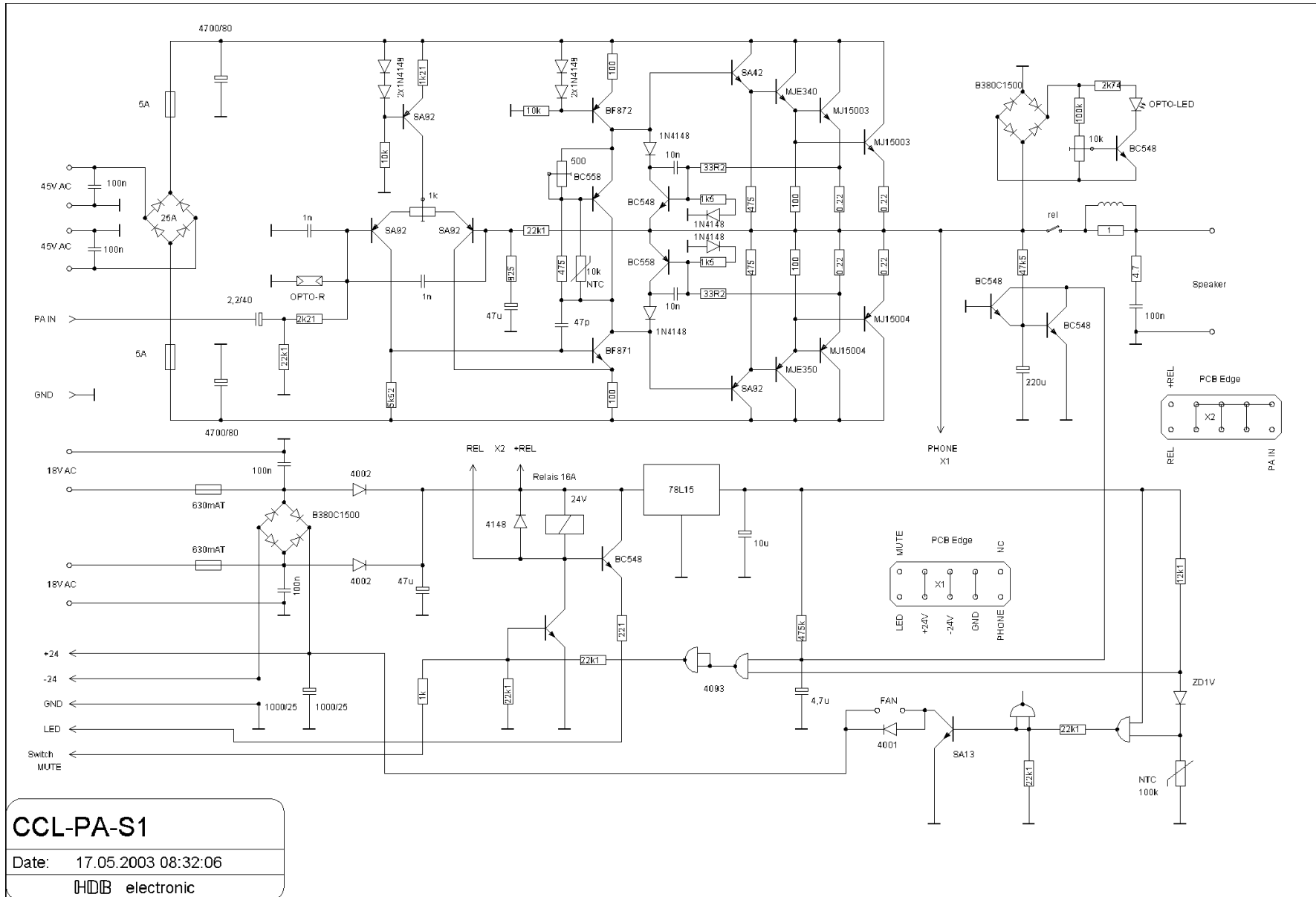


CCL-VV-B1

Draw: 16.05.2003 14:25:17

HDB electronic

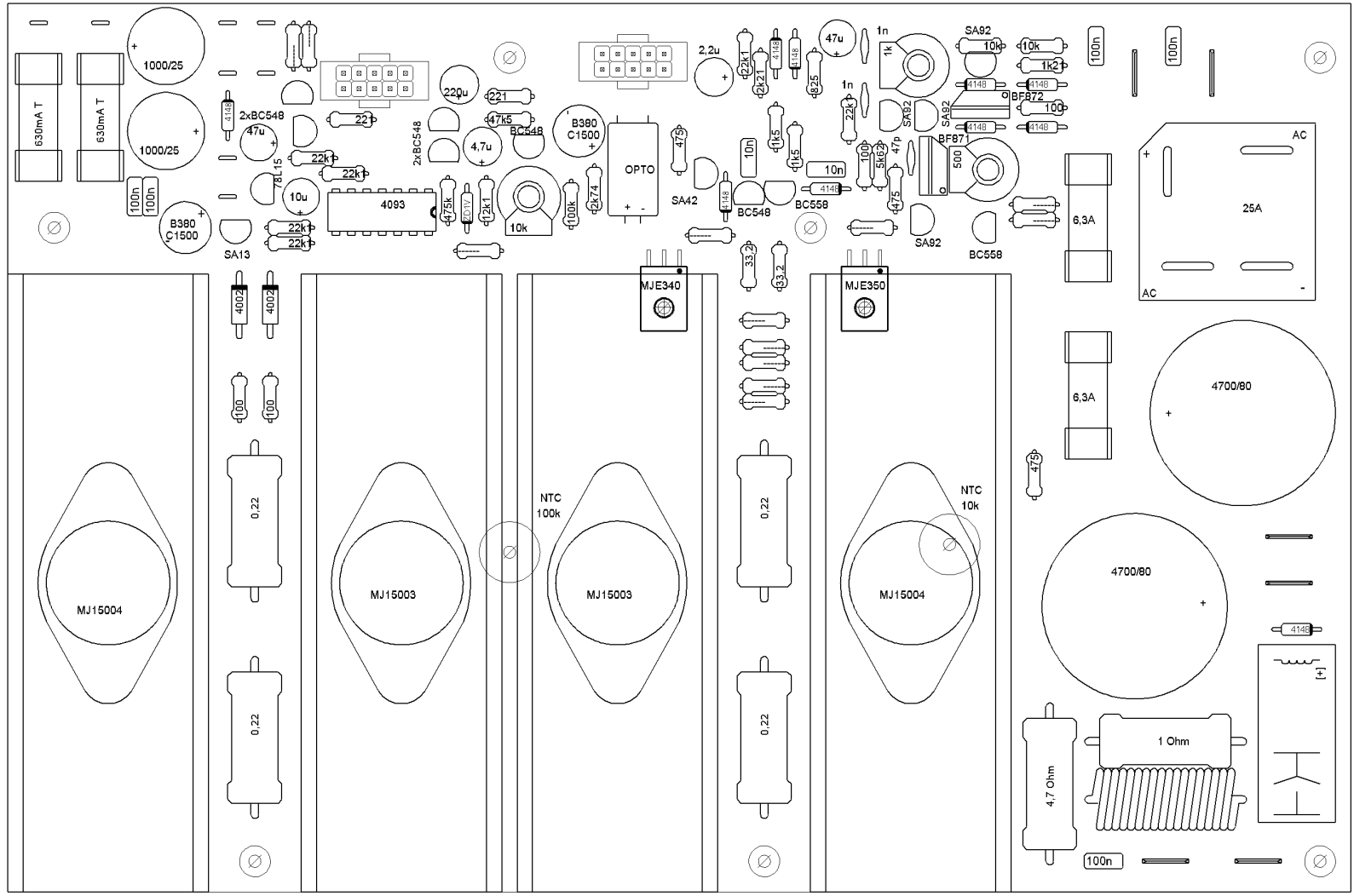




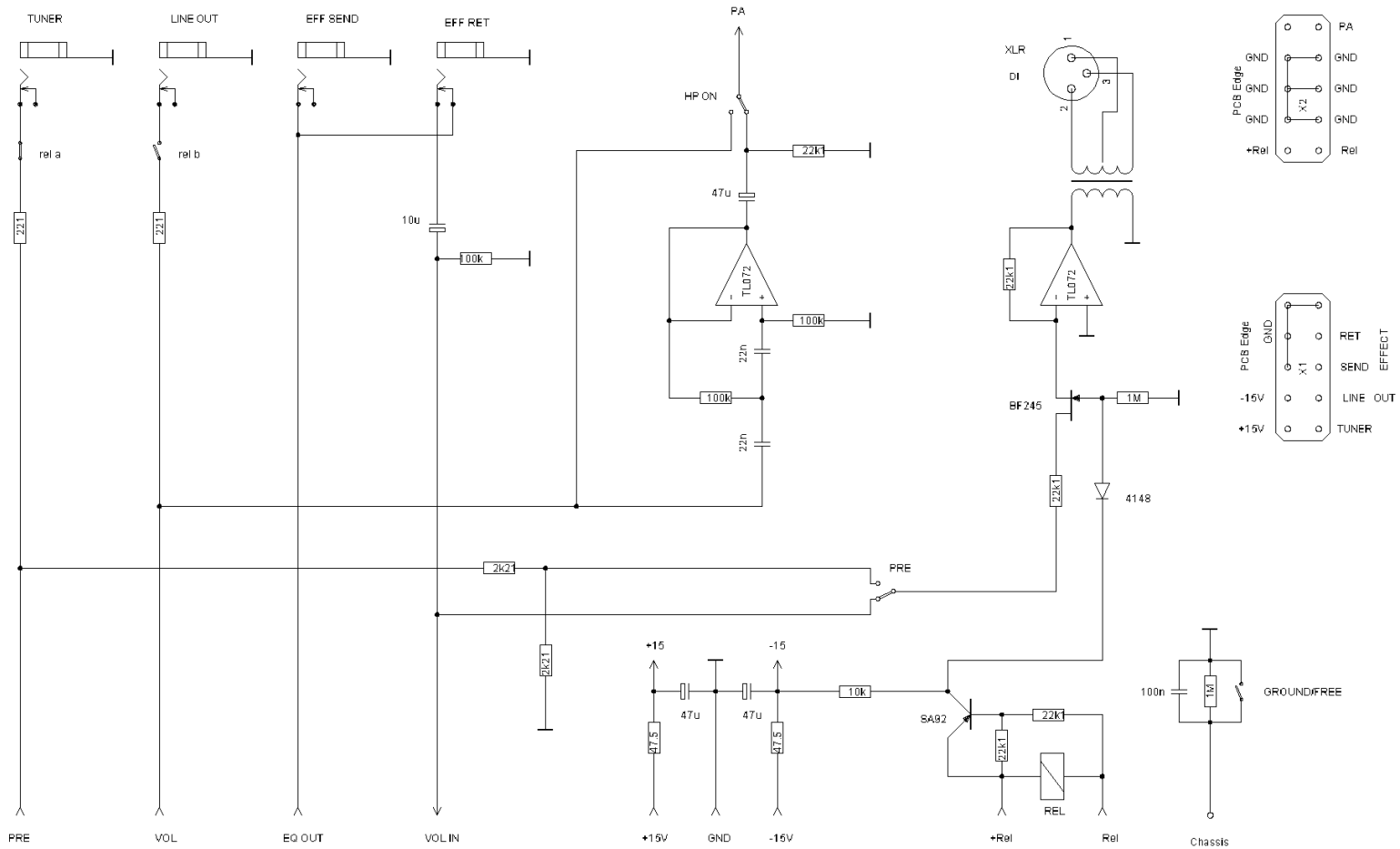
# CCL-PA-S1

Date: 17.05.2003 08:32:06

HIDB electronic



**CCL-PA-B1**  
 Draw: 16.05.2003 14:24:54  
**HDB electronic**



CCL-BU-S1

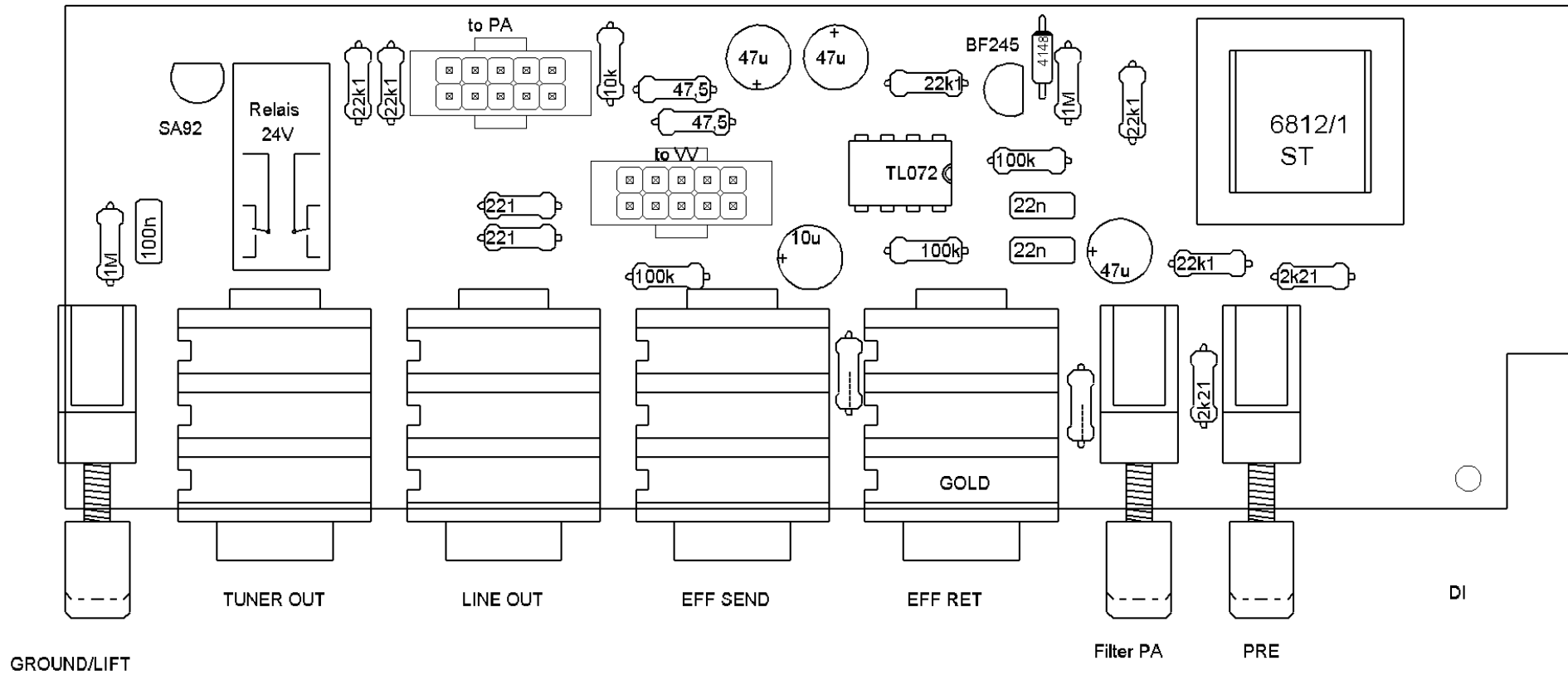
Date: 17.05.2003 08:32:19

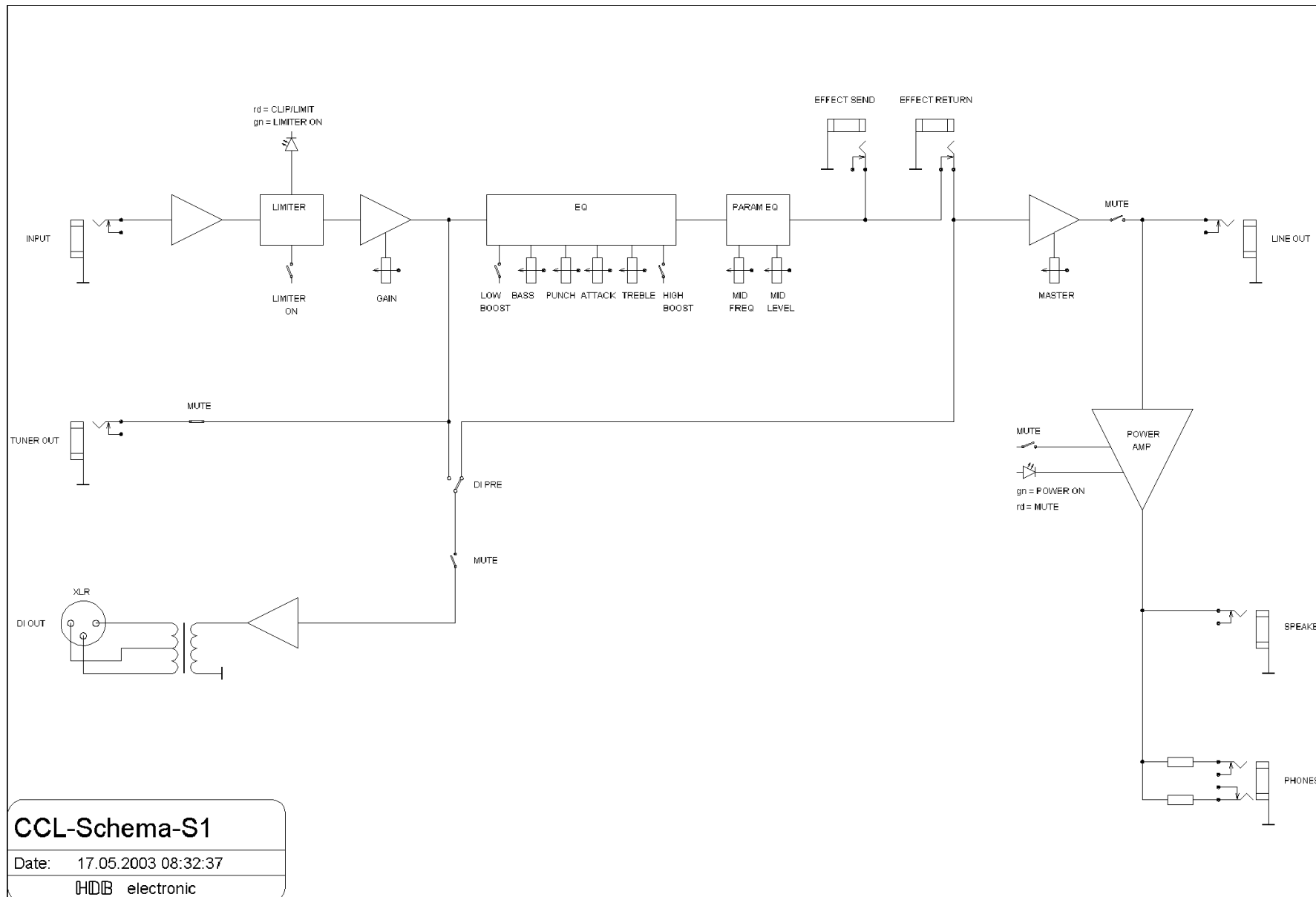
HIDB electronic

# CCL-BU-B1

Draw: 16.05.2003 14:24:06

HDB electronic





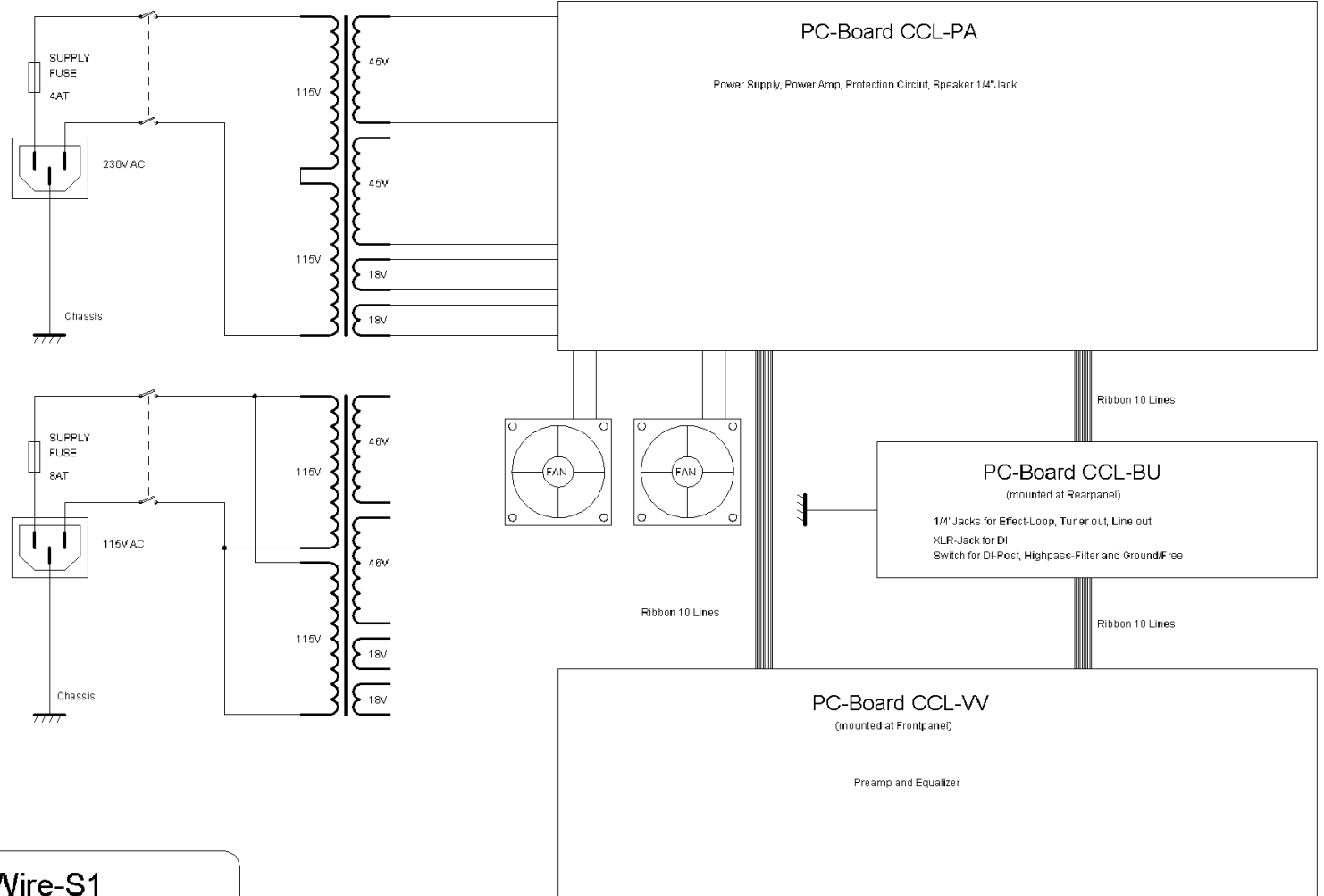
CCL-Schema-S1

Date: 17.05.2003 08:32:37

HIDB electronic



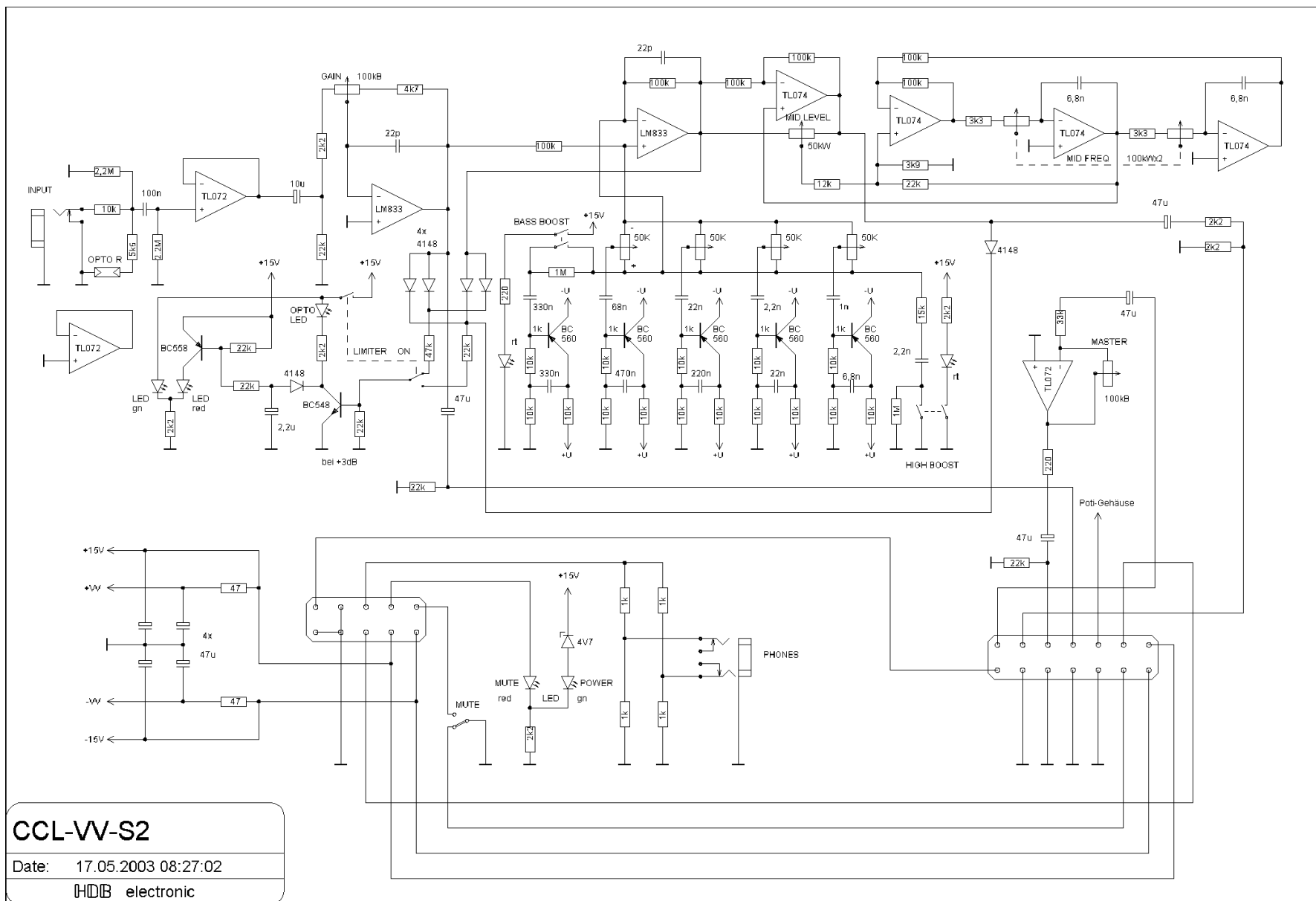
**POWER  
TRANSFORMER**



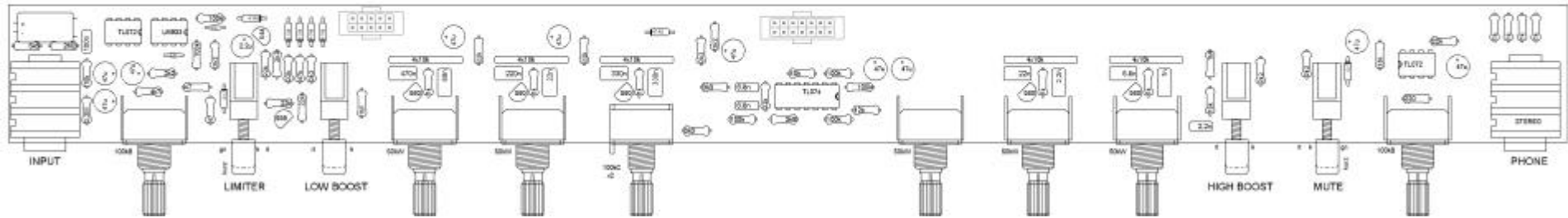
**CCL-Wire-S1**

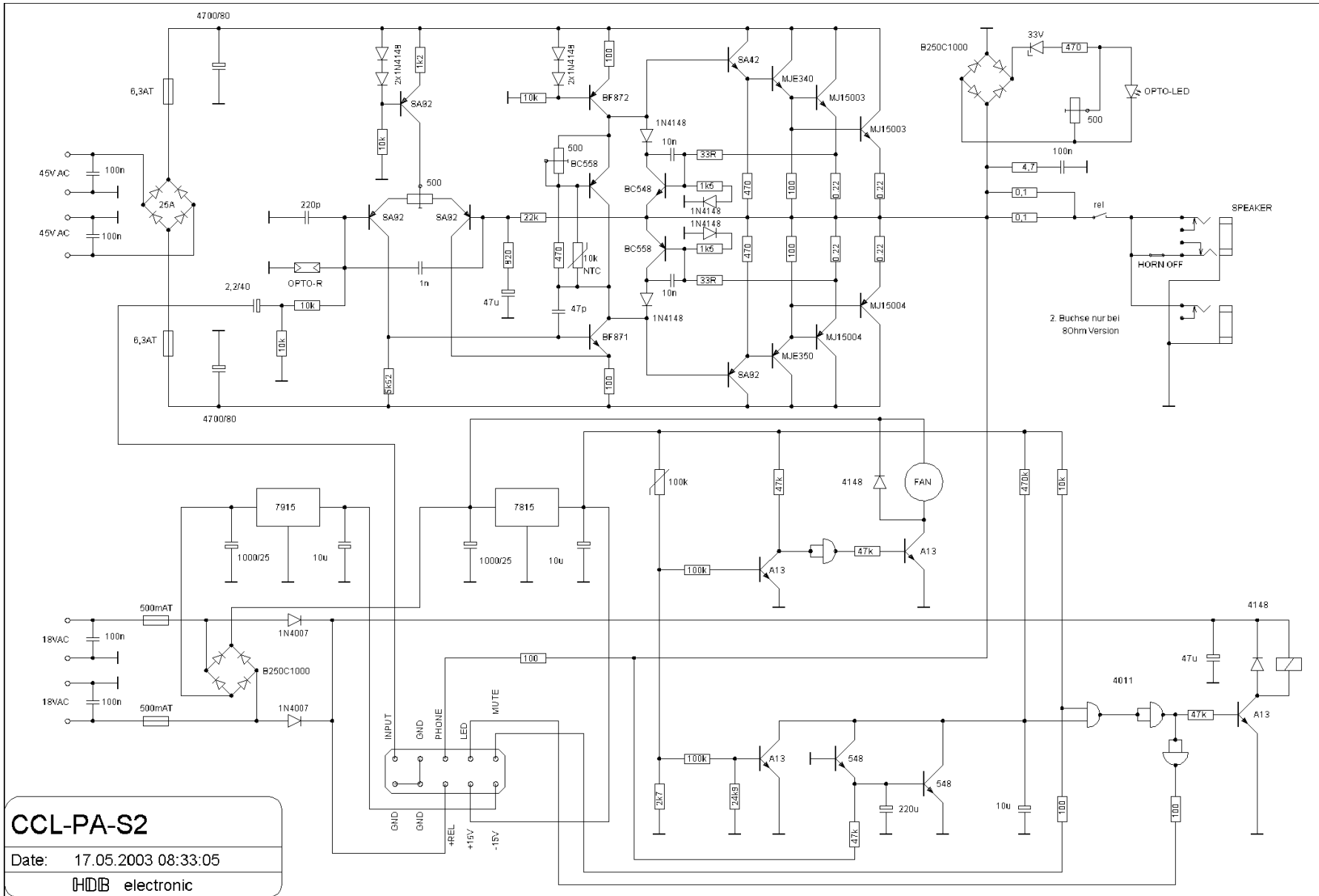
Date: 17.05.2003 08:32:50

HIDB electronic



CCL-VV-B2  
Draw: 16.05.2003 14:22:35  
HOB electronic

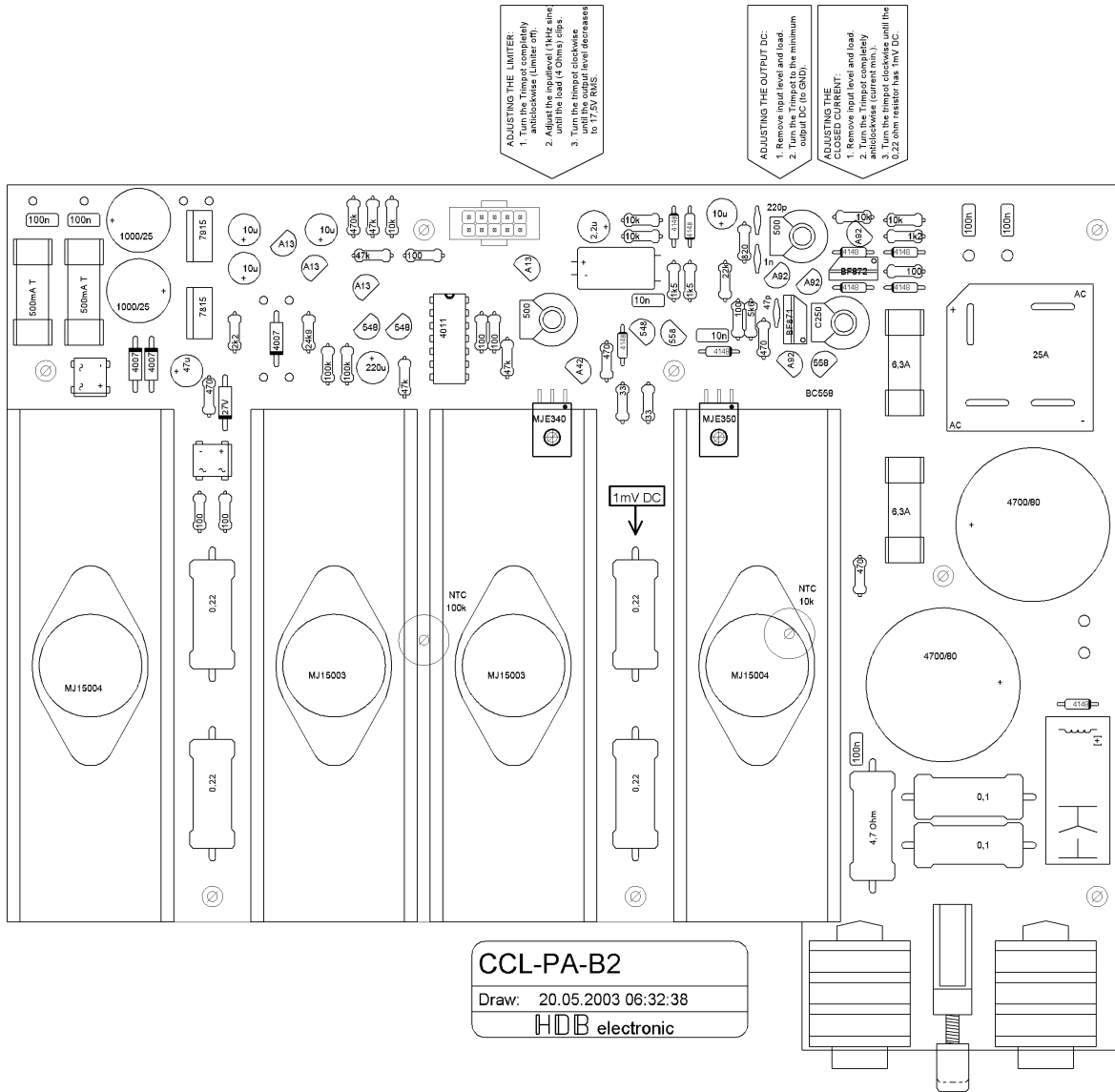




**CCL-PA-S2**

Date: 17.05.2003 08:33:05

HIDB electronic

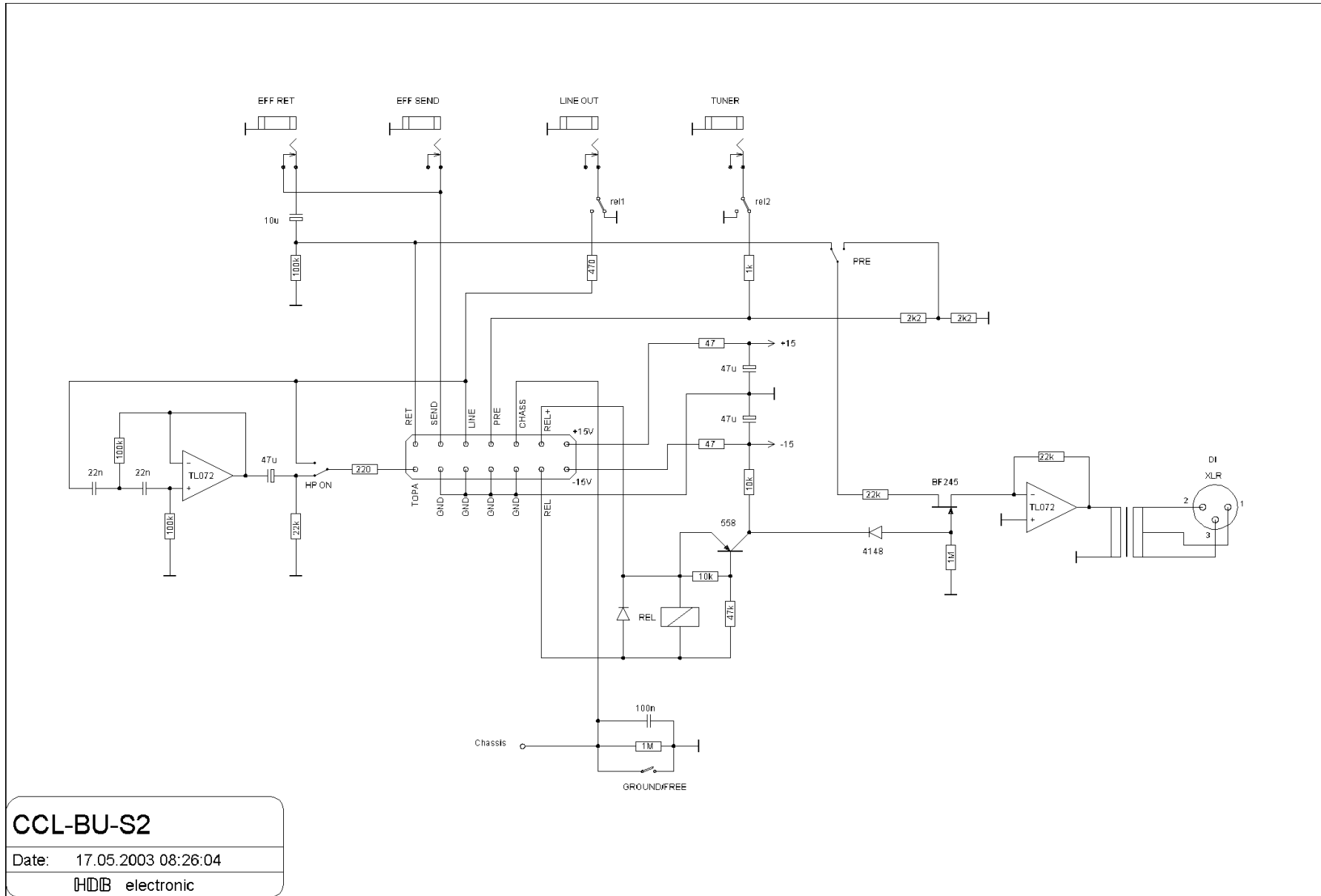


**ADJUSTING THE LIMITER:**  
 1. Turn the Trimpot completely clockwise until the load has a 10V DC across it.  
 2. Adjust the potentiometer (40k clips) until the load (4 Ohms) clips.  
 3. Turn the trimpot clockwise until the output level increases to 100mV RMS.

**ADJUSTING THE OUTPUT DC:**  
 1. Remove input level and load.  
 2. Turn the Trimpot to the minimum output DC (to GND).

**ADJUSTING THE CLOSED CURRENT:**  
 1. Remove input level and load.  
 2. Turn the Trimpot completely clockwise until the load has 100mV DC across it.  
 3. Turn the trimpot clockwise until the 0.22 Ohm resistor has 1mV DC.

**CCL-PA-B2**  
 Draw: 20.05.2003 06:32:38  
**HOB electronic**



**CCL-BU-S2**

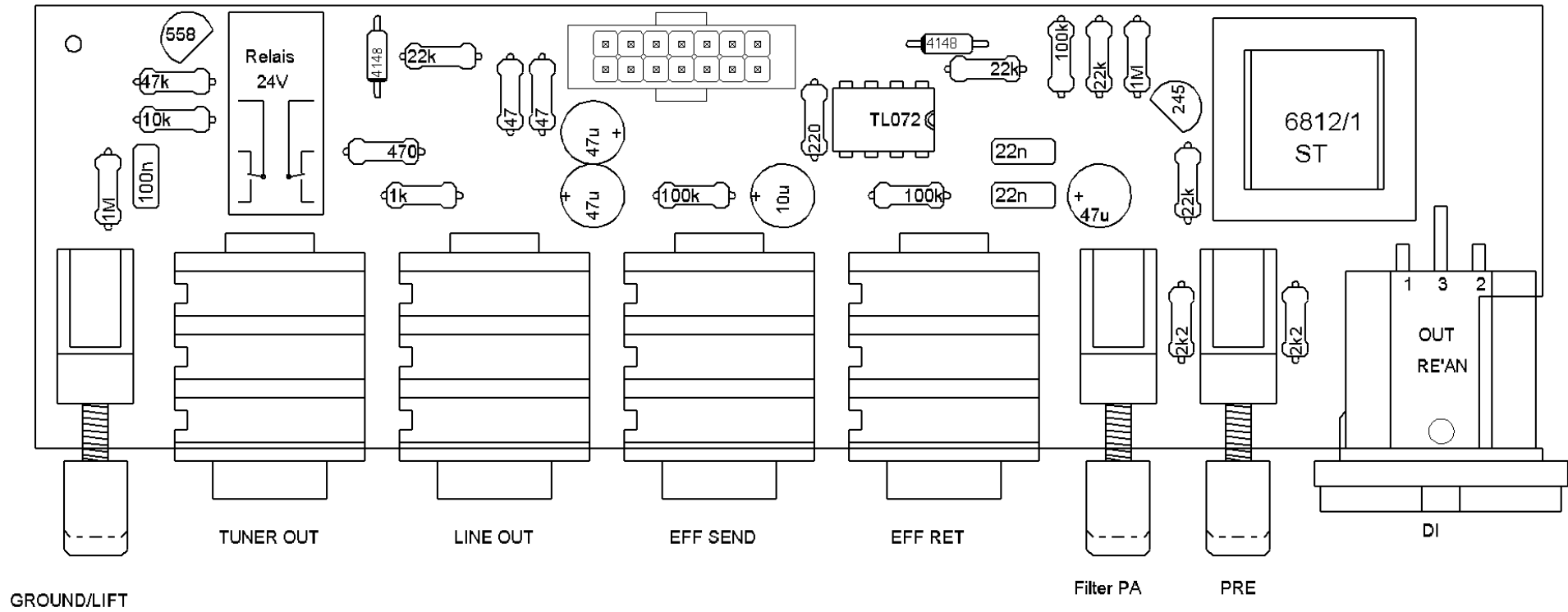
Date: 17.05.2003 08:26:04

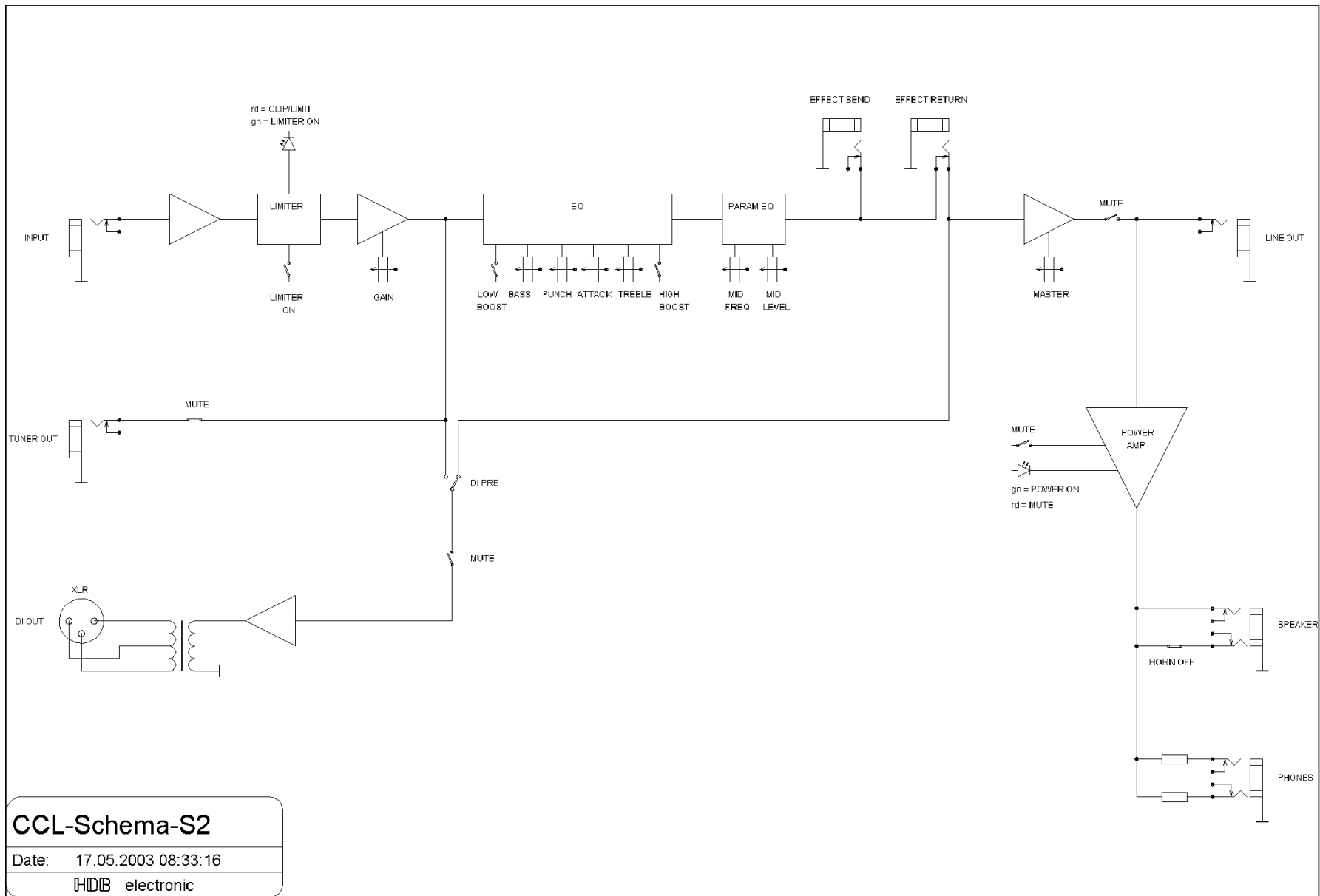
HIDB electronic

# CCL-BU-B2

Draw: 16.05.2003 14:21:55

HDB electronic



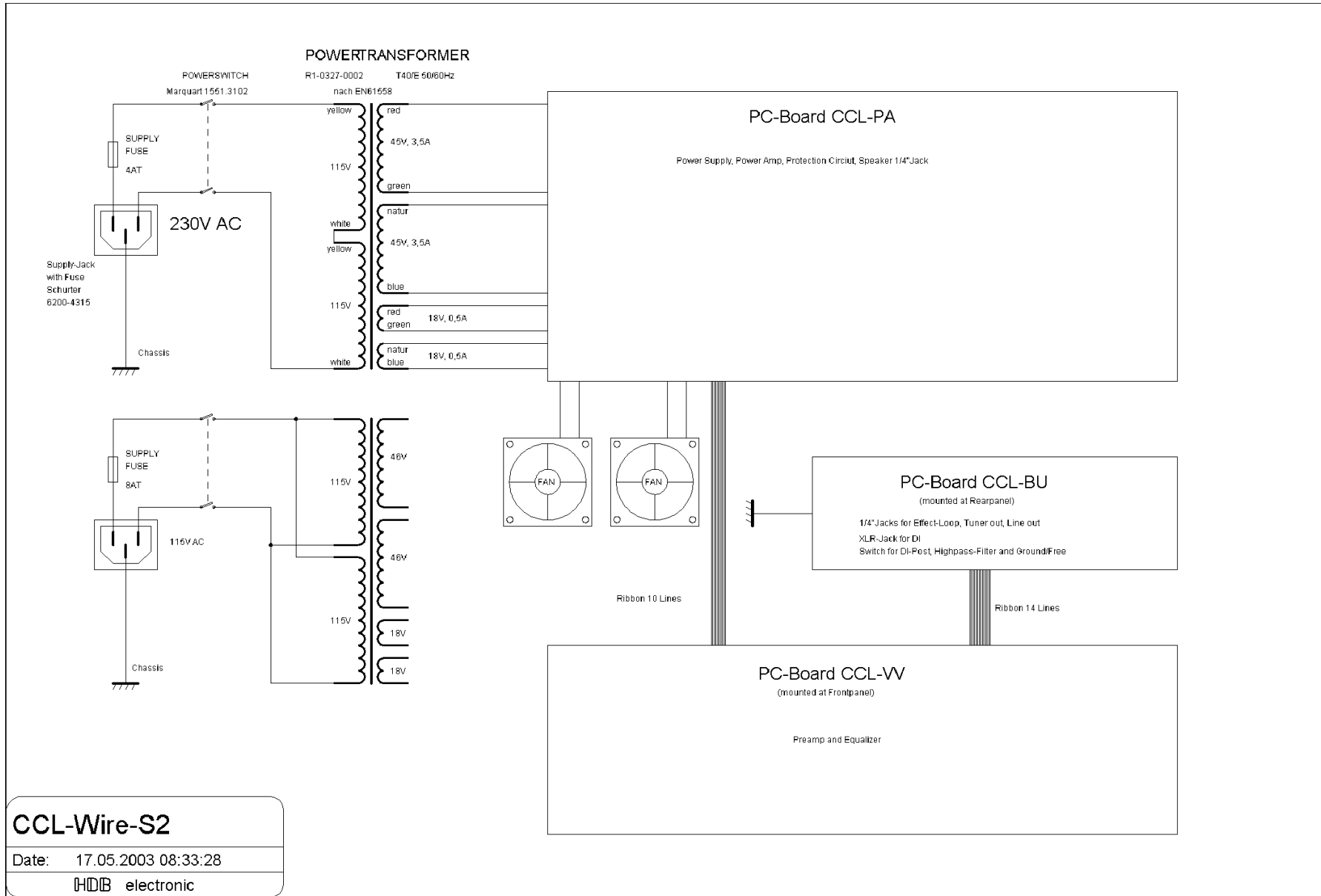


**CCL-Schema-S2**

Date: 17.05.2003 08:33:16

HIDB electronic





**CCL-Wire-S2**

Date: 17.05.2003 08:33:28

HIDB electronic

# CCL1

## Front

### Regler

GAIN		Poti 11mm B500K
BASS	X WA 0003	Poti 11mm RK11K112-F15-W50k-C
PUNCH	X WA 0003	Poti 11mm RK11K112-F15-W50k-C
MID FREQ.	X WA 0005	Poti 14mm RK14K122-F15-C100Kx2
MID LEVEL	X WA 0003	Poti 11mm RK11K112-F15-W50k-C
ATTACK	X WA 0003	Poti 11mm RK11K112-F15-W50k-C
TREBLE	X WA 0003	Poti 11mm RK11K112-F15-W50k-C
MASTER	X WA 0006	Poti 11mm RK11K112-F15-B100K

### Schalter

LIMITER	X WA 0050	Tastenschalter 2pol. rastend
LOW BOOST	X WA 0050	Tastenschalter 2pol. rastend
HIGH BOOST	X WA 0050	Tastenschalter 2pol. rastend
MUTE	X WA 0050	Tastenschalter 2pol. rastend

### LED's

CLIP/LIMIT	X WA 0095	LED 3mm rt/gn
LOW BOOST	X WA 0090	LED 3mm rot
HIGH BOOST	X WA 0090	LED 3mm rot
ON/MUTE	X WA 0095	LED 3mm rt/gn

### Buchsen

INPUT	X WA 0070	Klinkenb. mono
PHONES	X WA 0071	Klinkenb. stereo

**Rückseite****Schalter**

POWER	X WA 0055	Wippensch. Marquardt 1552.3102 2pol. aus 16A sw
GROUND LIFT	X WA 0050	Tastenschalter 2pol. rastend
SUBSONIC	X WA 0050	Tastenschalter 2pol. rastend
DI PRE/POST	X WA 0050	Tastenschalter 2pol. rastend

**Buchsen**

MAINS IN	X WA 0081	Gerätestecker Schurter 6200-4315
TUNER	X WA 0070	Klinkenb. mono
LINE OUT	X WA 0070	Klinkenb. mono
EFF. SEND	X WA 0070	Klinkenb. mono
EFF. RET.	X WA 0070	Klinkenb. mono
DI OUT	X WA 0073	XLR-Buchse Belton Male XLM-3PH
SPEAKER OUT	X WA 0070	Klinkenb. mono

**Power-Trans.**

X WA 0311	Power Trans. MJ 15003
X WA 0312	Power Trans. MJ 15004

**Elko's**

X WA 0323	Elko 4700/80 25x50 SN
-----------	-----------------------

**Netztrafo**

X WA 0152	Ringkerntrafo CCL
-----------	-------------------

**DI-Trafo**

X WA 0112	ÜP 4003 ohne Abschirmung
-----------	--------------------------

**Bedienknöpfe**

X WA 0351	Tasterknopf DT 7x9,5 sw A2,8
-----------	------------------------------

**Lüfter**

X WA 0295	DC-Lüfter KDE2406PTS1
-----------	-----------------------

**Baugruppen**

Buchsen	X WA 0267	CCL BU
PA	X WA 0202	CCL PA
VV	X WA 0233	CCL VV

