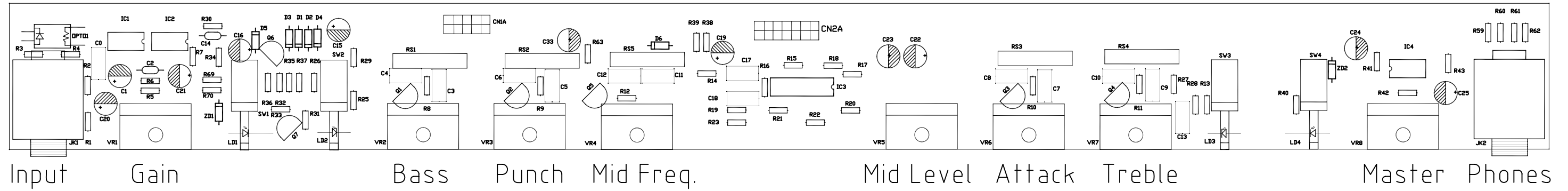
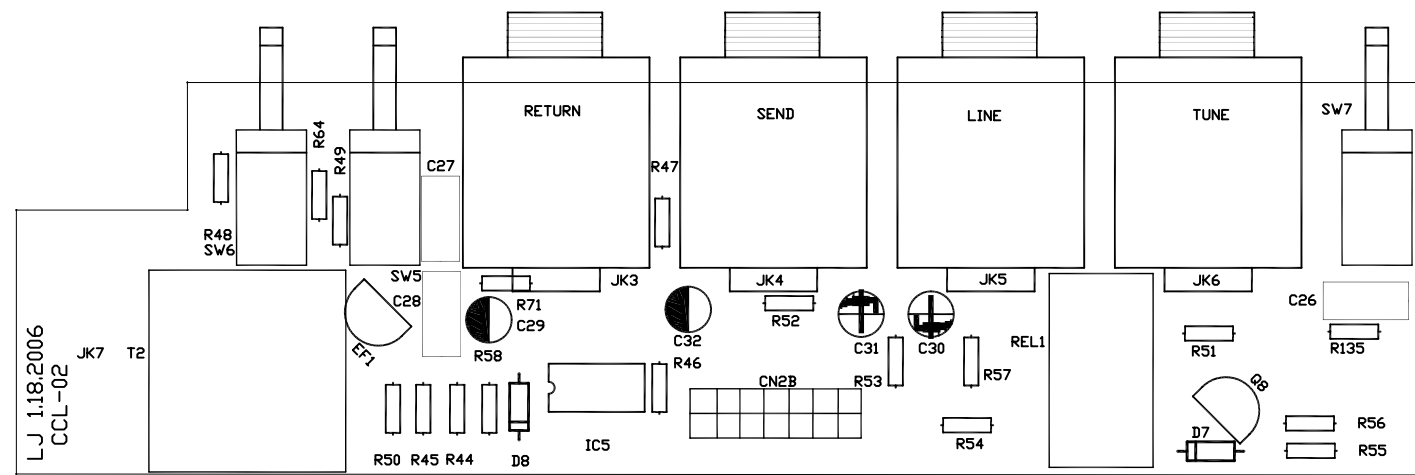


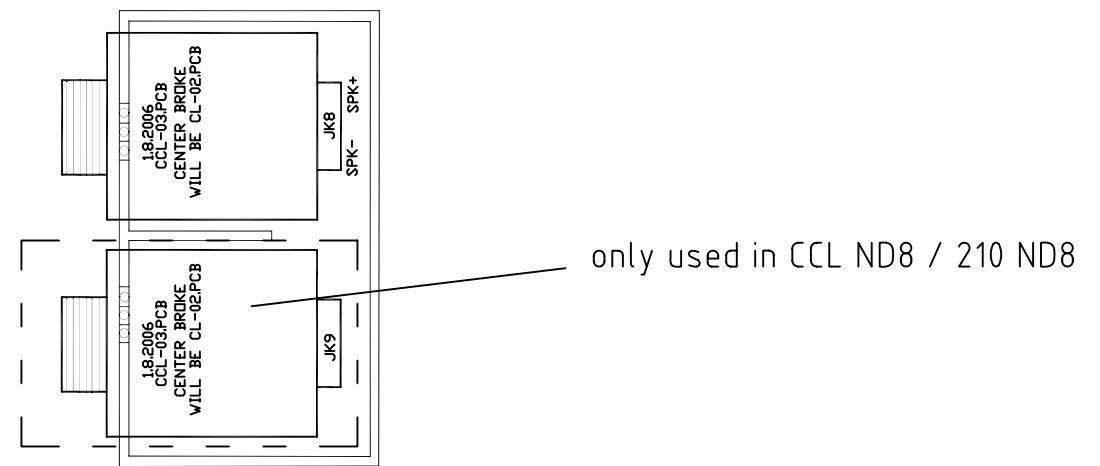
Front Control Board



Output Board



Speaker Output Board

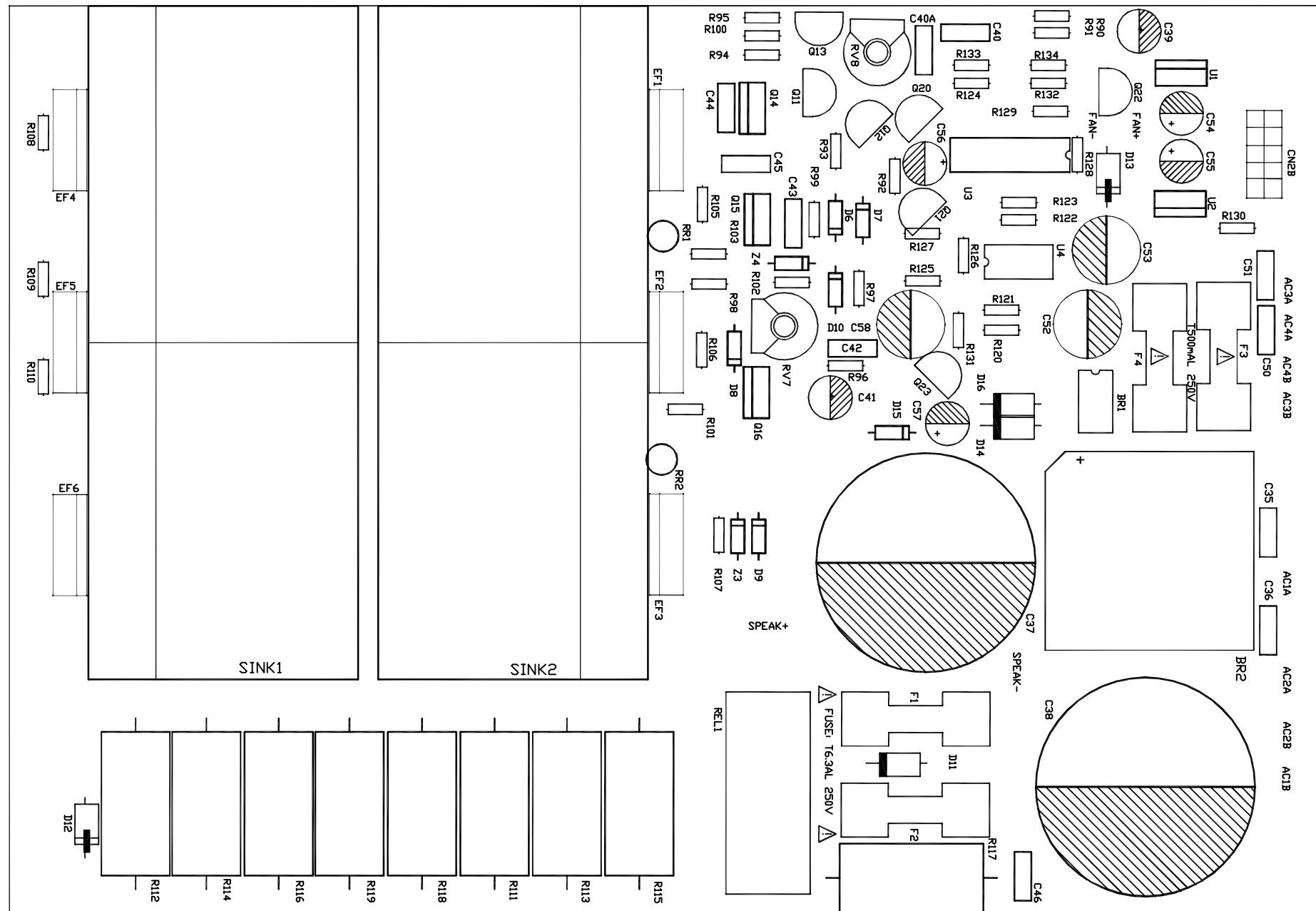


Warwick GmbH & Co Music Equipment KG
Gewerbegebiet Wohlhausen
D-08258 Markneukirchen
Tel. +49 (0) 37422 555 0
Fax. +49 (0) 37422 555 99

updated 24.01.2007

CCL ND4, CCL ND8, CCL 210 ND8
CCL-01.PCB, CCL-02.PCB, CCL-03.PCB

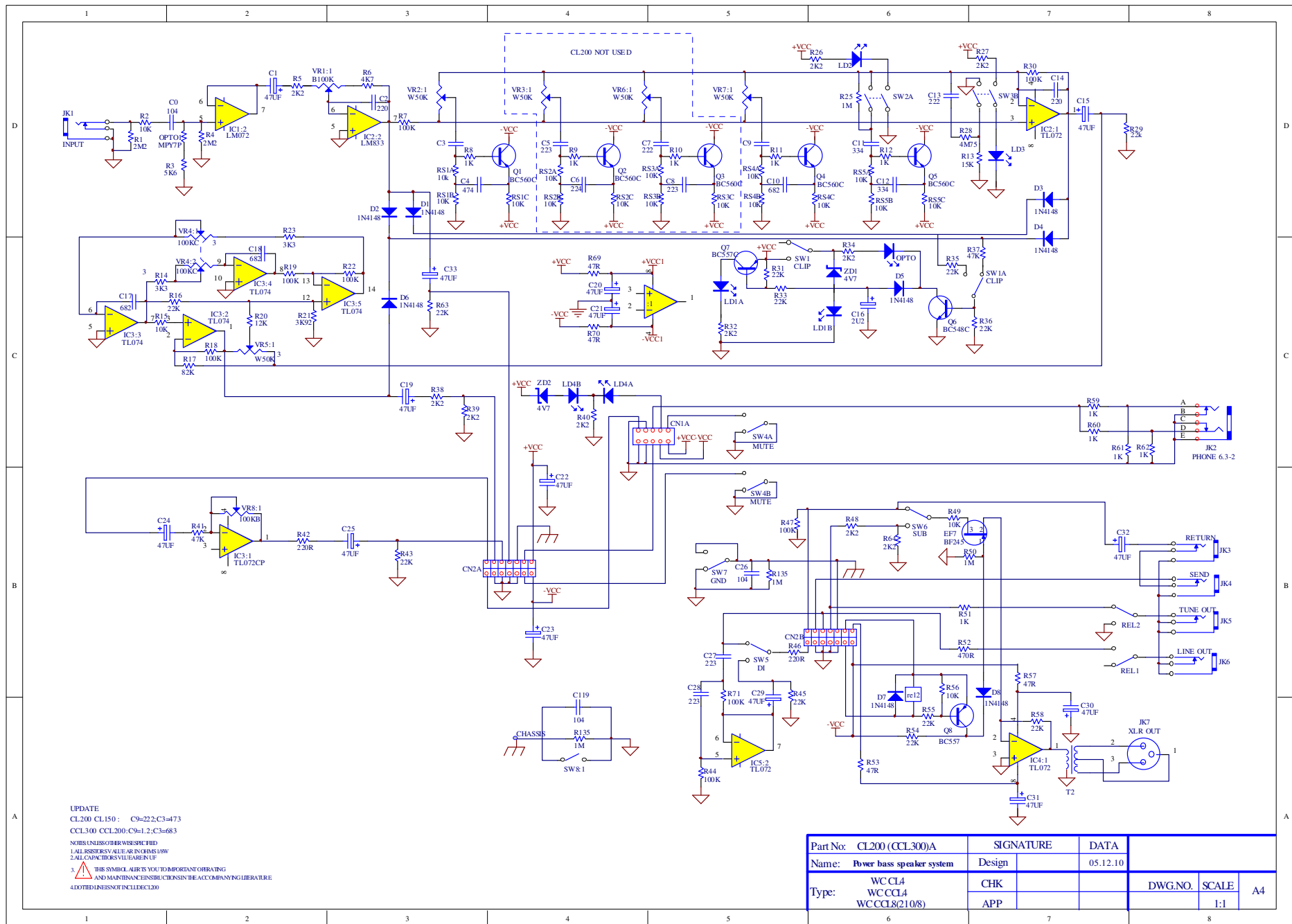
Amplifier Board



Warwick GmbH & Co Music Equipment KG
 Gewerbegebiet Wohlhausen
 D-08258 Markneukirchen
 Tel. +49 (0) 37422 555 0
 Fax. +49 (0) 37422 555 99

updated 24.01.2007

CCL ND4, CCL ND8, CCL 210 ND8
 Walk-PA



UPDATE
 CL200 CL150: C9=222,C3=473
 CCL300 CCL200:C9=1,2;C3=683
 NOBS UNLESS OTHERWISE SPEC'D
 1. ALL RESISTORS VALUE ARE IN OHMS UNW
 2. ALL CAPACITORS VALUE ARE IN UF
 3. THIS SYMBOL ALERTS YOU TO MOUNTING ORHATING
 AND MOUNTING IN THE CORRECT SENSE IN THE ACCOMPANYING LIBRARY FILE
 4. 07D IN DESIGN NOT IN FILE CL200

Part No:	CL200 (CCL300)A	SIGNATURE	DATA			
Name:	Power bass speaker system	Design	05.12.10	DWG.NO.	SCALE	A4
Type:	WCCL4 WCCL4 WCCCL8(210/8)	CHK				
		APP				