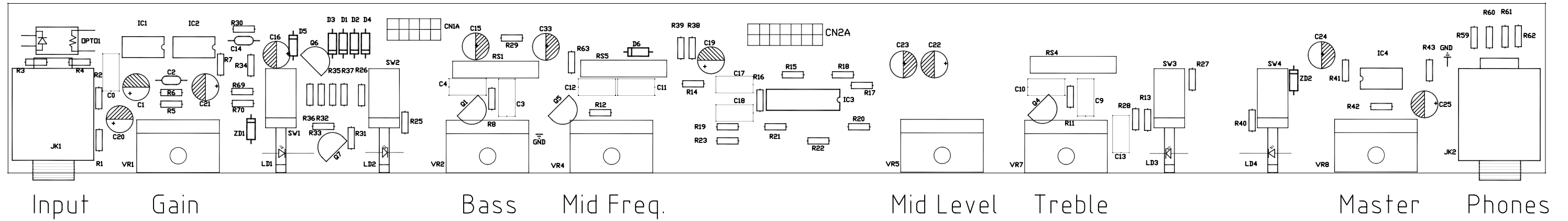
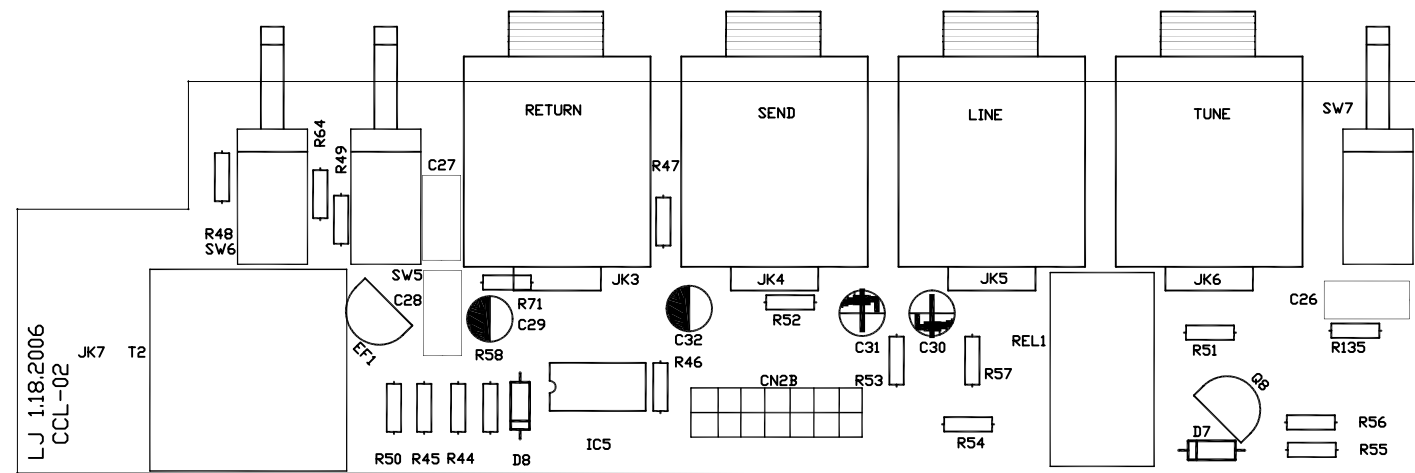


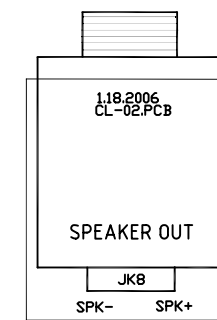
Front Control Board



Output Board



Speaker Output Board

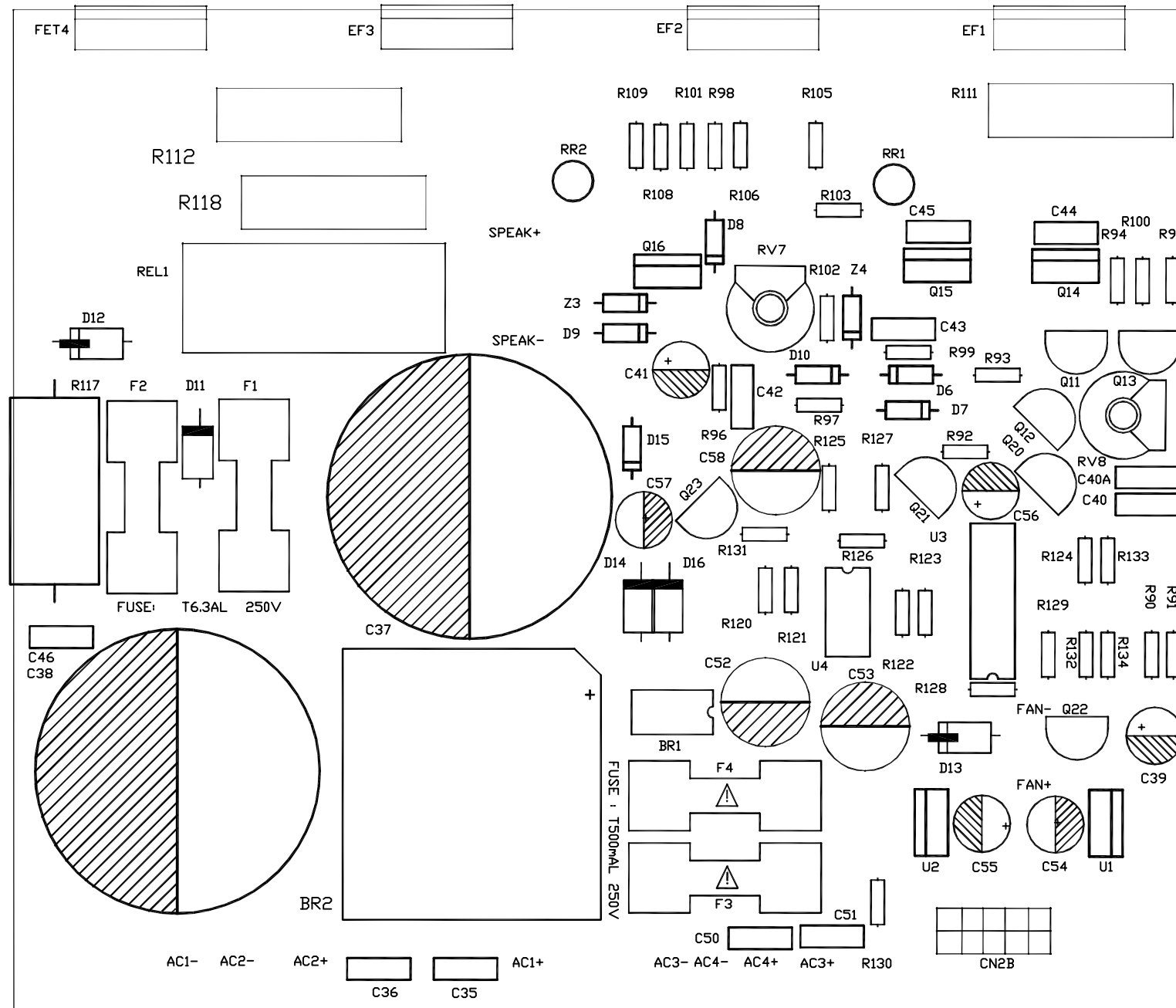


Warwick GmbH & Co Music Equipment KG  
Gewerbegebiet Wohlhausen  
D-08258 Markneukirchen  
Tel. +49 (0) 37422 555 0  
Fax. +49 (0) 37422 555 99

updated      24.01.2007

**CL ND4**  
CL-01.PCB, CCL-02.PCB, CL-02.PCB

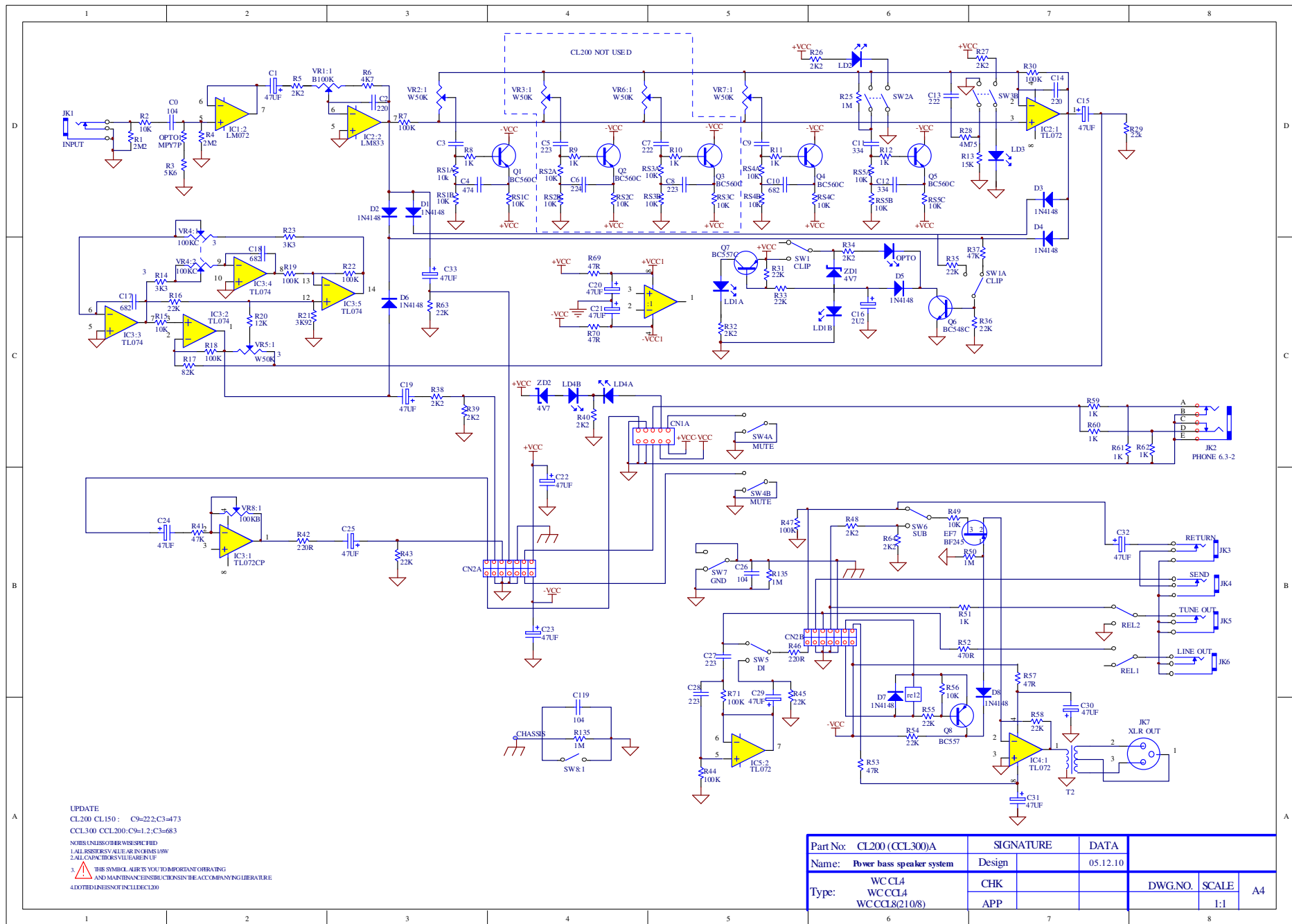
# Amplifier Board



Warwick GmbH & Co Music Equipment KG  
 Gewerbegebiet Wohlhausen  
 D-08258 Markneukirchen  
 Tel. +49 (0) 37422 555 0  
 Fax. +49 (0) 37422 555 99

updated 24.01.2007

CL ND4  
 TM200-03



UPDATE  
 CL200 CL150: C9=222,C3=473  
 CCL300 CCL200:C9=1,2;C3=683  
 NOBS UNLESS OTHERWISE SPECIFIED  
 1. ALL RESISTORS VALUE ARE IN OHMS UNLESS  
 2. ALL CAPACITORS VALUE ARE IN UF  
 3. THIS SYMBOL ALERTS YOU TO MOUNTING ORHATING  
 AND MOUNTING IN THE CORRECT POSITION IN THE ACCOMPANYING LIBRARY FILE  
 4. 07D IN DESIGN NOT IN FILE CL200

Part No:	CL200 (CCL300)A	SIGNATURE	DATA			
Name:	Power bass speaker system	Design	05.12.10	DWG.NO.	SCALE	A4
Type:	WCCL4 WCCL4 WCCCL8(210/8)	CHK				
		APP				