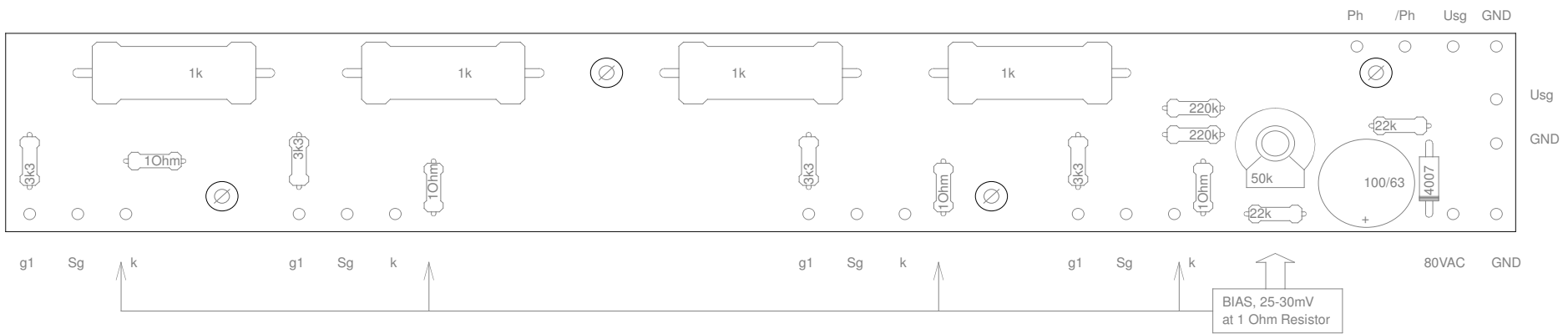
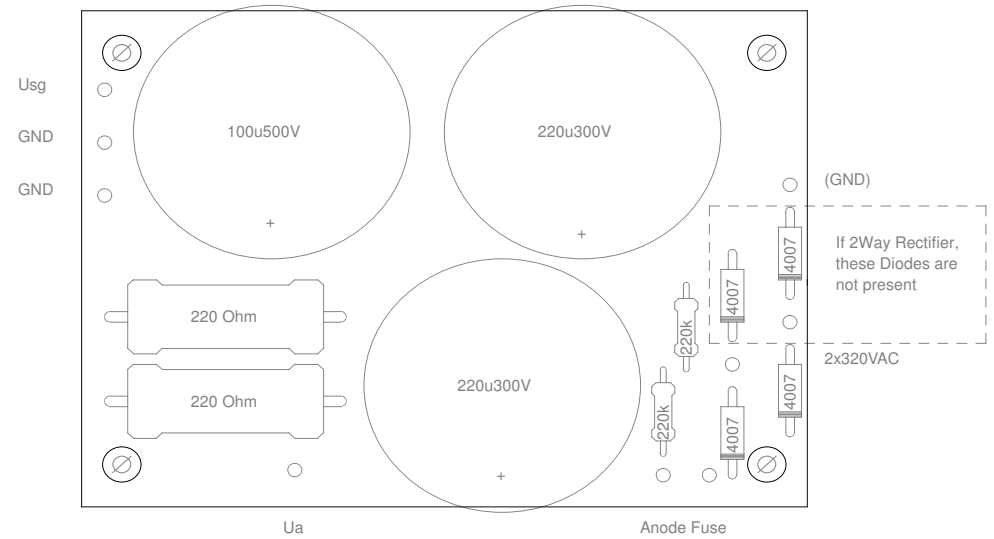


**Cobra-DIV-B1**  
 Draw: 17.04.2003 06:28:50  
 HDB electronic

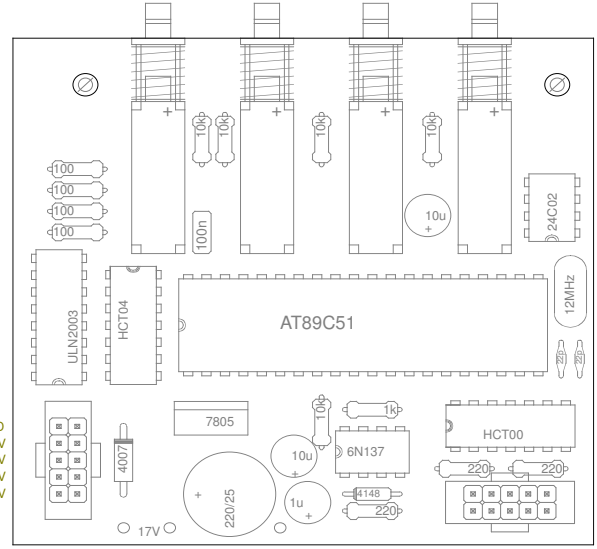
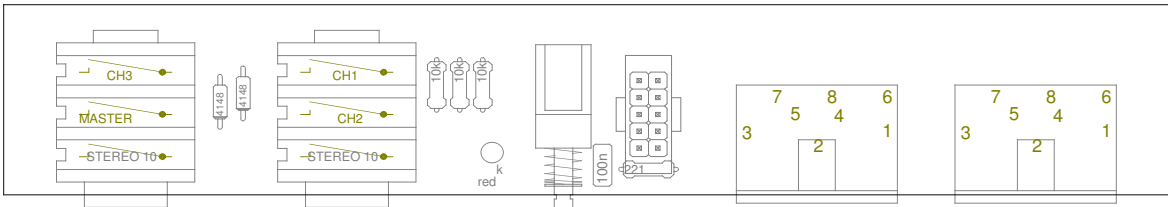


# Cobra-MIDI-B1

Draw: 16.04.2003 15:21:06

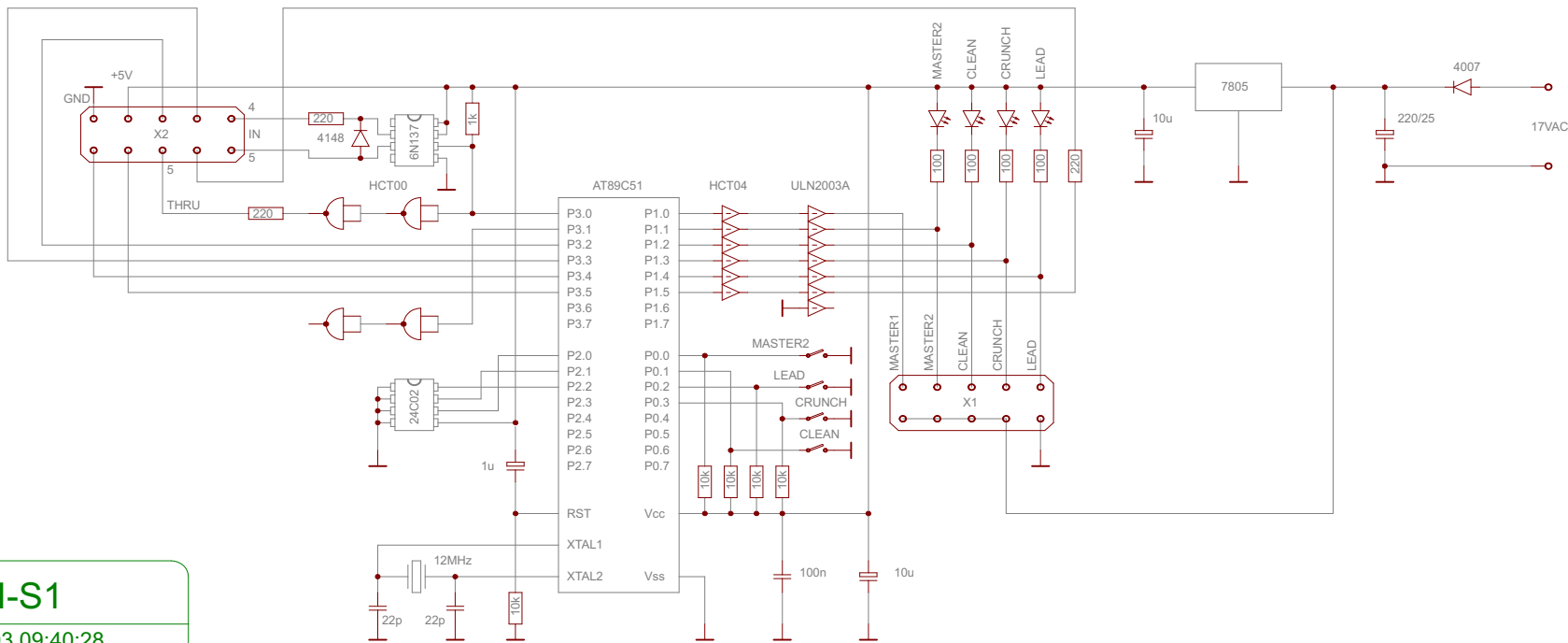
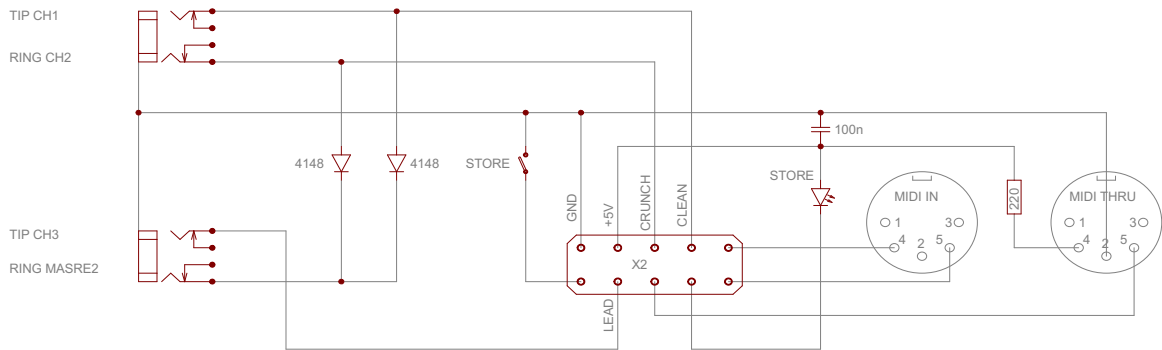
HDB electronic

IN4 IN5  
 CH1 LED  
 CH2 THRU5  
 +5V CH3  
 GND SAVE



LEAD GND  
 CHRUNCH +24V  
 CLEAN +24V  
 MASTER2 +24V  
 MASTER1 +24V

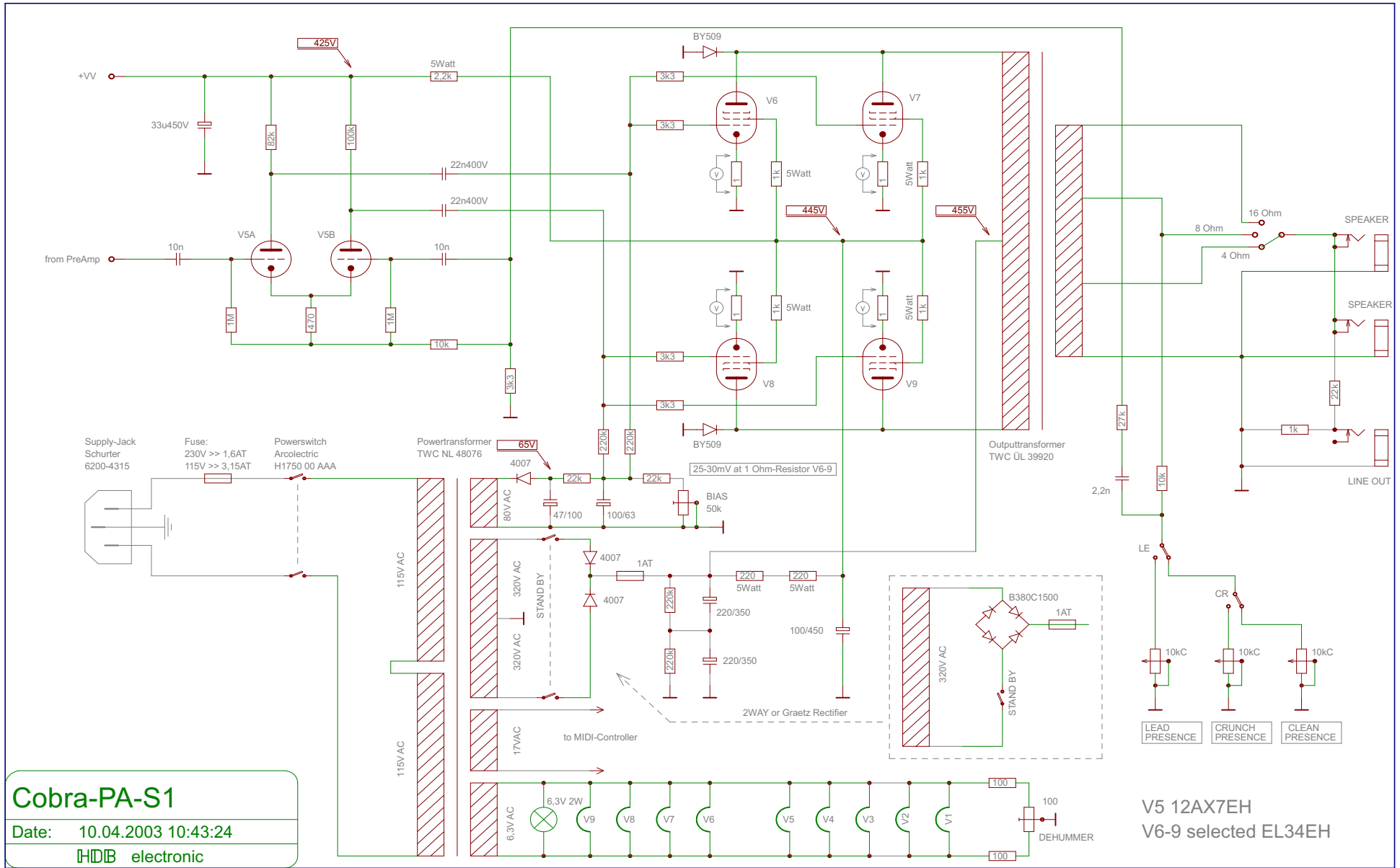
SAVE GND  
 CH3 +5V  
 THRU5 CH2  
 LED CH1  
 IN5 IN4



## Cobra-MIDI-S1

Date: 31.03.2003 09:40:28

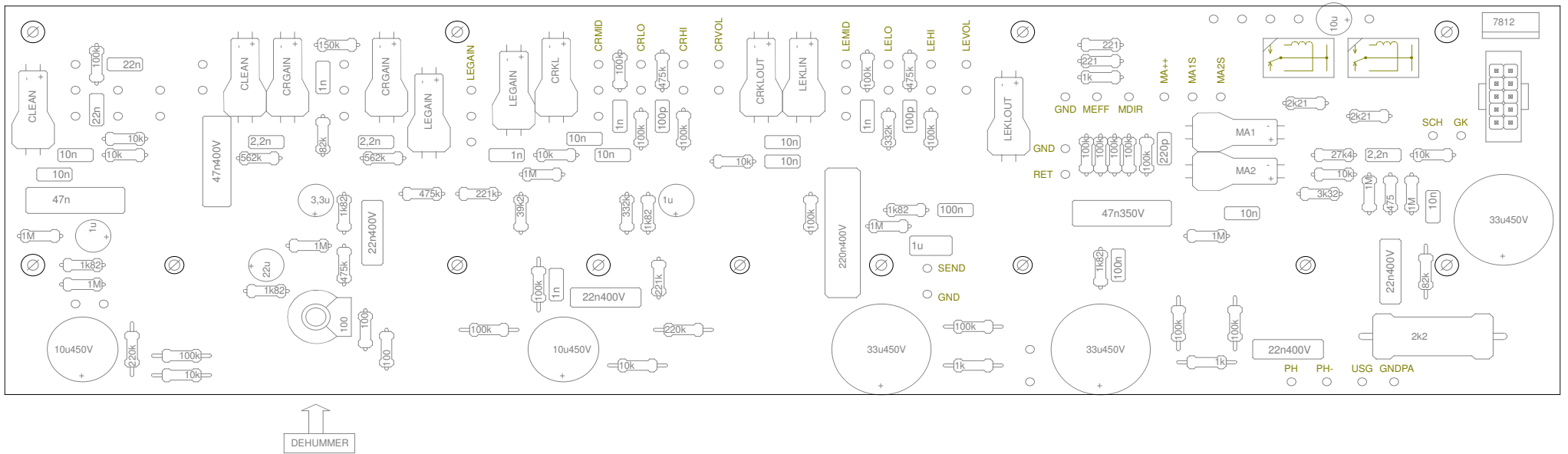
HDB electronic

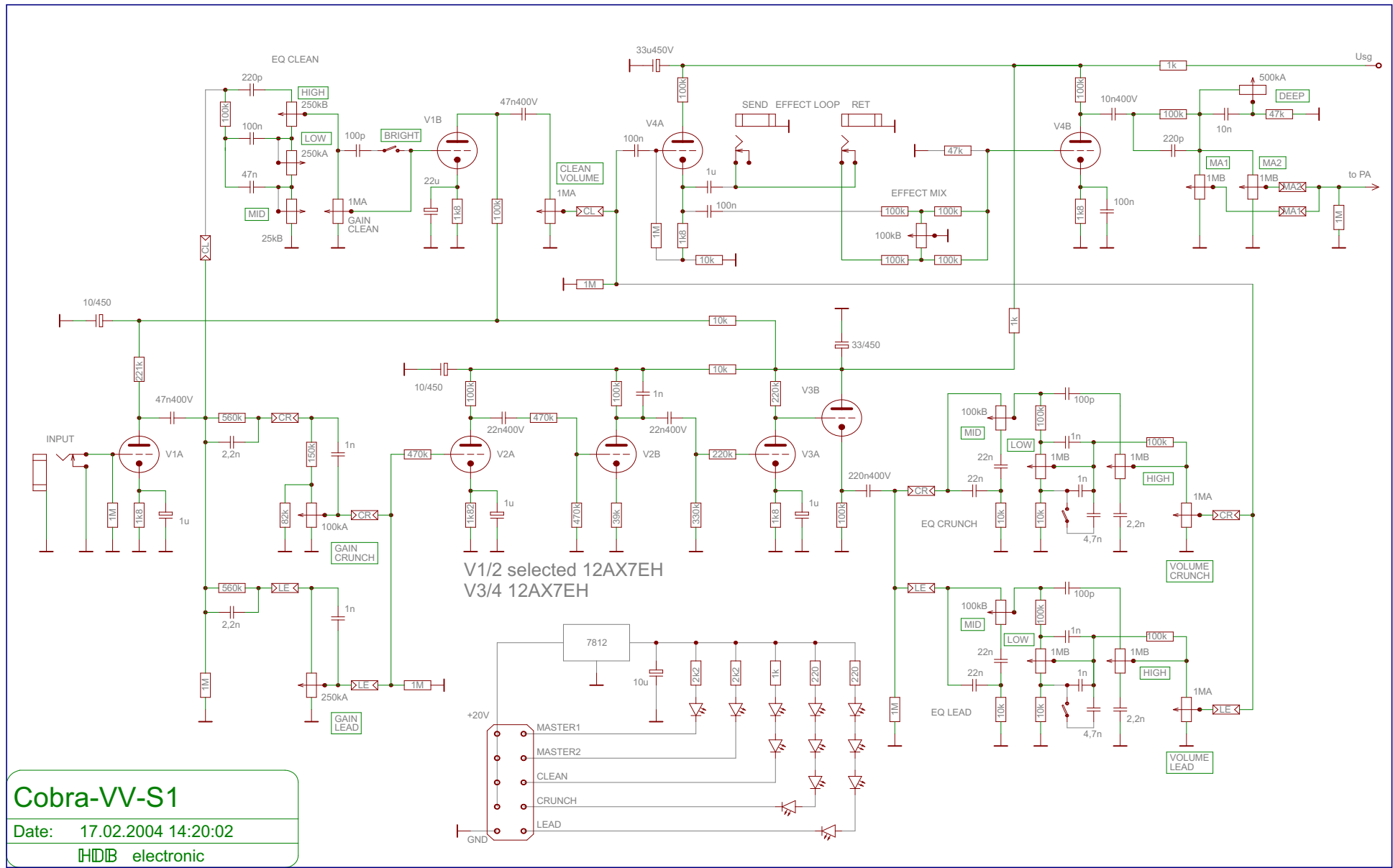


# Cobra-VV-B1

Draw: 16.04.2003 15:22:22

HDB electronic





# Cobra-VV-S1

Date: 17.02.2004 14:20:02

HDB electronic