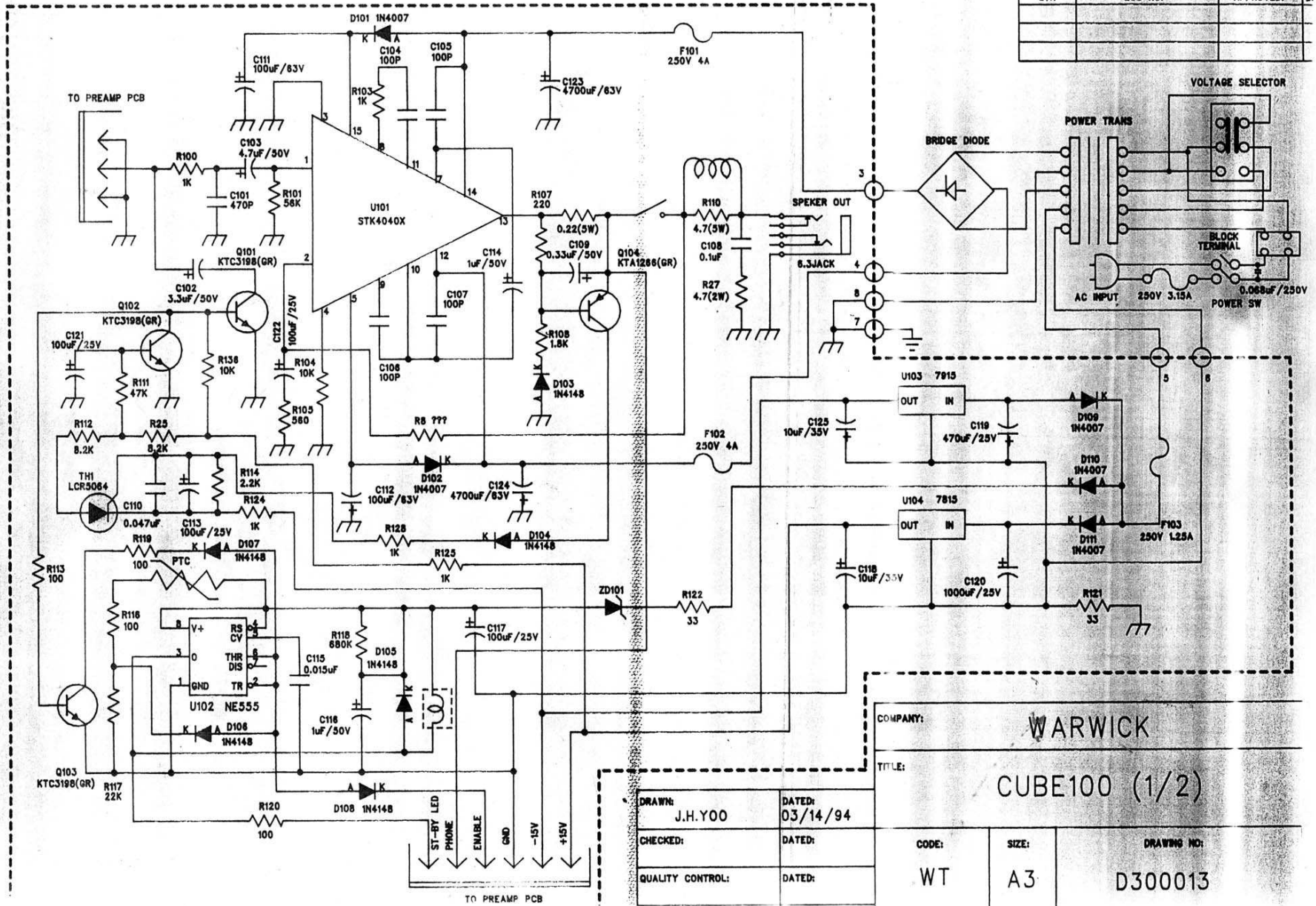


REVISION RECORD		
LTR	ECC NO:	APPROVED:



COMPANY: **WARWICK**

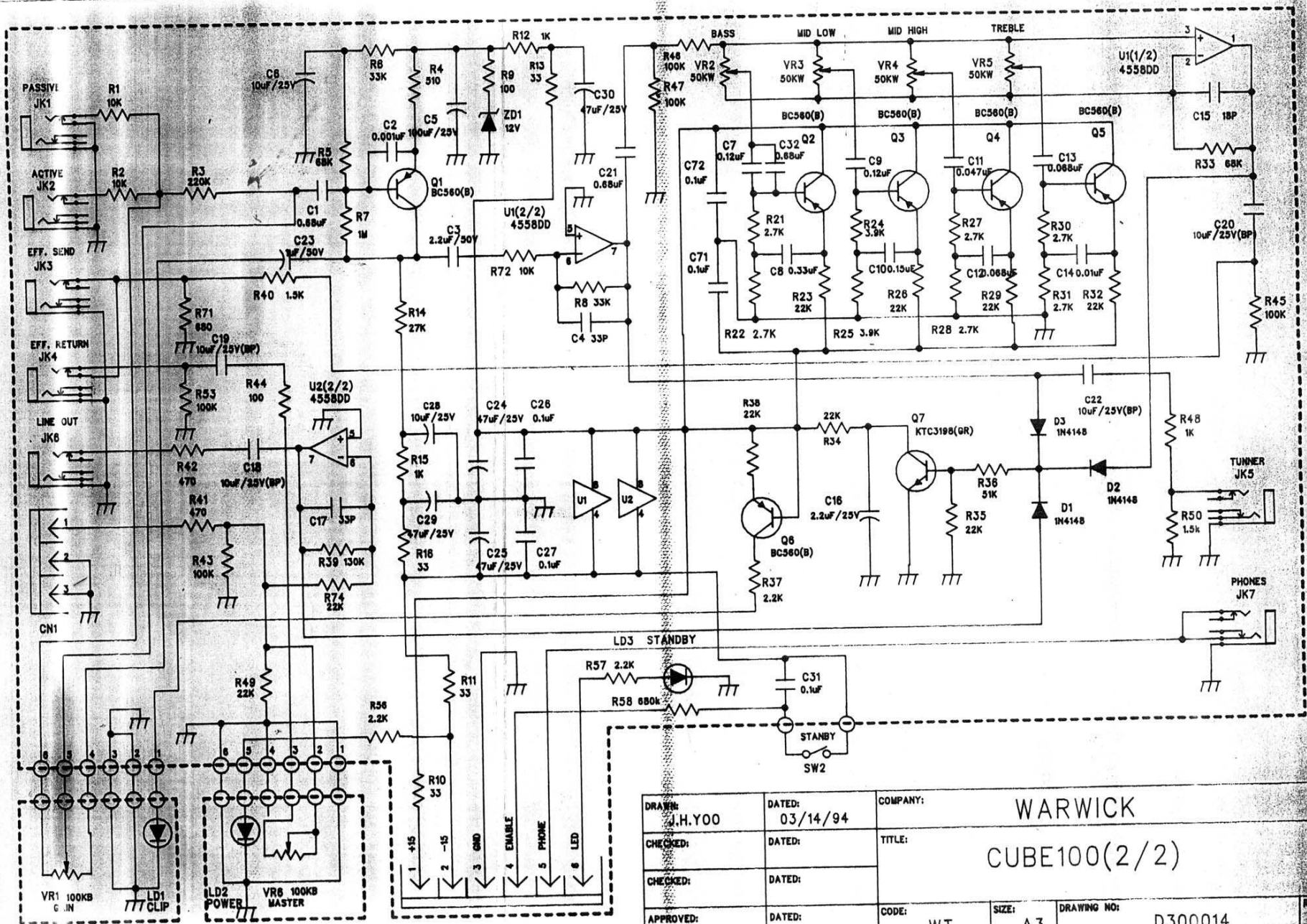
TITLE: **CUBE100 (1/2)**

DRAWN: J.H.YOO	DATED: 03/14/94
CHECKED:	DATED:
QUALITY CONTROL:	DATED:

CODE: WT	SIZE: A3	DRAWING NO: D300013
-------------	-------------	------------------------

A

TO PREAMP PCB



DRAWN: J.H.YOO	DATED: 03/14/94	COMPANY: WARWICK
CHECKED:	DATED:	TITLE: CUBE100(2/2)
CHECKED:	DATED:	
APPROVED:	DATED:	CODE: W/T SIZE: A3 DRAWING NO: D300014