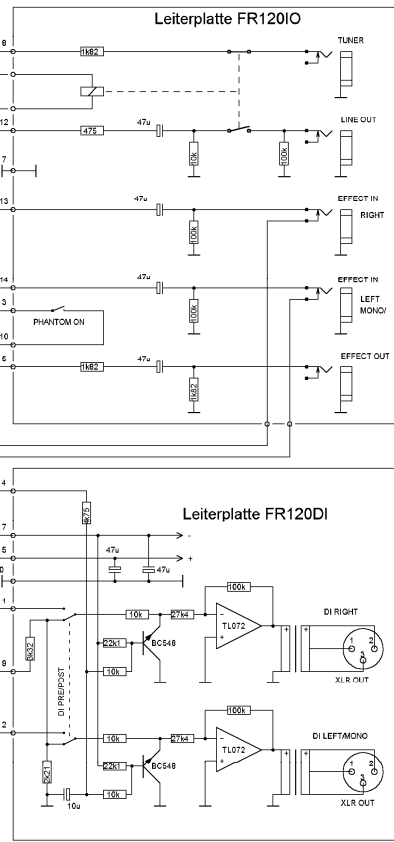


FR120EV
 Date: 17.04.2003 08:30:00
 HOB electronic

- zur Leiterplatte FR120EF
- zur Leiterplatte TUNER
- Schalter
- LED
- GND
- Signal
- +
-
- 15V
- 5V8
- SA13

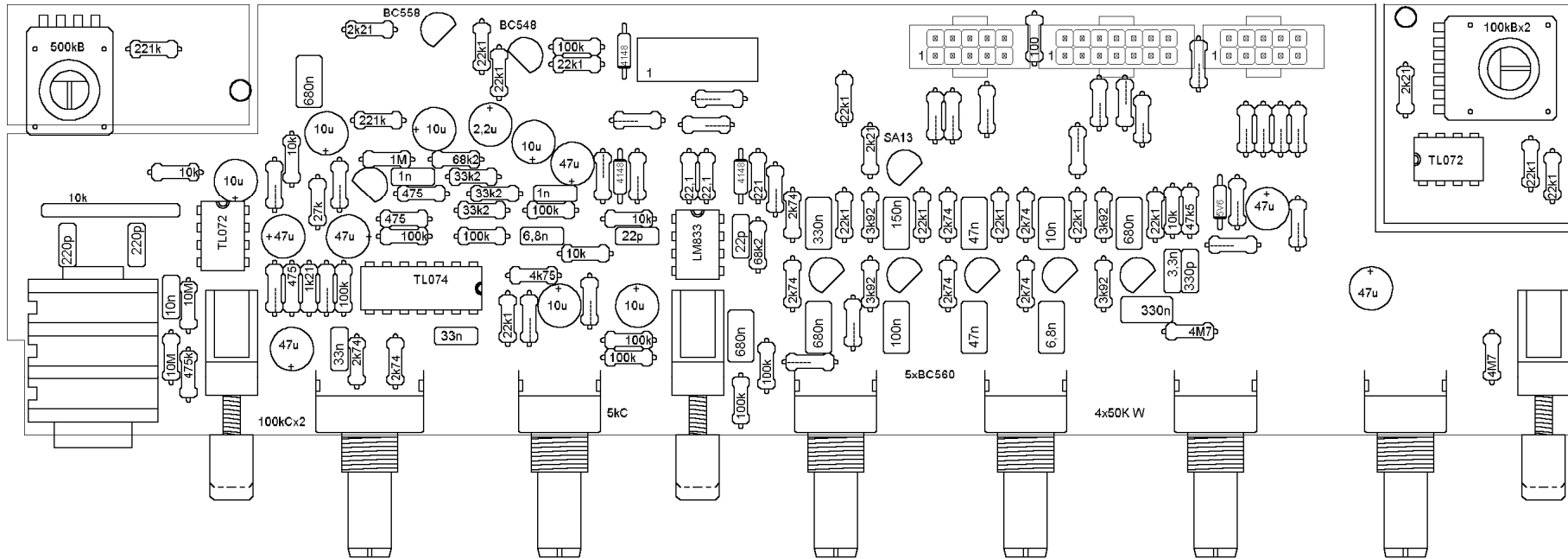
Schalter LED Eingang
 STAND BY STAND BY -15V GND +15V
 Endstufe



FR120EVV

Draw: 17.04.2003 08:28:02

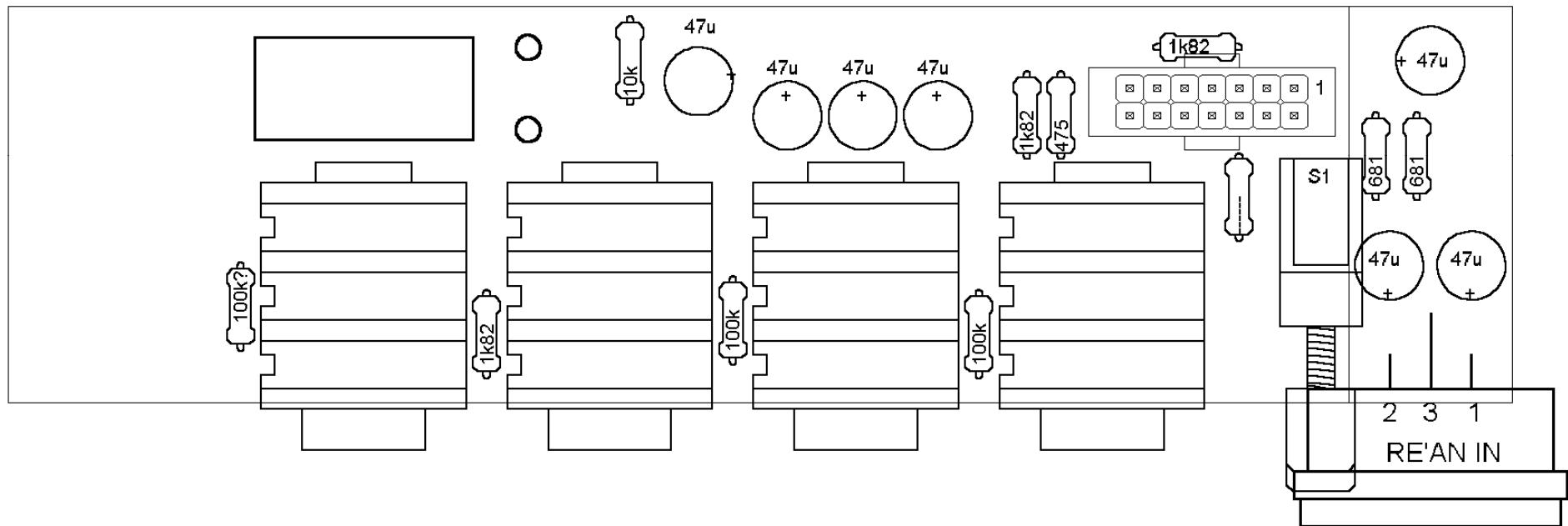
HDB electronic



FR120EIO

Draw: 17.04.2003 08:27:34

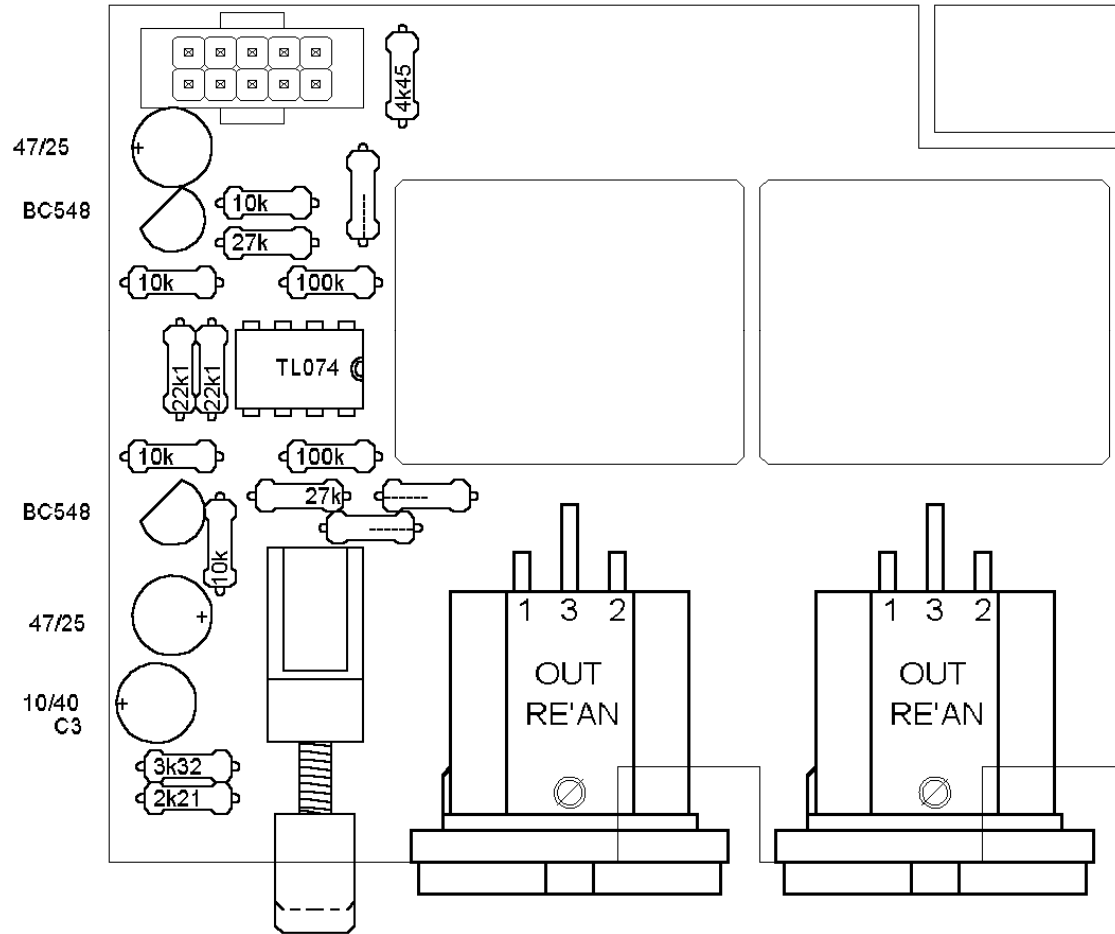
HDB electronic



FR120EDI

Draw: 17.04.2003 08:24:20

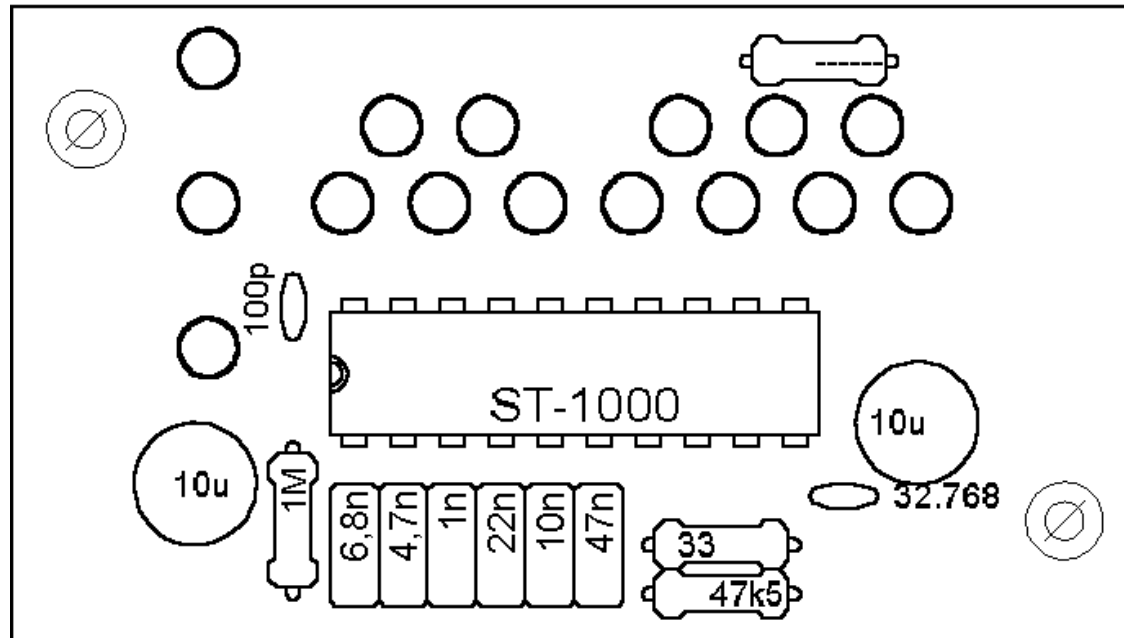
HDB electronic

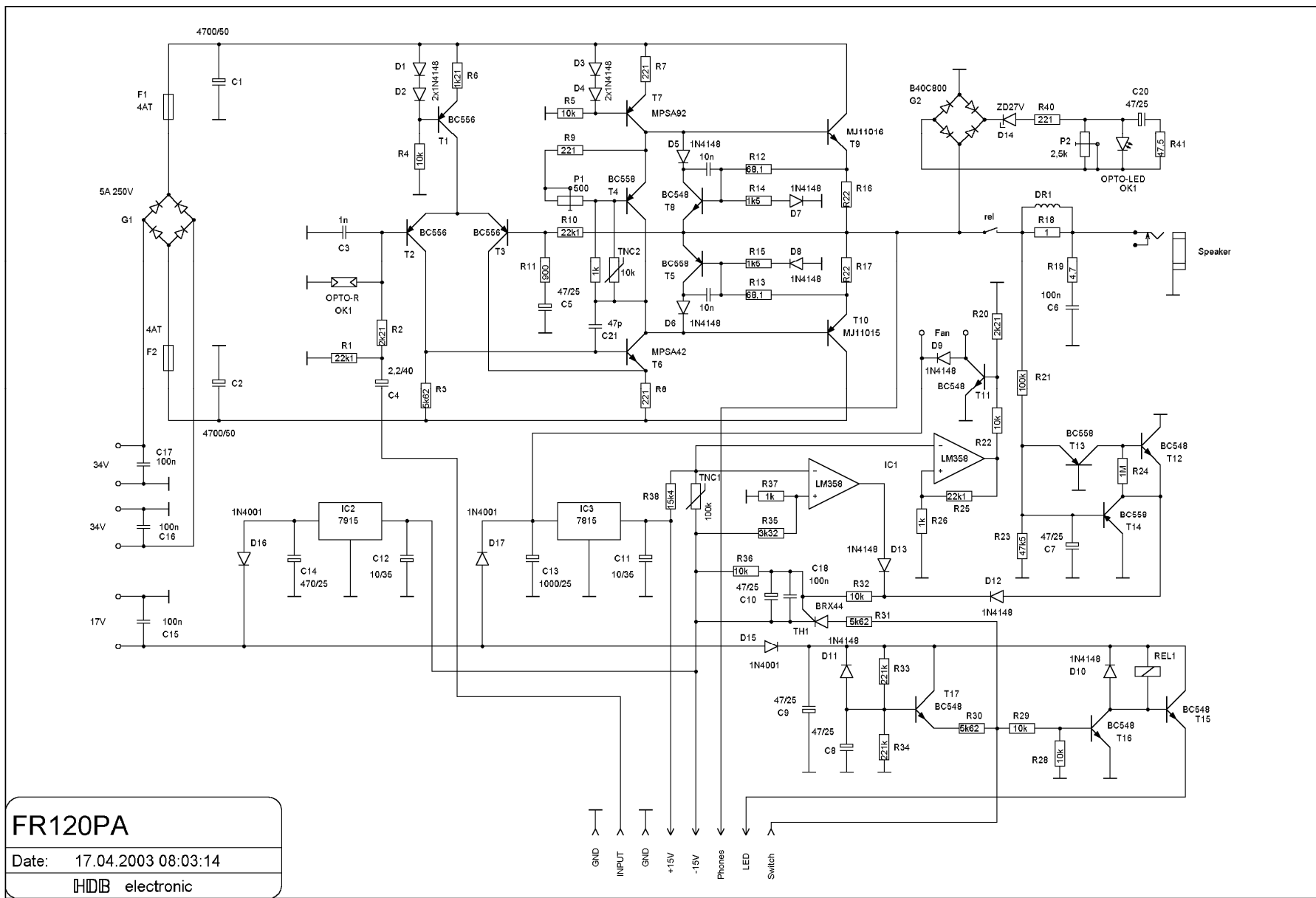


TUNER

Draw: 17.04.2003 08:01:02

HDB electronic





FR120PA

Date: 17.04.2003 08:03:14

HDB electronic

- GND
- INPUT
- GND
- +15V
- 15V
- Phones
- LED
- Switch

