

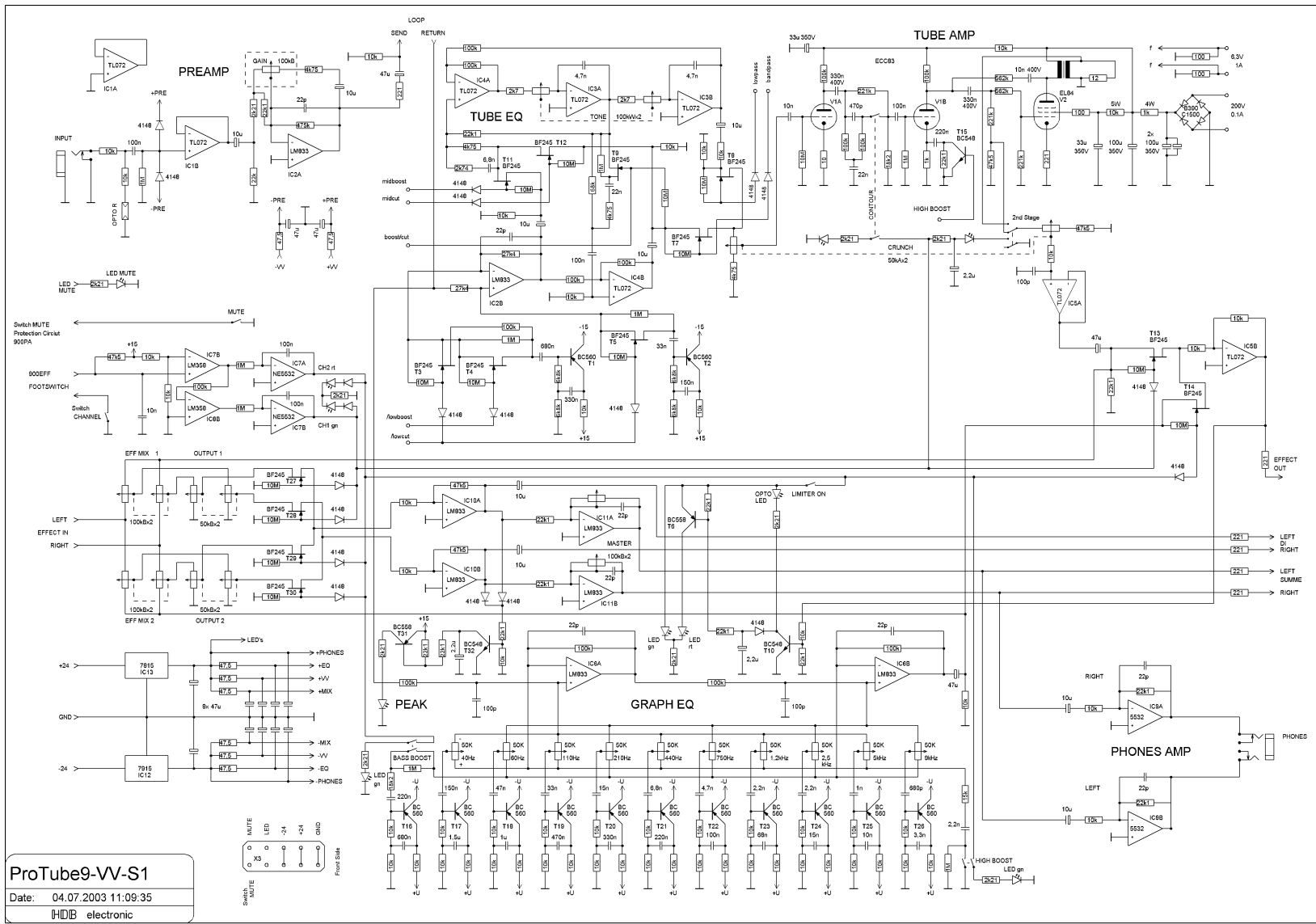
## **PROTUBE9-1** ab Serien-Nr.: H00010

<a href="#"><u>PreAmp schematic</u></a>	<a href="#"><u>PreAmp board</u></a>
<a href="#"><u>LED Switches schematic</u></a>	<a href="#"><u>LED Switches board</u></a>
<a href="#"><u>EFF LOOP schematic</u></a>	<a href="#"><u>EFF LOOP board</u></a>
<a href="#"><u>DI schematic</u></a>	<a href="#"><u>DI board</u></a>
<a href="#"><u>LINE OUT schematic</u></a>	<a href="#"><u>LINE OUT board</u></a>
<a href="#"><u>PowerAmp schematic</u></a>	<a href="#"><u>PowerAmp board</u></a>
<a href="#"><u>TrafoRelay schematic</u></a>	<a href="#"><u>TrafoRelay board</u></a>
<a href="#"><u>Light schematic</u></a>	<a href="#"><u>Light board</u></a>

## **PROTUBE9-2** ab Serien-Nr.: H09095

- Leuchtstofflampe wird durch Soffittenlampe ersetzt
- PA erhält Limiter, Kühlung verbessert
- Alle Boards neu, 2Ebenen, durchkontaktiert

<a href="#"><u>PreAmp schematic</u></a>	<a href="#"><u>PreAmp board</u></a>
<a href="#"><u>LED Switches schematic</u></a>	<a href="#"><u>LED Switches board</u></a>
<a href="#"><u>EFF LOOP schematic</u></a>	<a href="#"><u>EFF LOOP board</u></a>
<a href="#"><u>DI schematic</u></a>	<a href="#"><u>DI board</u></a>
<a href="#"><u>LINE OUT schematic</u></a>	<a href="#"><u>LINE OUT board</u></a>
<a href="#"><u>PowerAmp1 schematic</u></a>	<a href="#"><u>PowerAmp board</u></a>
<a href="#"><u>PowerAmp2 schematic</u></a>	
<a href="#"><u>TrafoRelay schematic</u></a>	<a href="#"><u>TrafoRelay board</u></a>

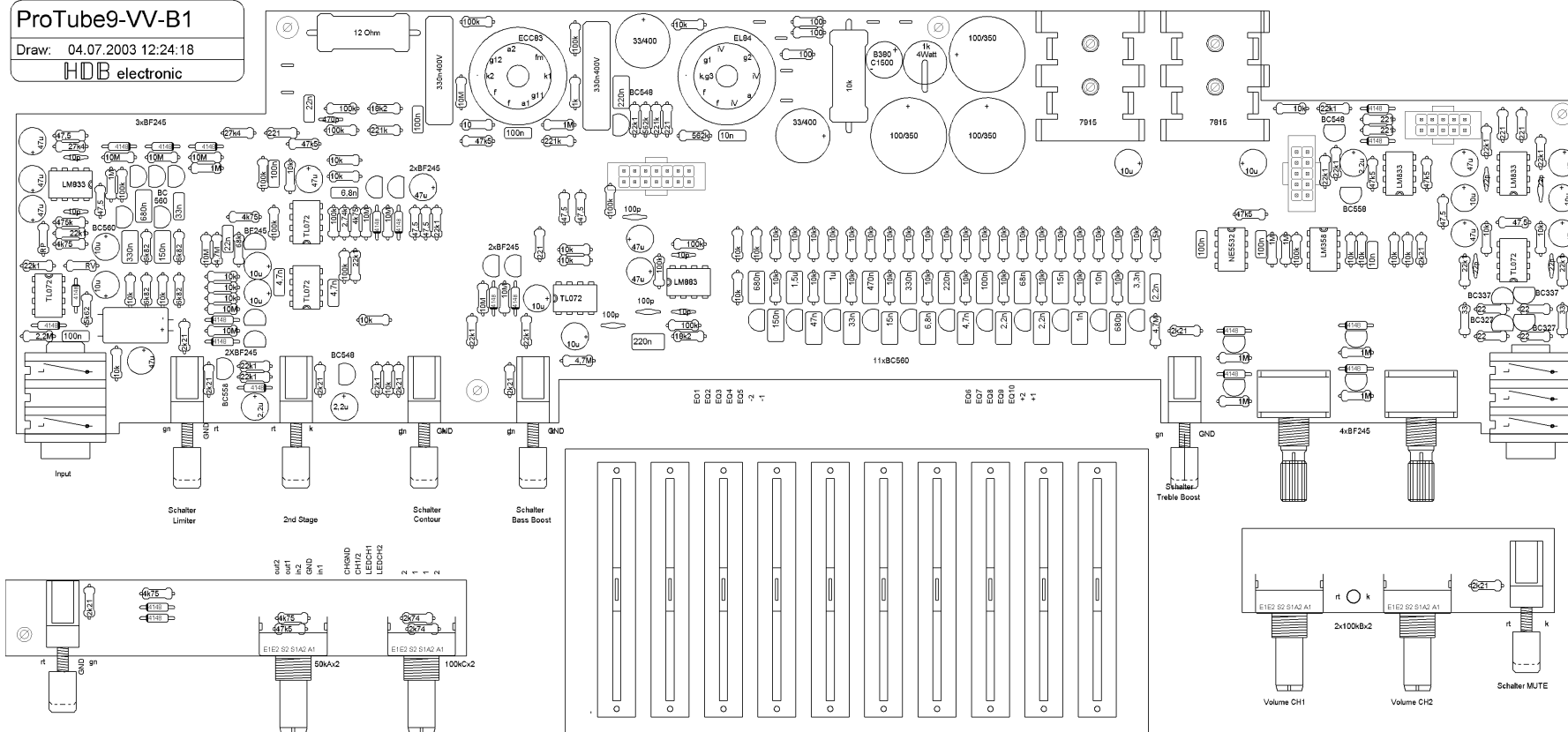


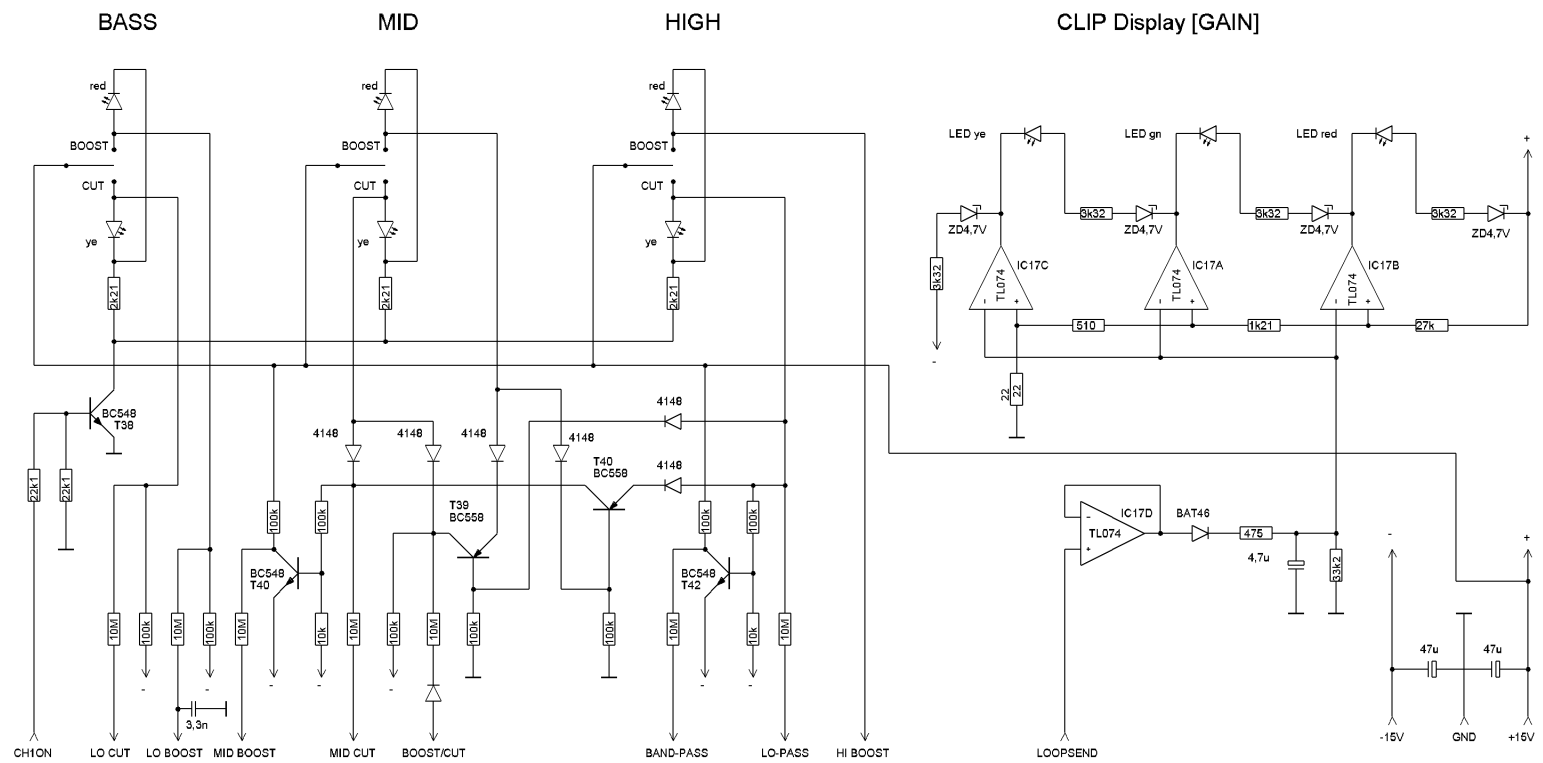
**ProTube9-VV-S1**  
 Date: 04.07.2003 11:09:35  
 HDB electronic

# ProTube9-VV-B1

Draw: 04.07.2003 12:24:18

HDB electronic





ProTube9-LED-S1

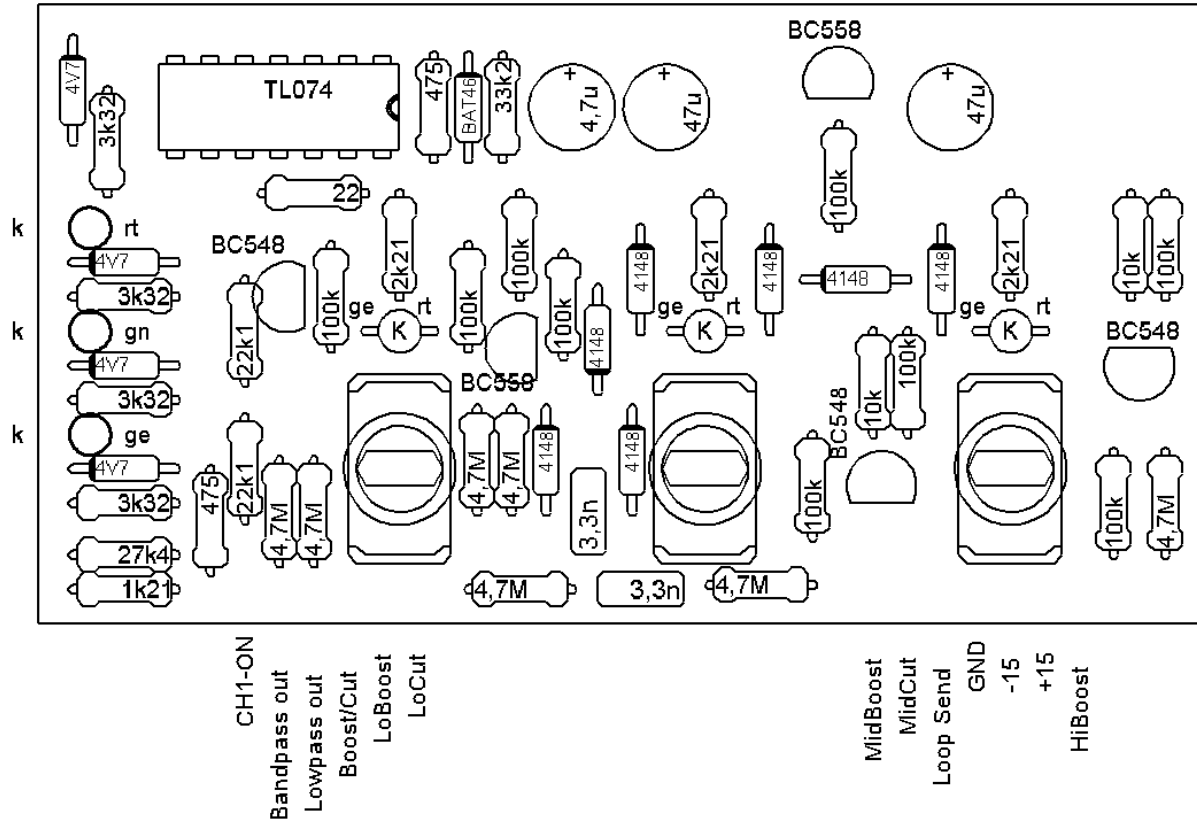
Date: 04.07.2003 11:05:34

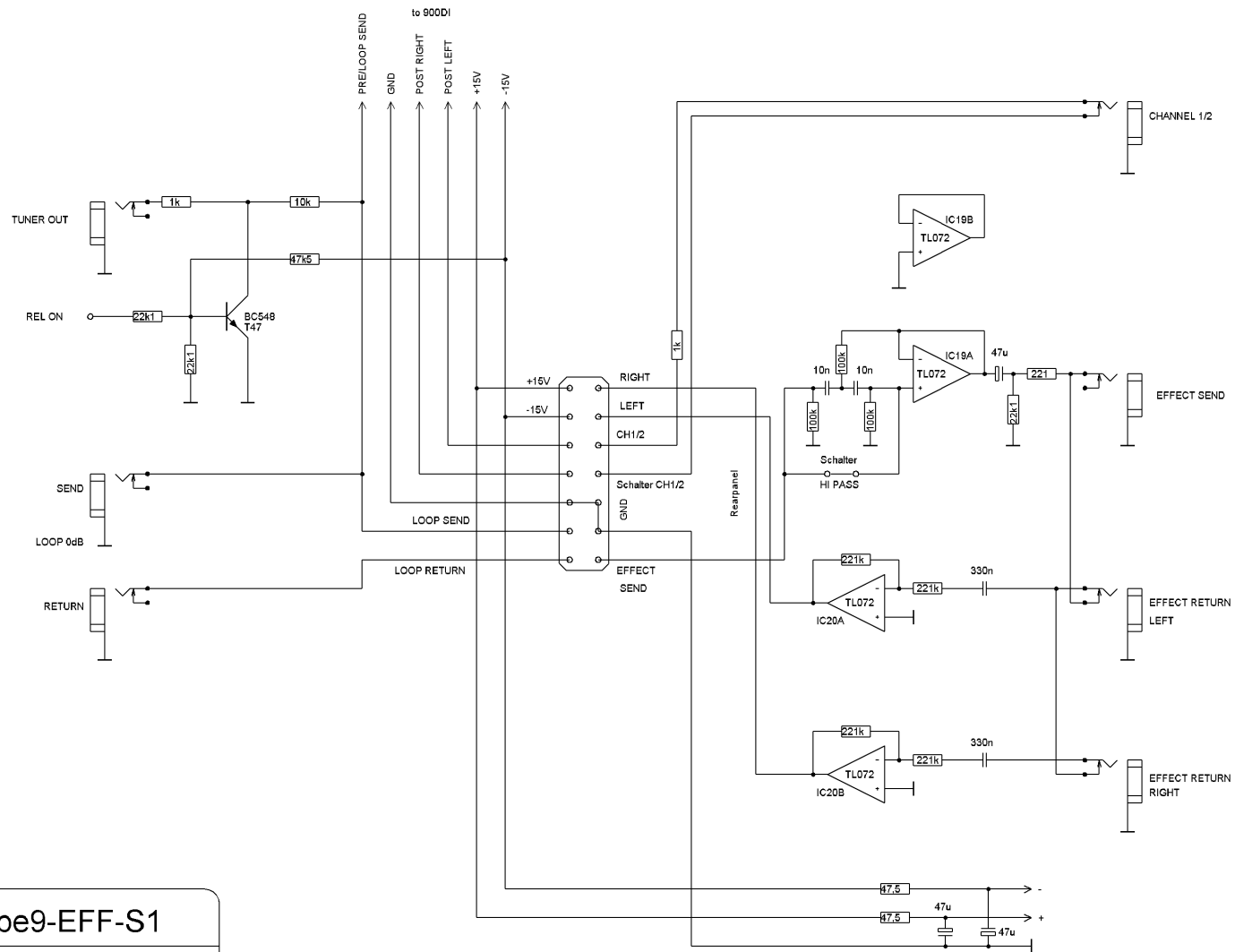
HDB electronic

# ProTube9-LED-B1

Draw: 04.07.2003 10:23:55

HDB electronic





ProTube9-EFF-S1

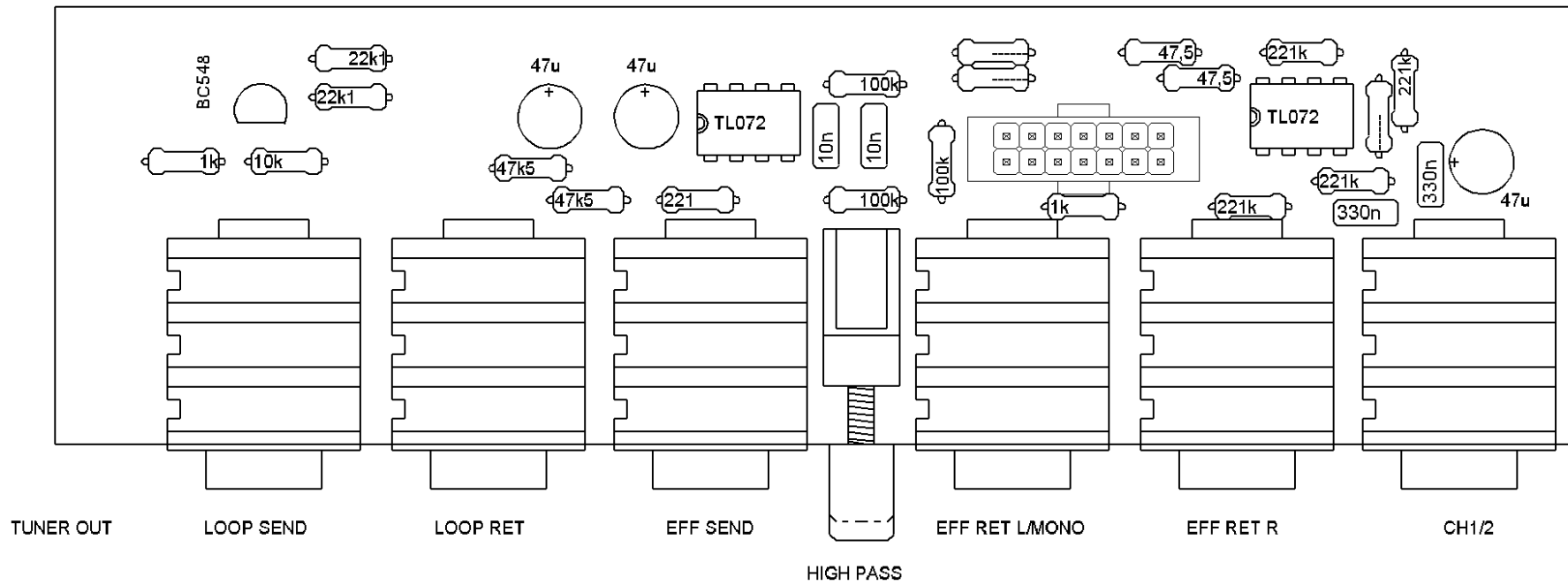
Date: 04.07.2003 11:04:44

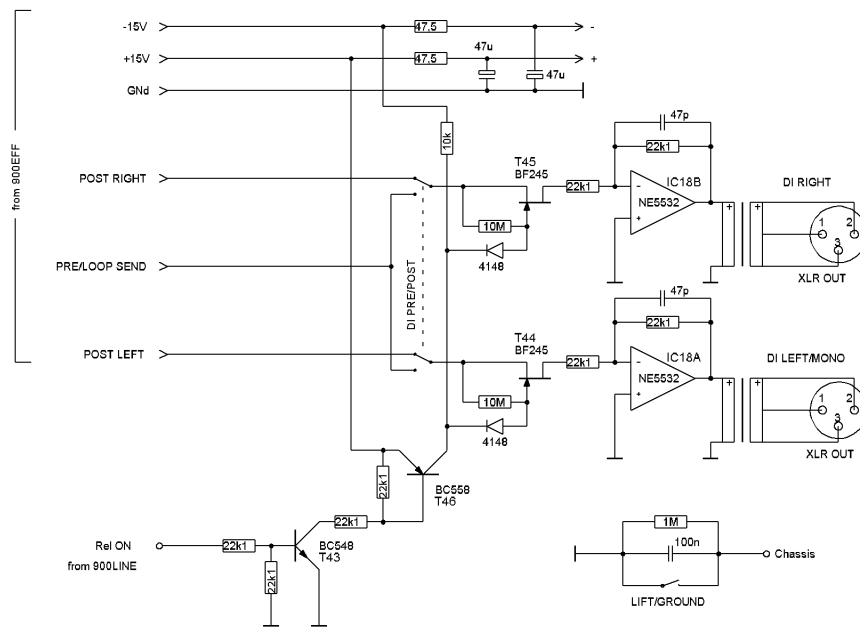
HDB electronic

# ProTube9-EFF-B1

Draw: 04.07.2003 10:22:04

HDB electronic





# ProTube9-DI-S1

Date: 04.07.2003 11:04:01

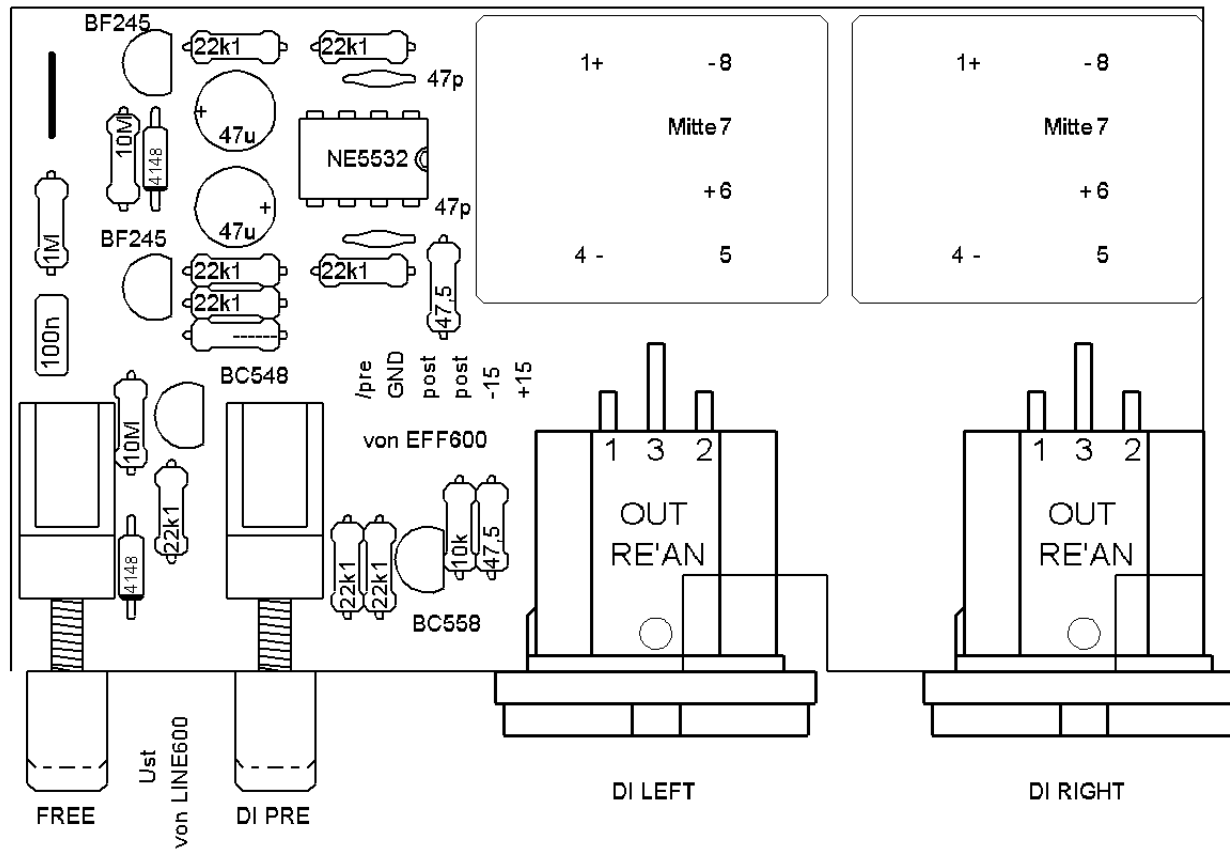
HDB electronic

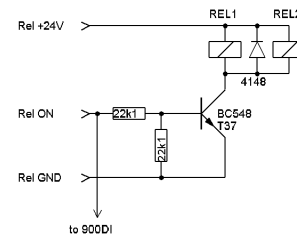
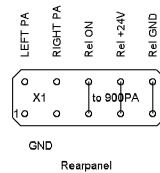
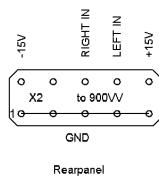
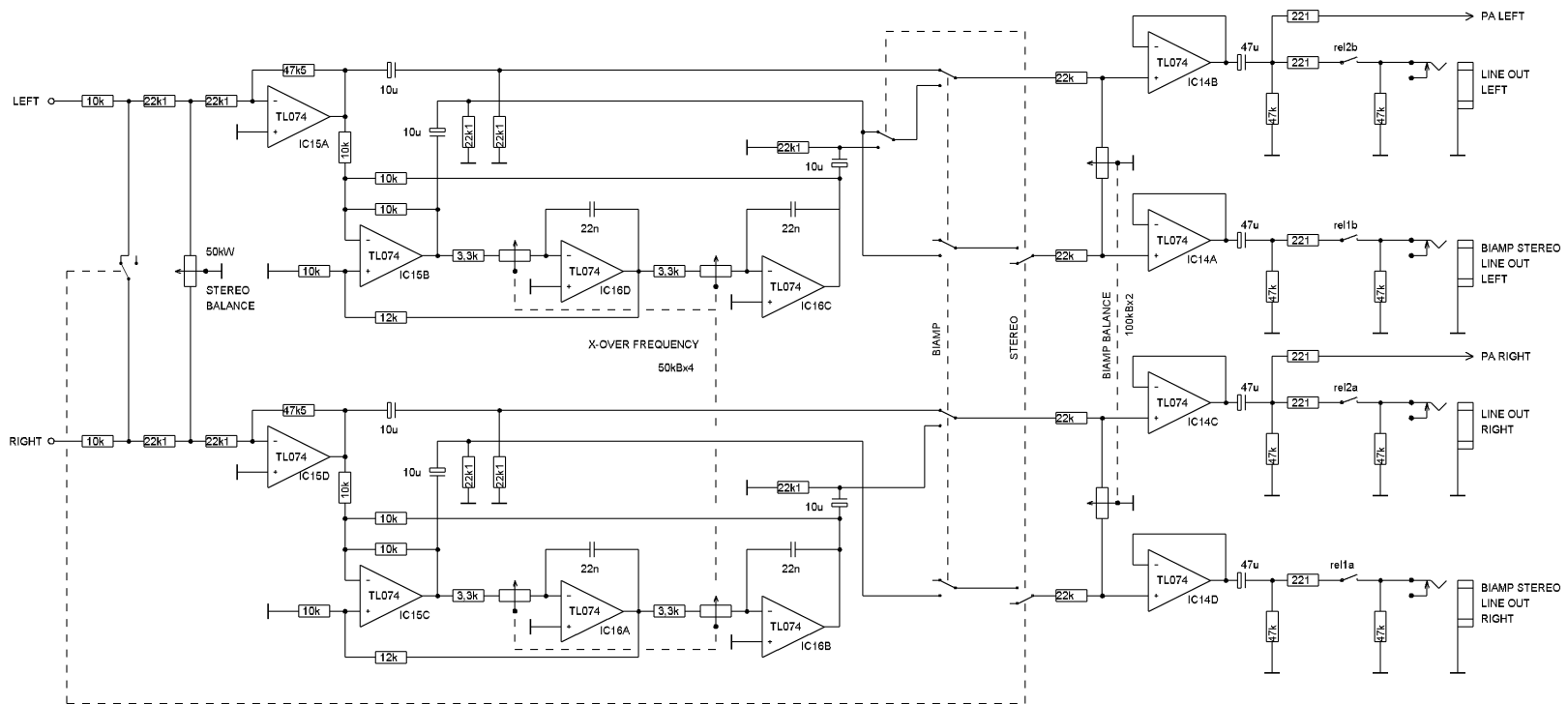


# ProTube9-DI-B1

Draw: 04.07.2003 10:20:36

HDB electronic





# ProTube9-LINE-S1

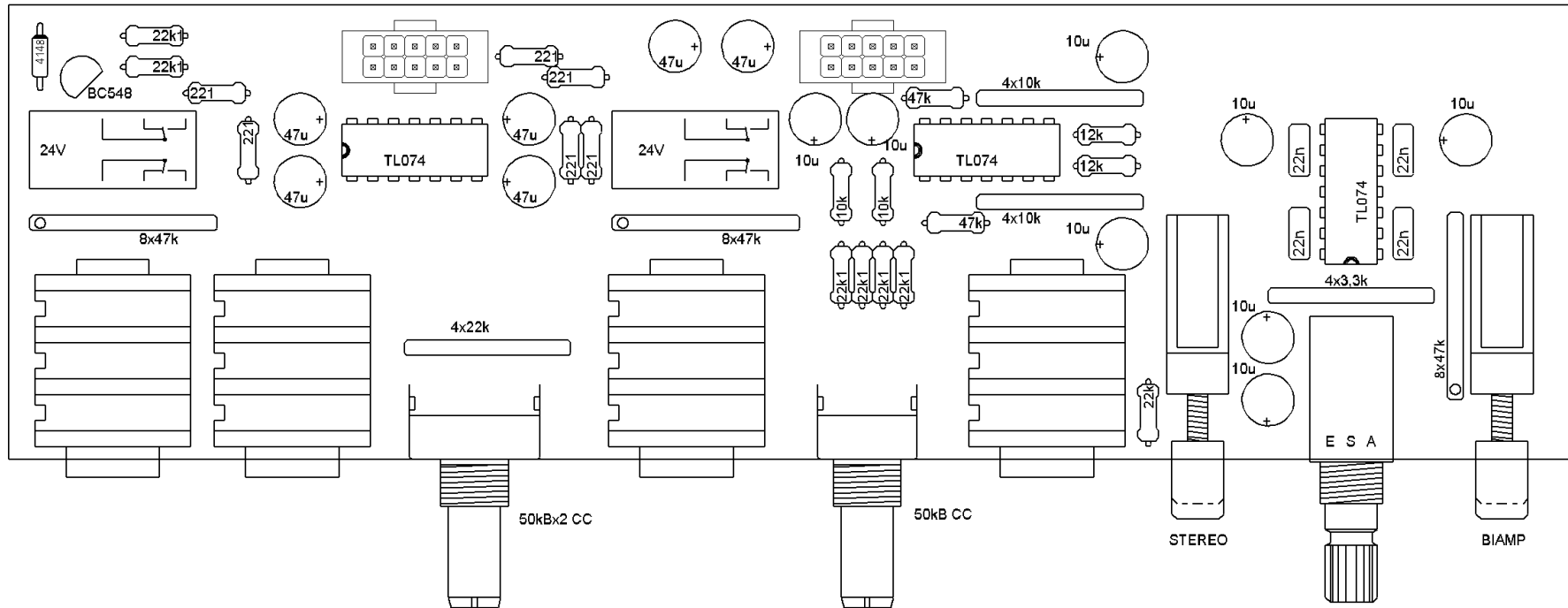
Date: 04.07.2003 11:07:53

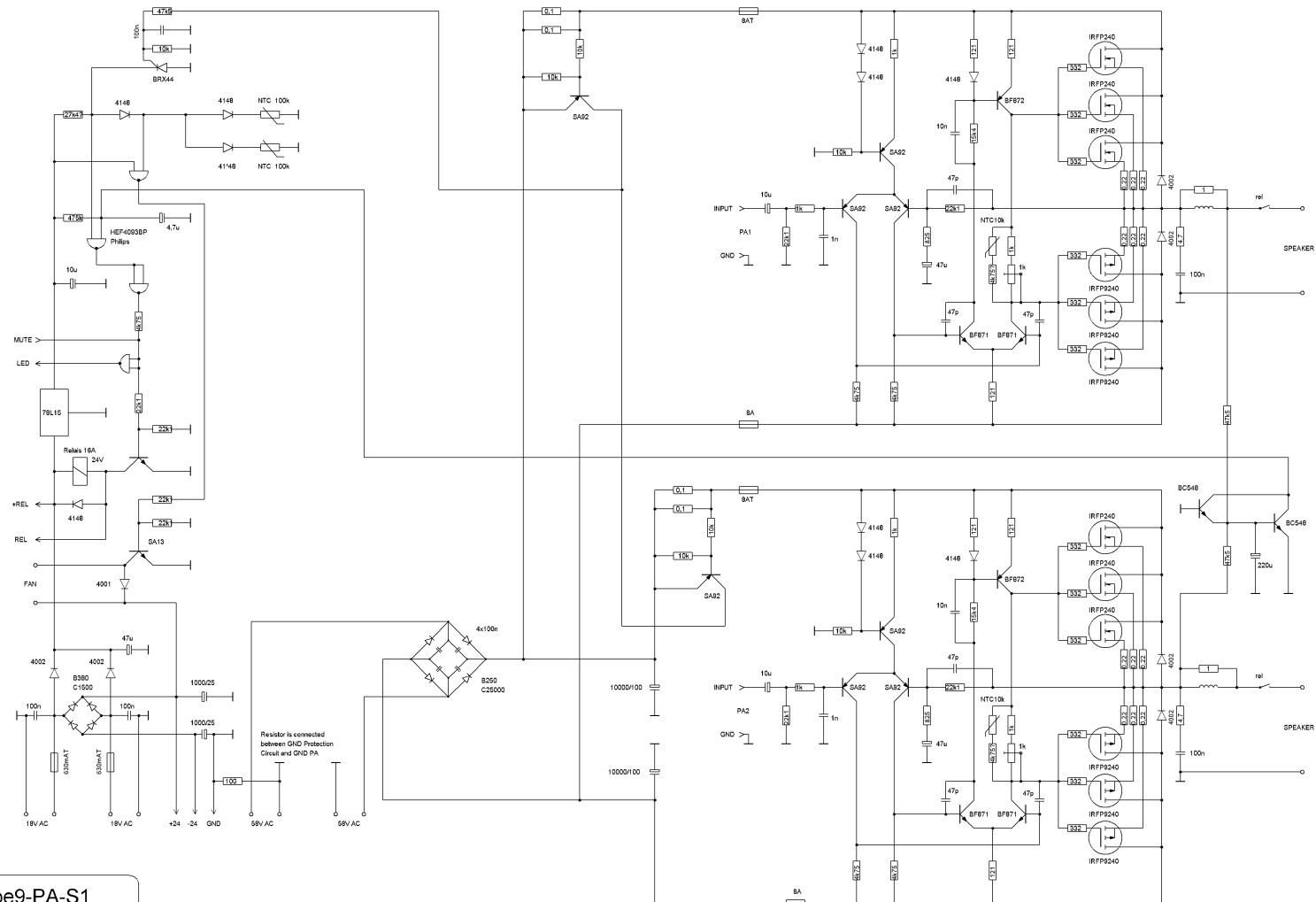
HDB electronic

# ProTube9-LINE-B1

Draw: 04.07.2003 10:24:49

HDB electronic

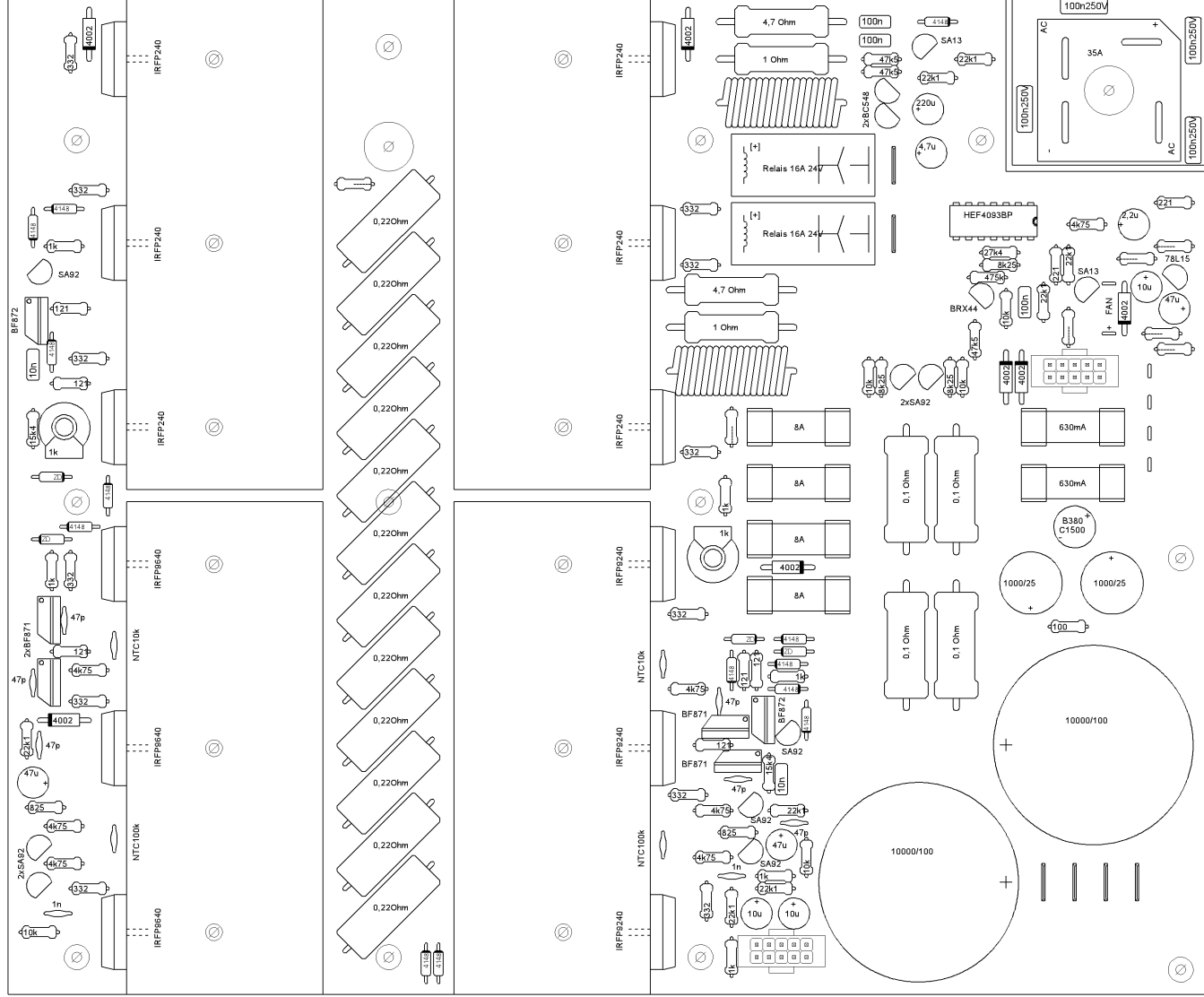




**ProTube9-PA-S1**

Date: 04.07.2003 11:11:08

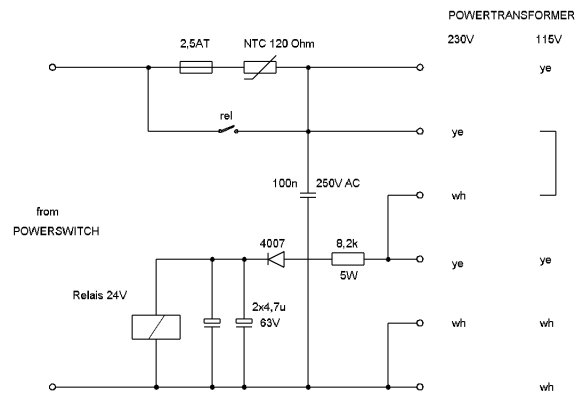
HDB electronic



ProTube9-PA-B1

Draw: 04.07.2003 10:26:53

HOB electronic



ProTube9-TR-S1

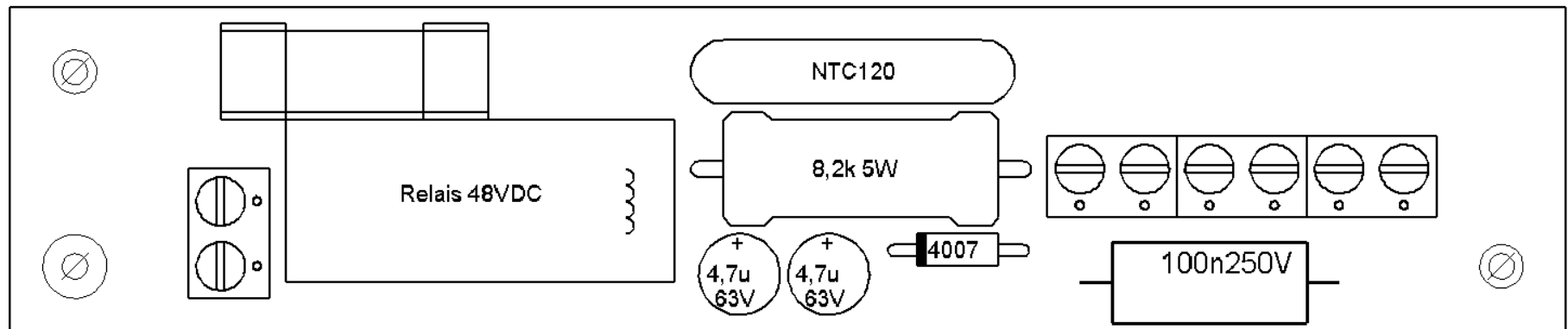
Date: 04.07.2003 11:08:55

HDB electronic

# ProTube9-TR-B1

Draw: 04.07.2003 10:29:13

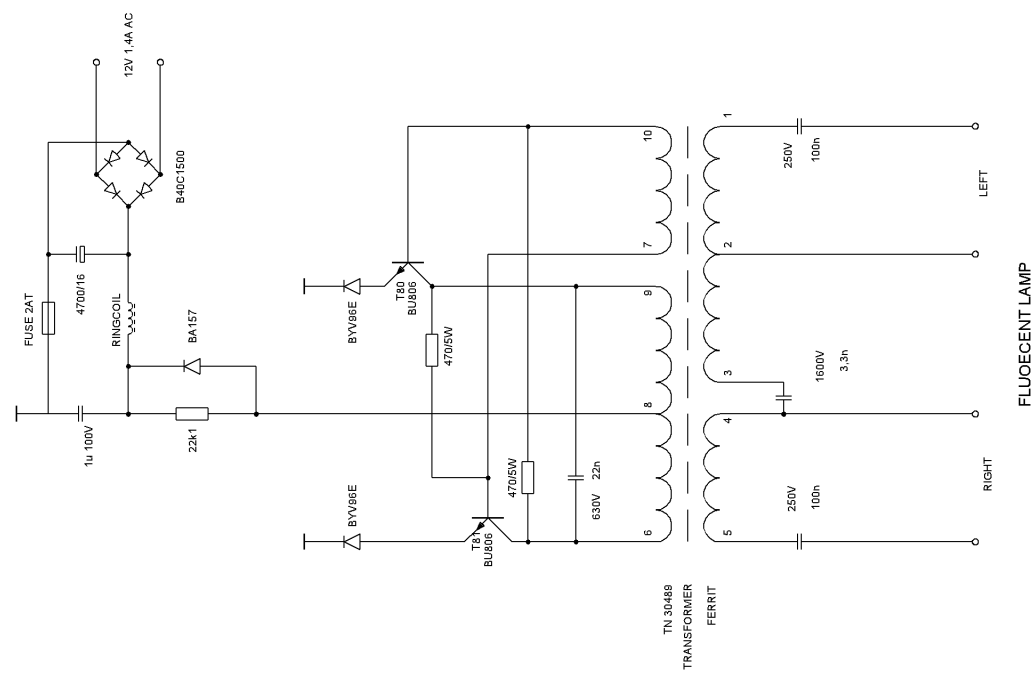
HDB electronic



# ProTube9-LI-S1

Date: 04.07.2003 11:07:11

HOB electronic

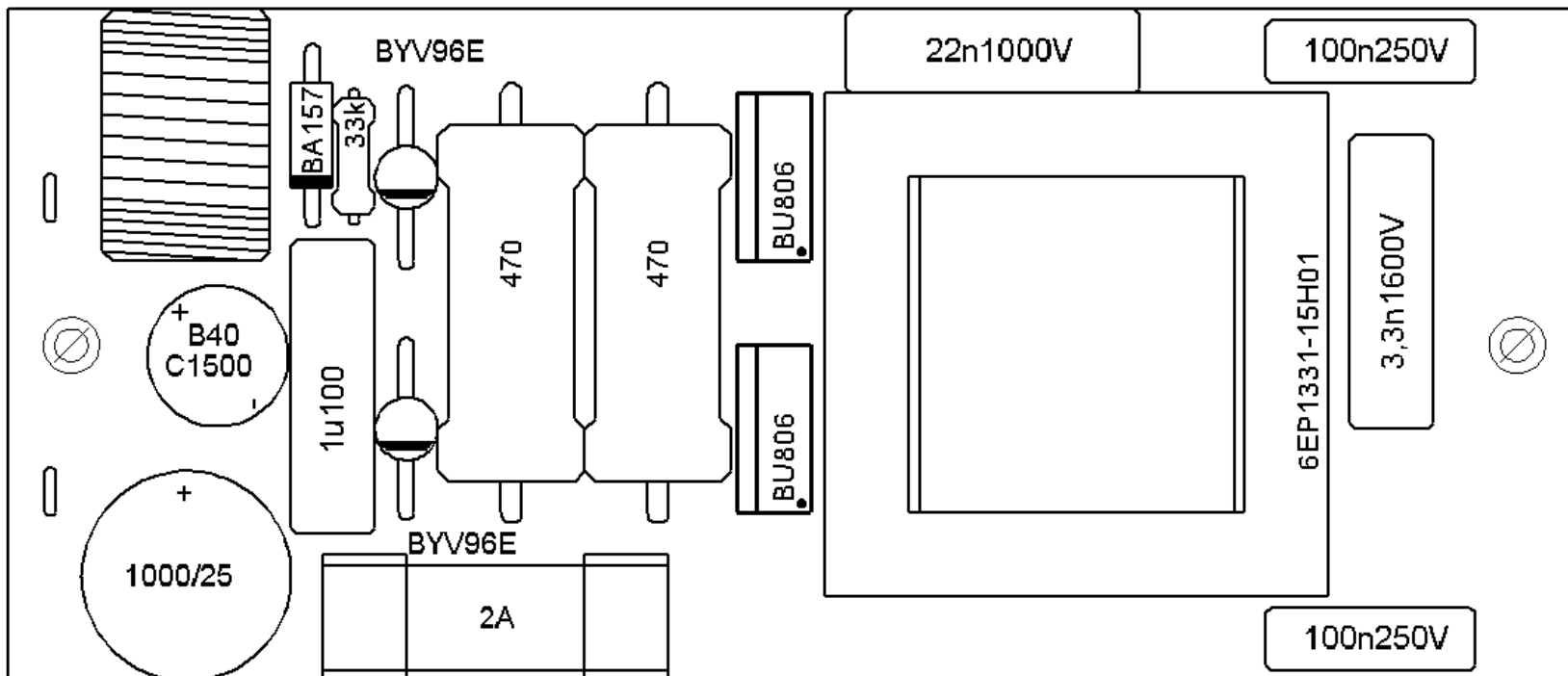


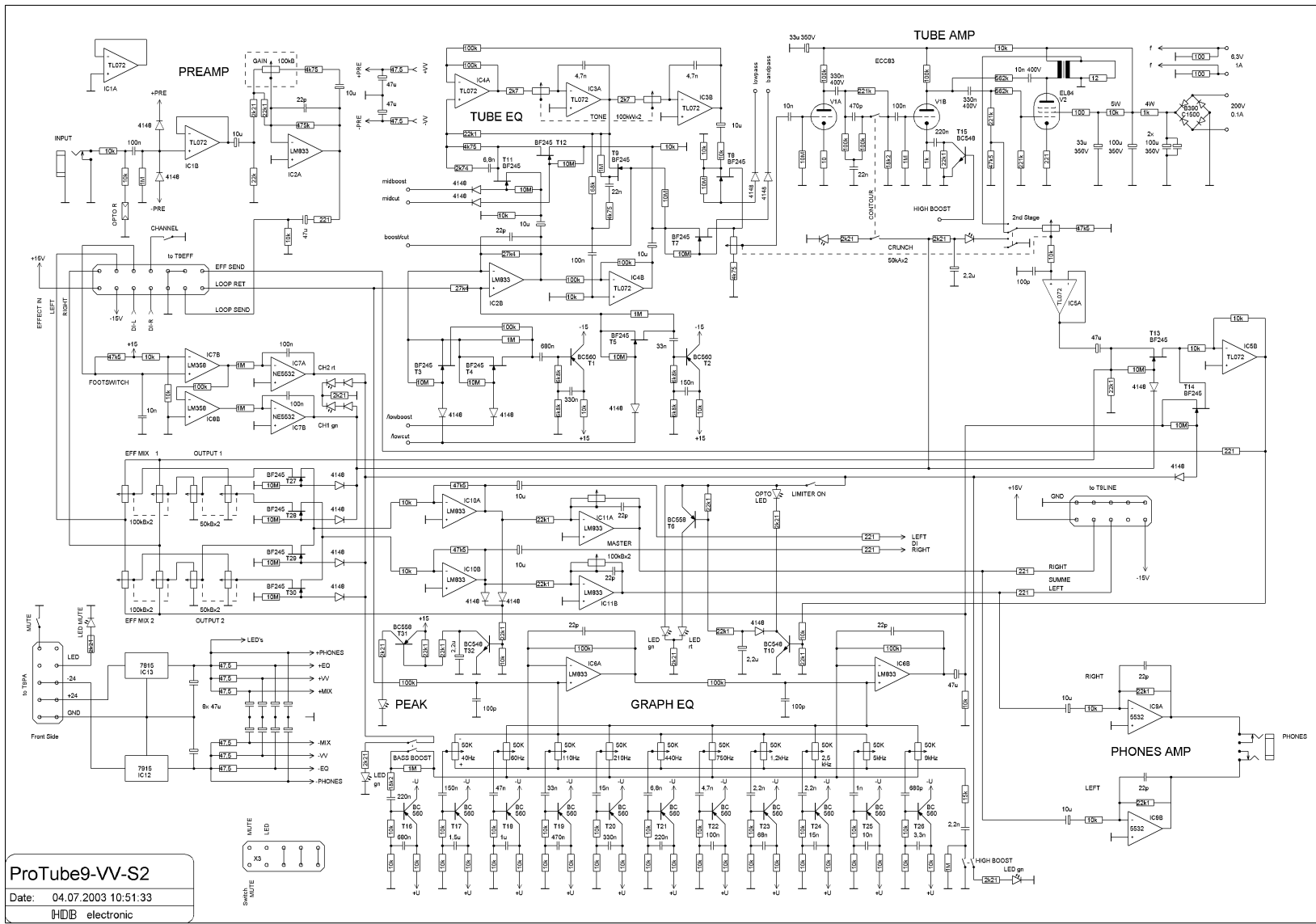


# ProTube9-LI-B1

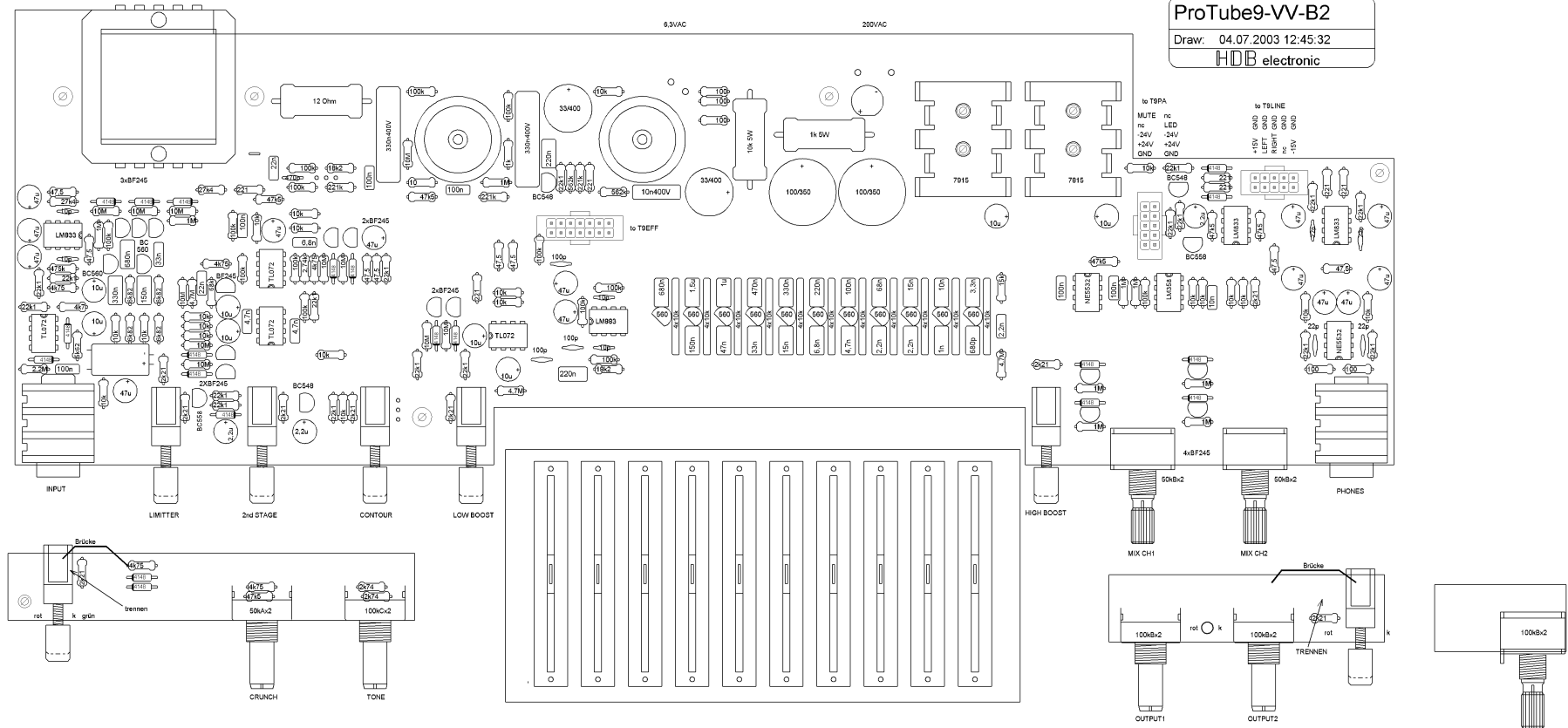
Draw: 04.07.2003 10:30:35

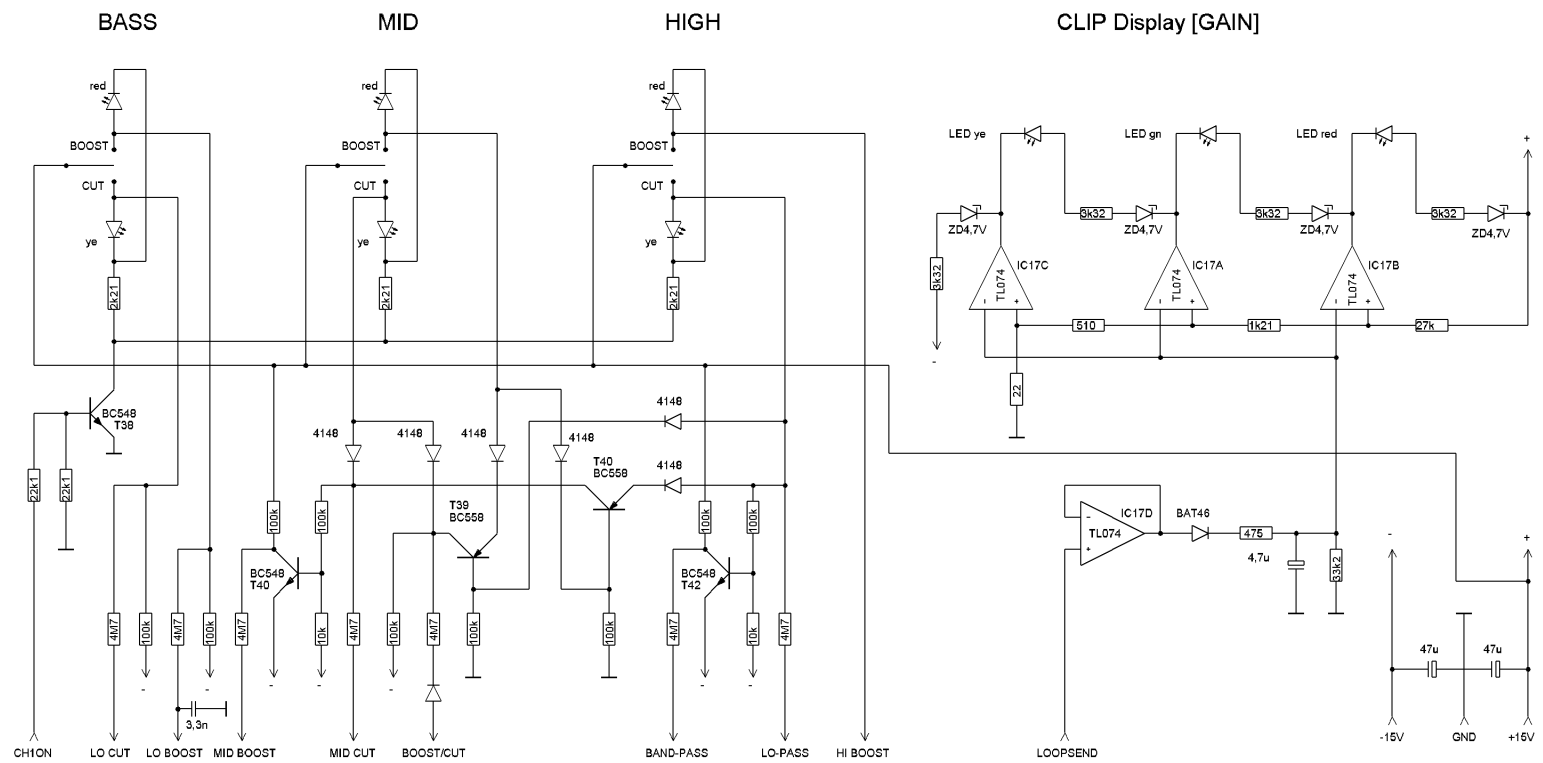
HDB electronic





**ProTube9-VV-B2**  
 Draw: 04.07.2003 12:45:32  
**HDB electronic**



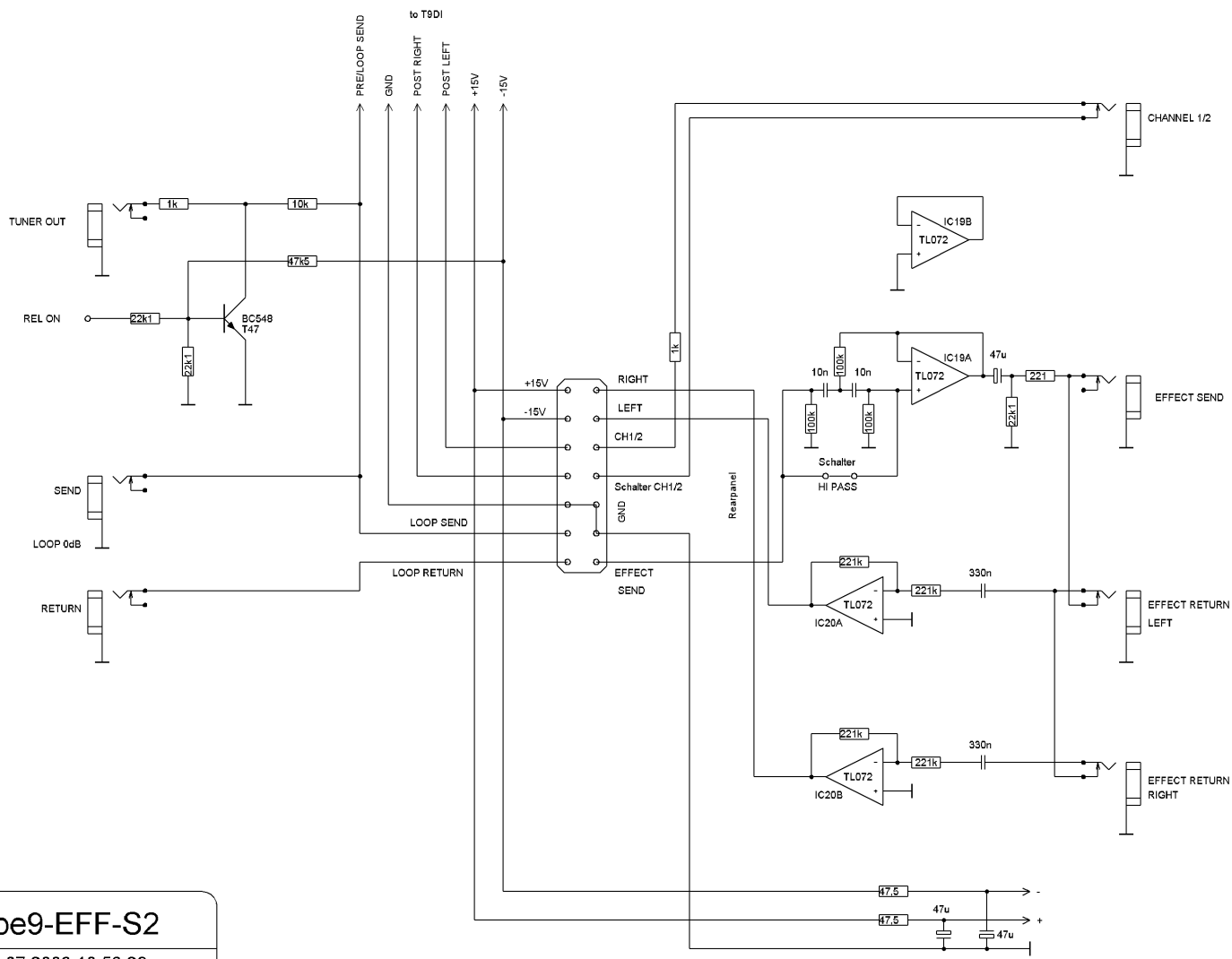


# ProTube9-LED-S2

Date: 04.07.2003 10:56:17

HDB electronic



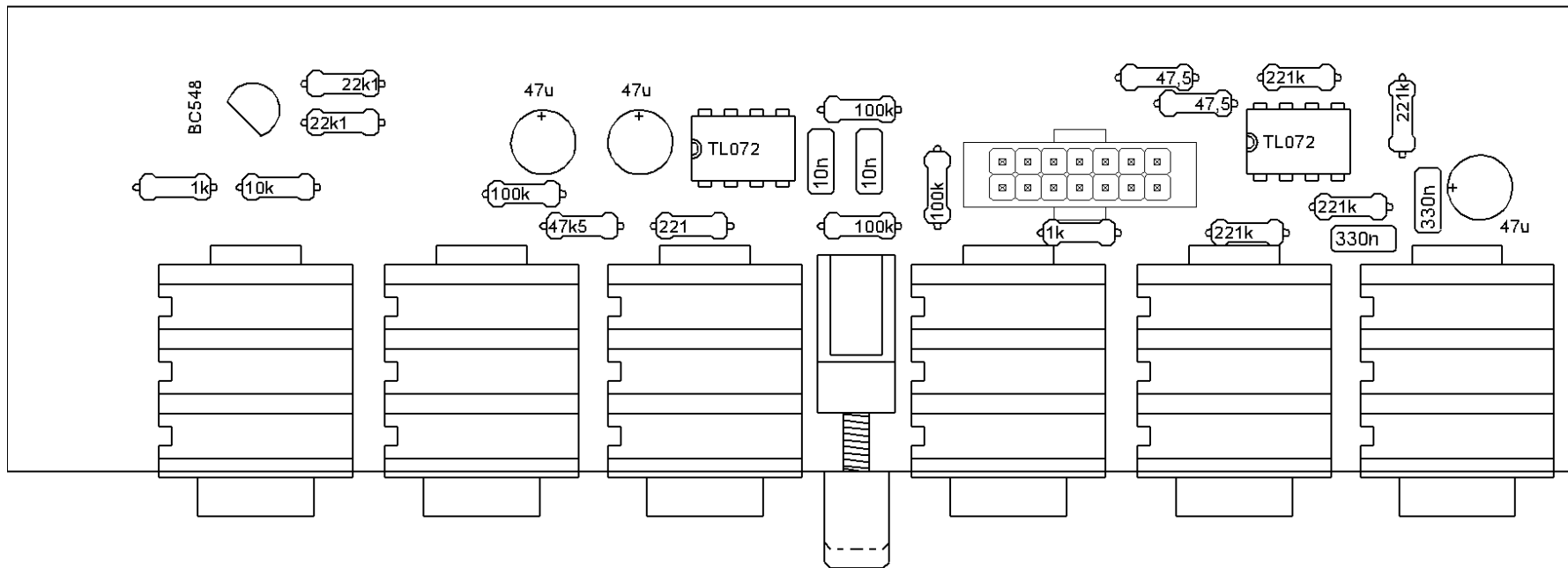


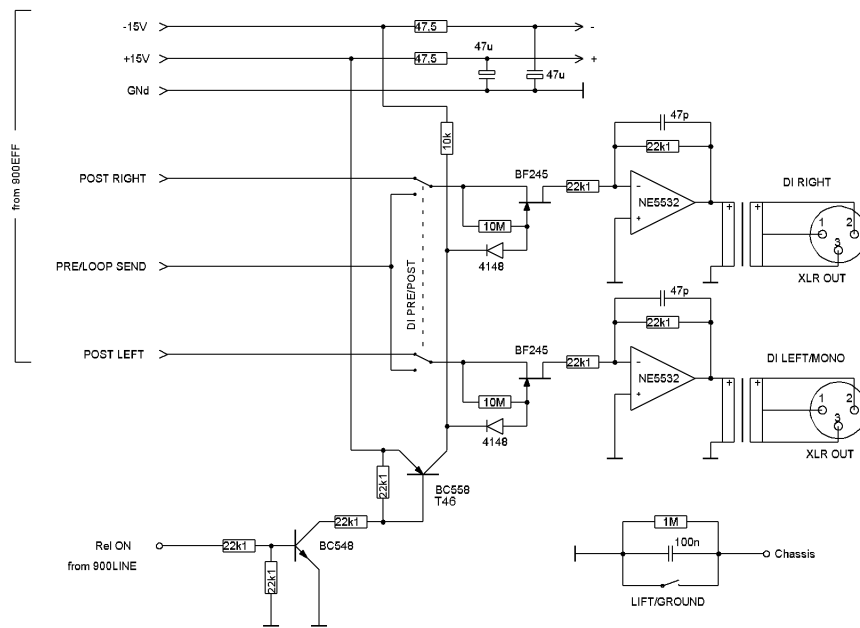
**ProTube9-EFF-S2**  
 Date: 04.07.2003 10:53:26  
 HDB electronic

# ProTube9-EFF-B2

Draw: 04.07.2003 11:24:56

HDB electronic





# ProTube9-DI-S2

Date: 04.07.2003 11:01:32

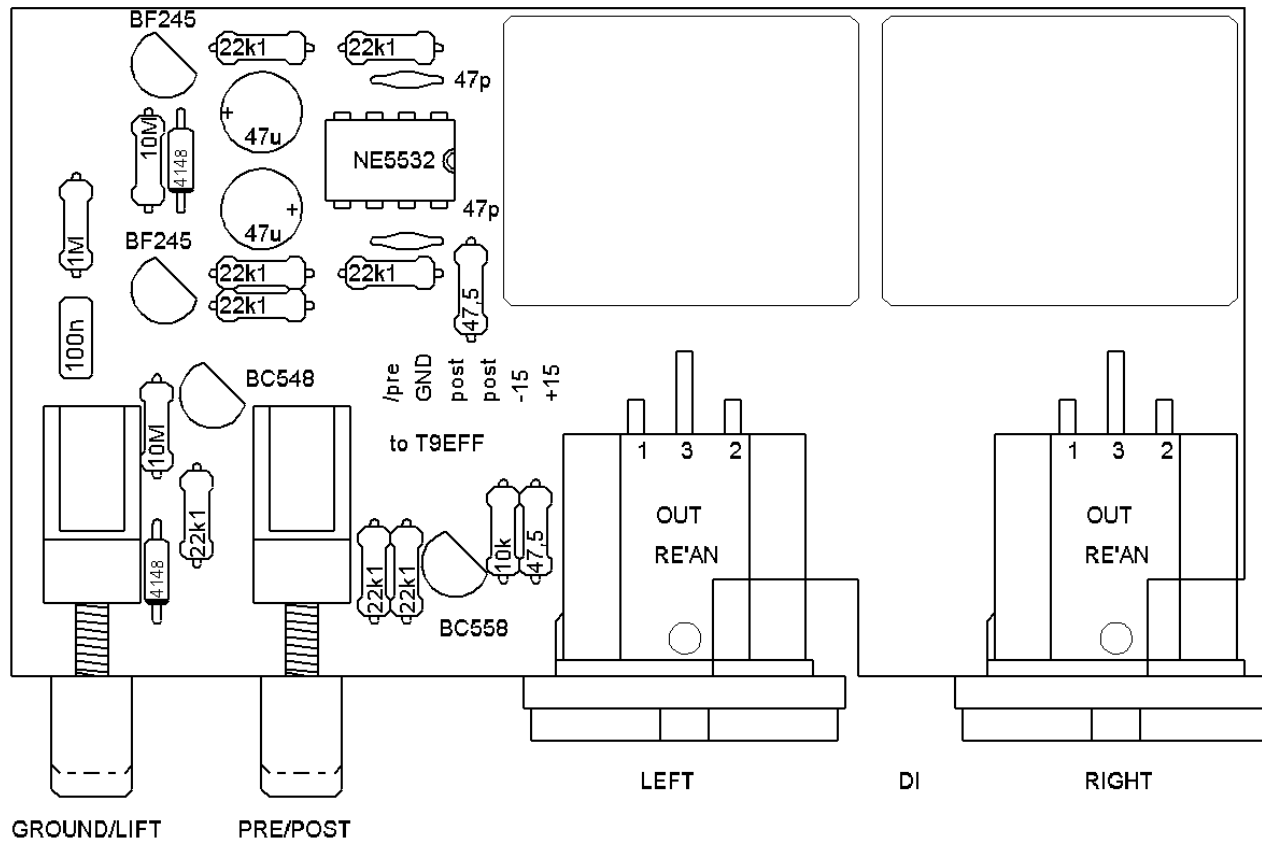
HDB electronic

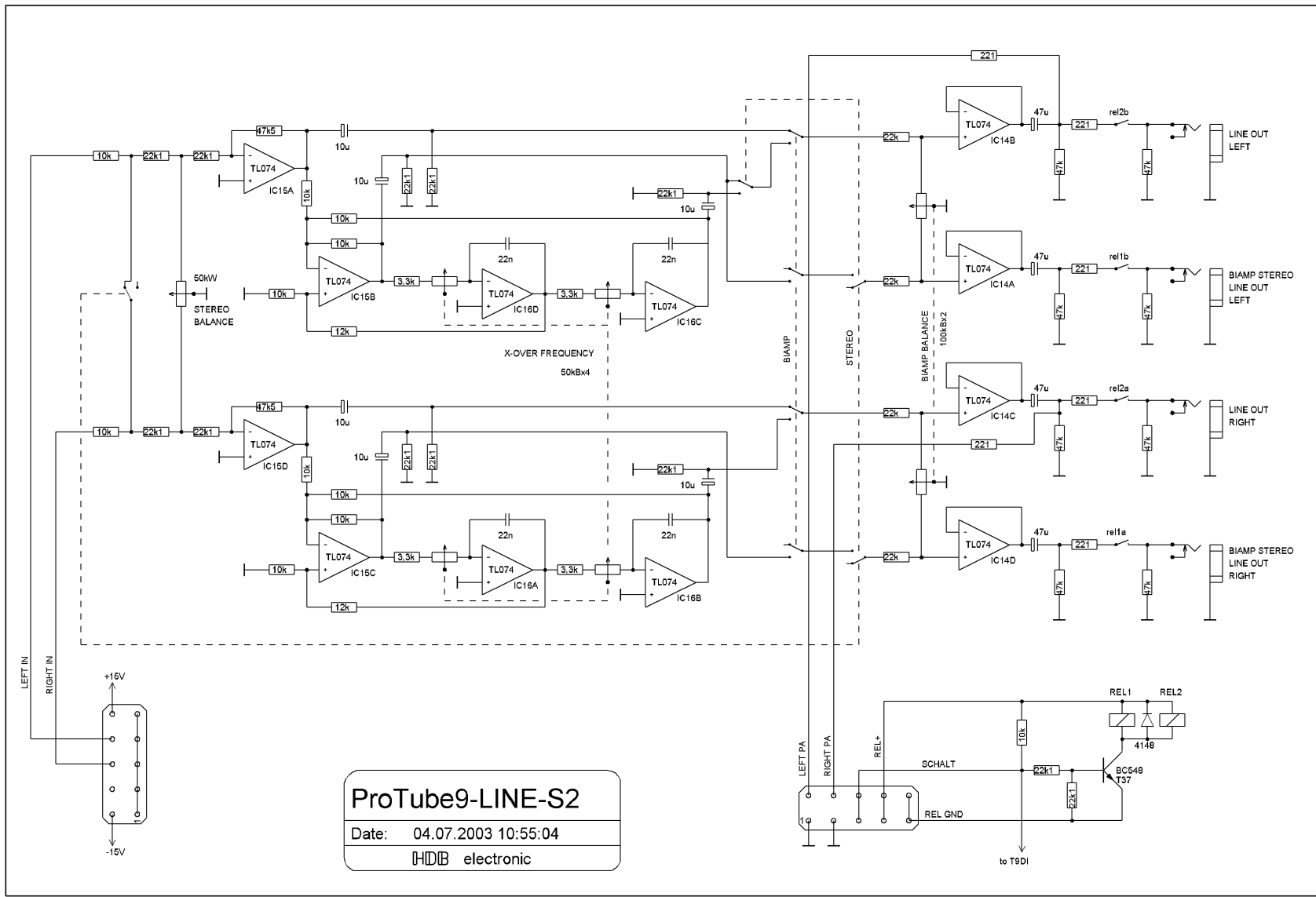


# ProTube9-DI-B2

Draw: 04.07.2003 10:34:00

HDB electronic





**ProTube9-LINE-S2**

Date: 04.07.2003 10:55:04

HDB electronic

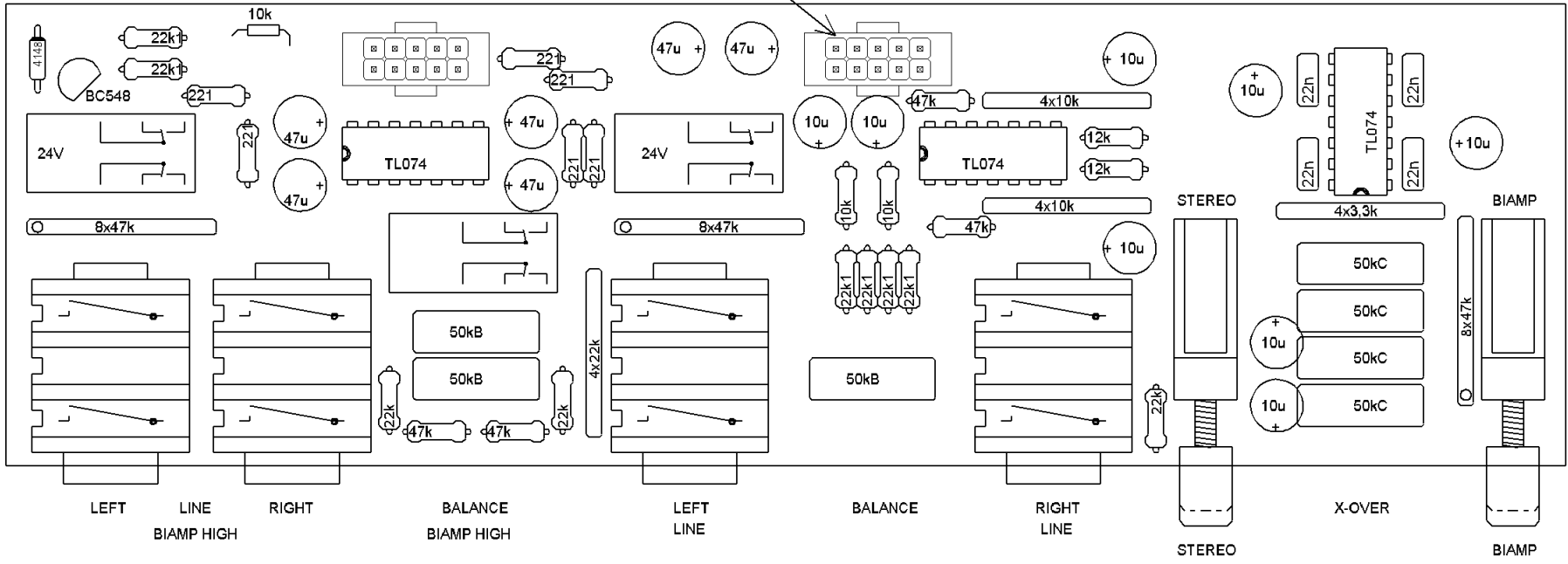
# ProTube9-LINE-B2

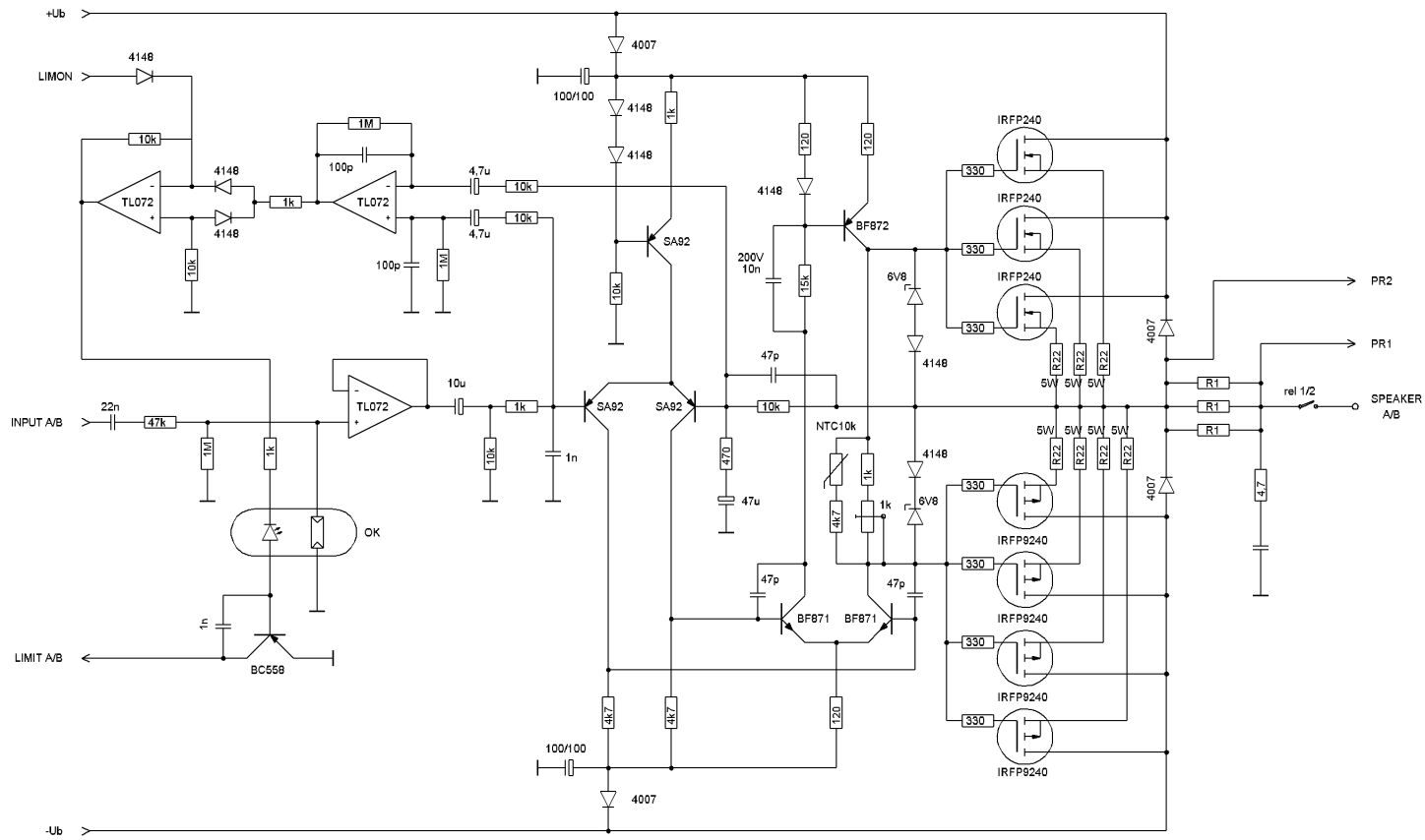
Draw: 04.07.2003 10:36:52

HDB electronic

- GND
- +REL
- SCHALT
- CHA
- CHB
- GNDNF
- GNDNF
- GNDNF
- GNDNF

- to T9VV
- +15V
  - GND
  - LEFT
  - GND
  - RIGHT
  - GND
  - nc
  - GND
  - 15V
  - GND

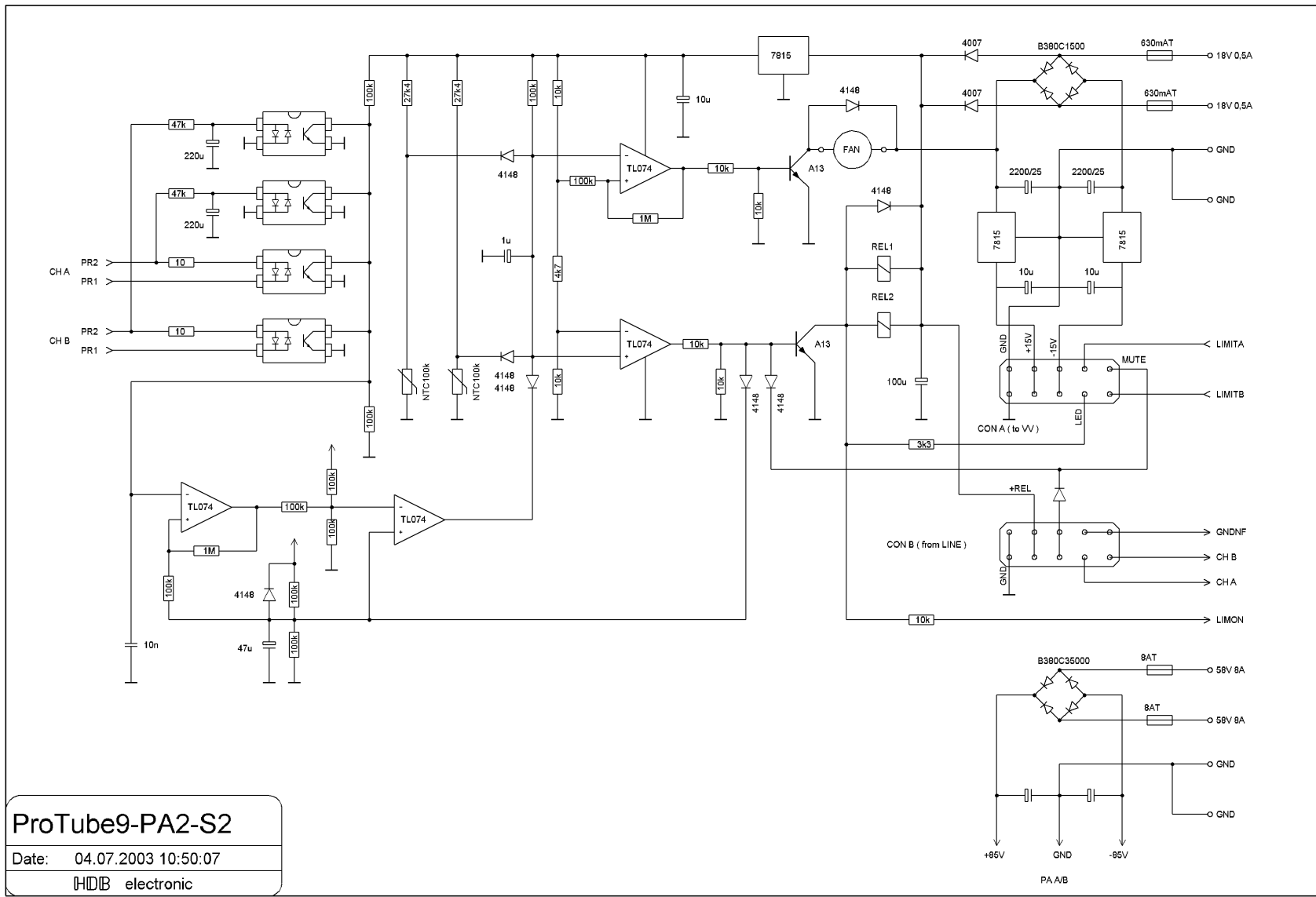




### ProTube9-PA1-S2

Date: 04.07.2003 10:49:02

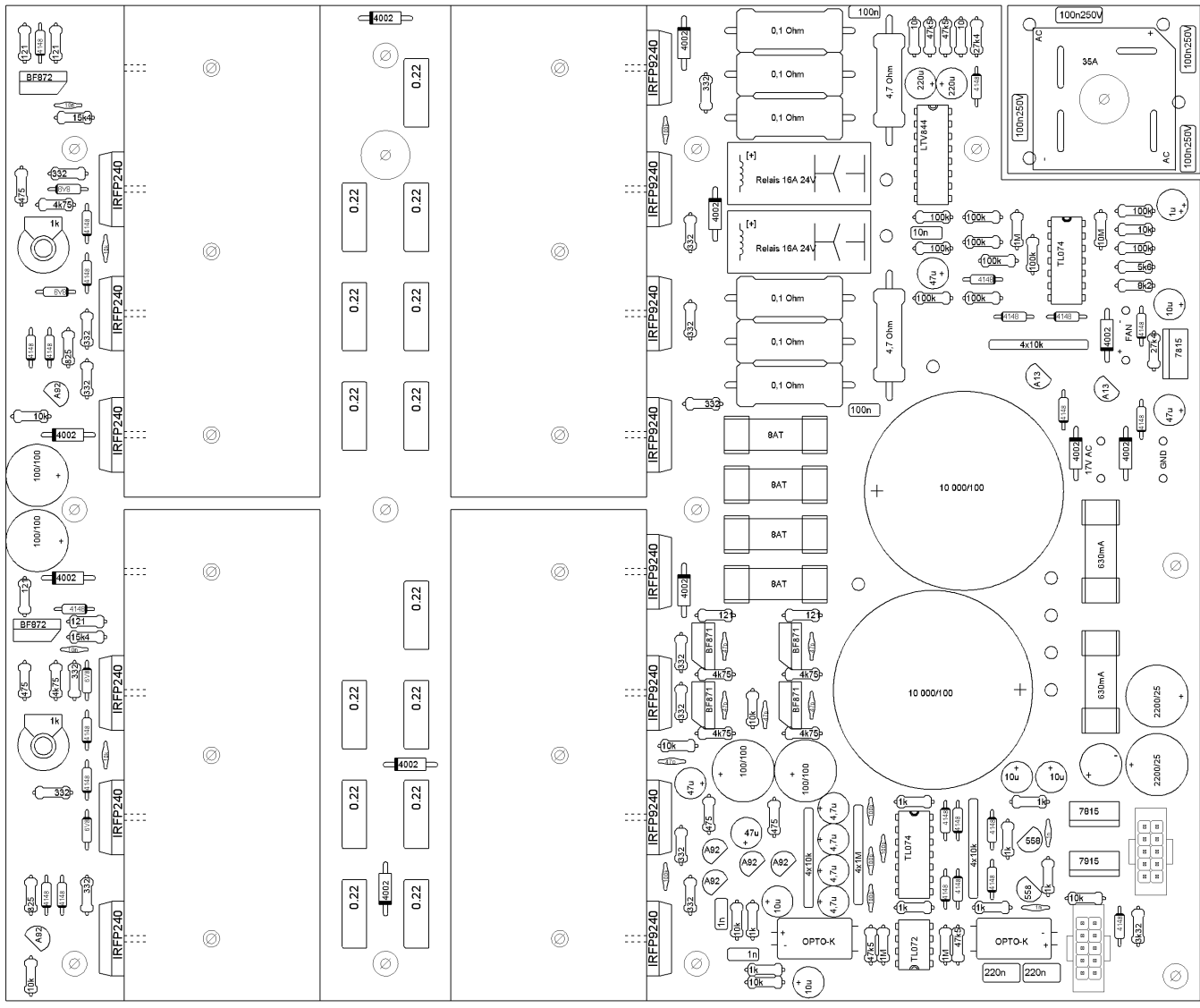
HDB electronic



**ProTube9-PA2-S2**

Date: 04.07.2003 10:50:07

HDB electronic



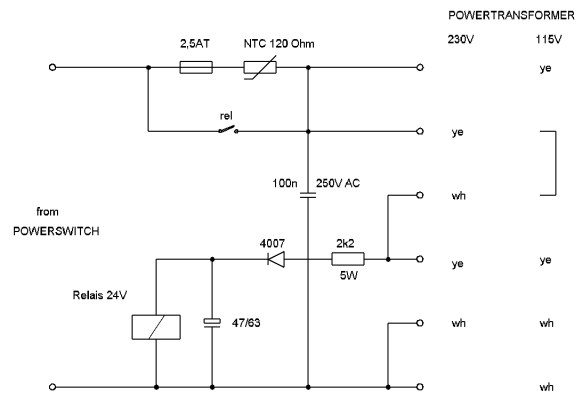
GND GND  
 +24V +24V  
 -24V -24V  
 LED SCHALT LED SCHALT  
 LIMITB MUTE p to TB4V

GND GND  
 +REL +REL  
 SCHALT SCHALT  
 CHA GNDNF  
 CHB GNDNF to TB4V

**ProTube9-PA-B2**

Draw: 04.07.2003 10:37:33

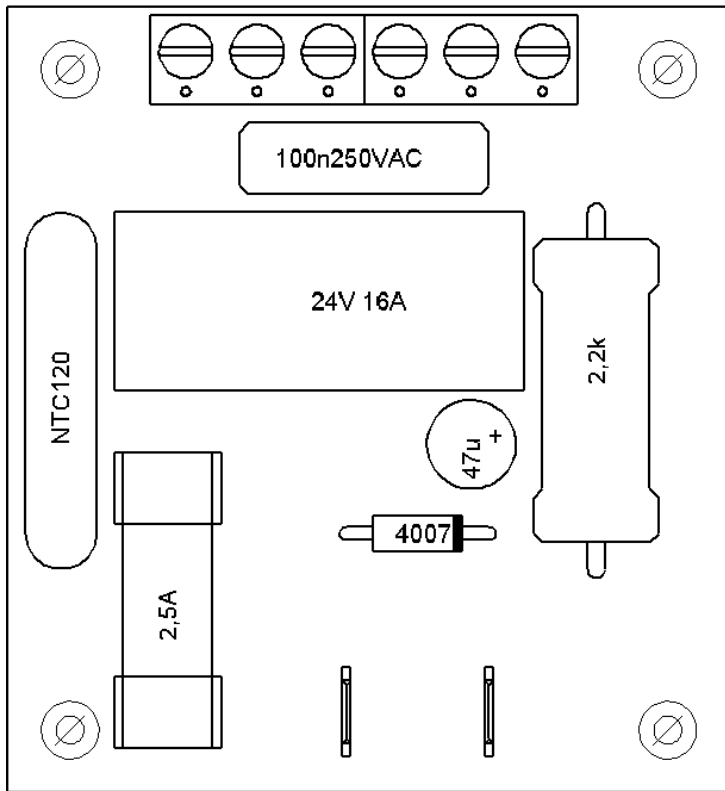
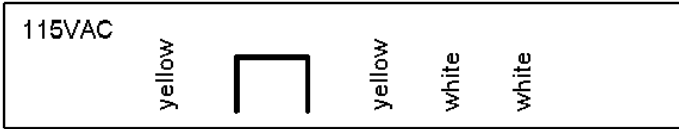
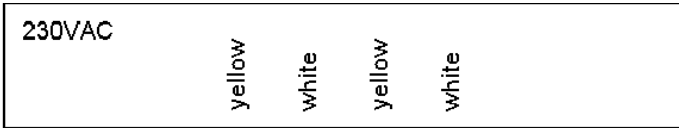
**HDB** electronic



ProTube9-TR-S2

Date: 04.07.2003 10:57:16

HDB electronic



**ProTube9-TR-B2**

---

Draw: 04.07.2003 10:38:55

---

HDB electronic