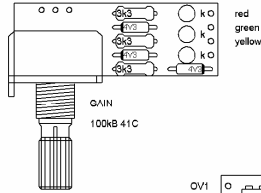


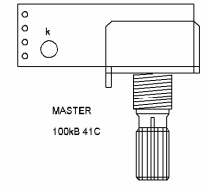
ProFet3-VV-S

Date: 04.07.2003 15:32:01

HDB electronic



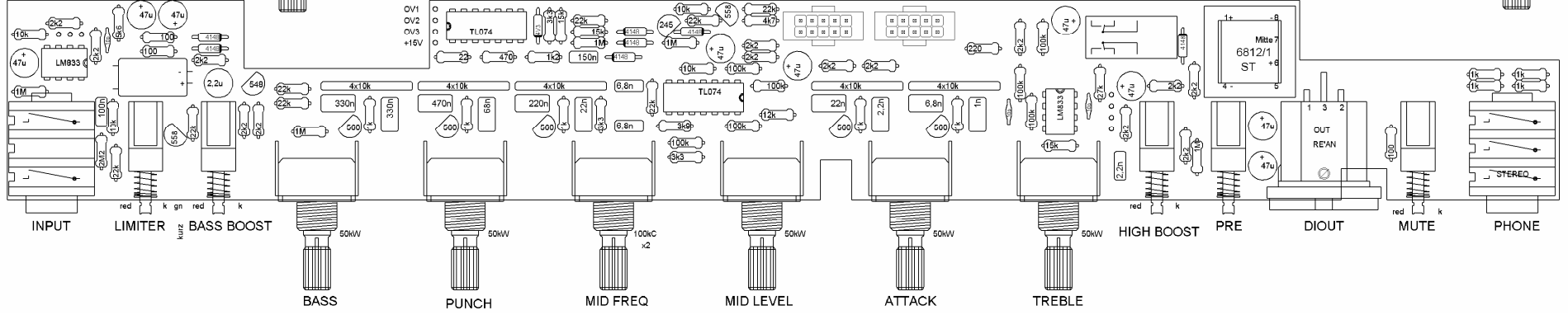
ProFet3-VV-B
 Draw: 04.07.2003 15:27:49
 HDB electronic



FS
 CHASSIS GND
 GND
 TUNE
 LINE SEND

PAIN
 AREL
 +15V
 -15V

PHONES
 LED
 MUTE



INPUT

LIMITER

BASS BOOST

BASS

PUNCH

MID FREQ

MID LEVEL

ATTACK

TREBLE

HIGH BOOST

PRE

DIOUT

MUTE

PHONE

50kV

50kV

100kC x2

50kV

50kV

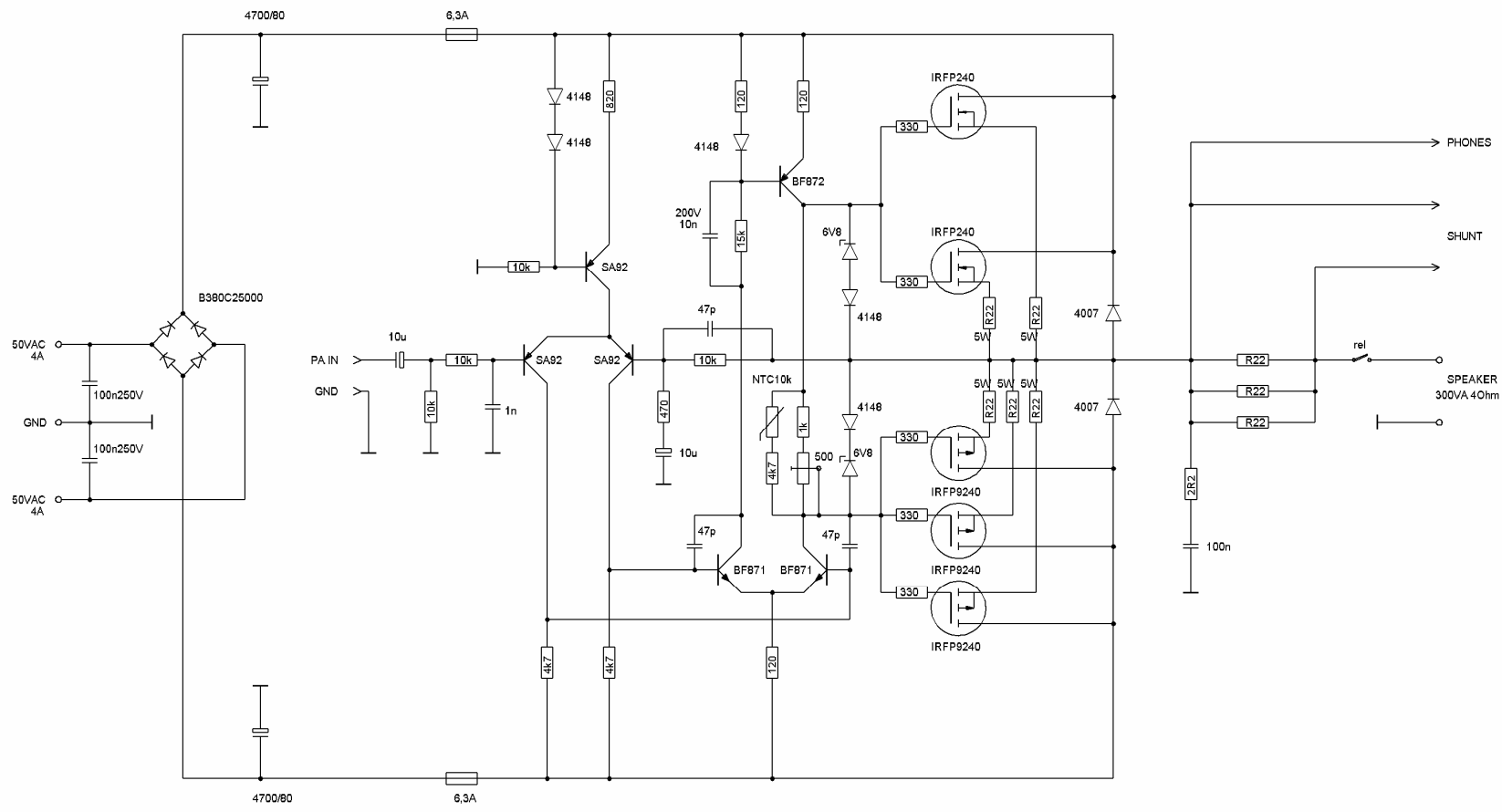
50kV

OUT RE'AN

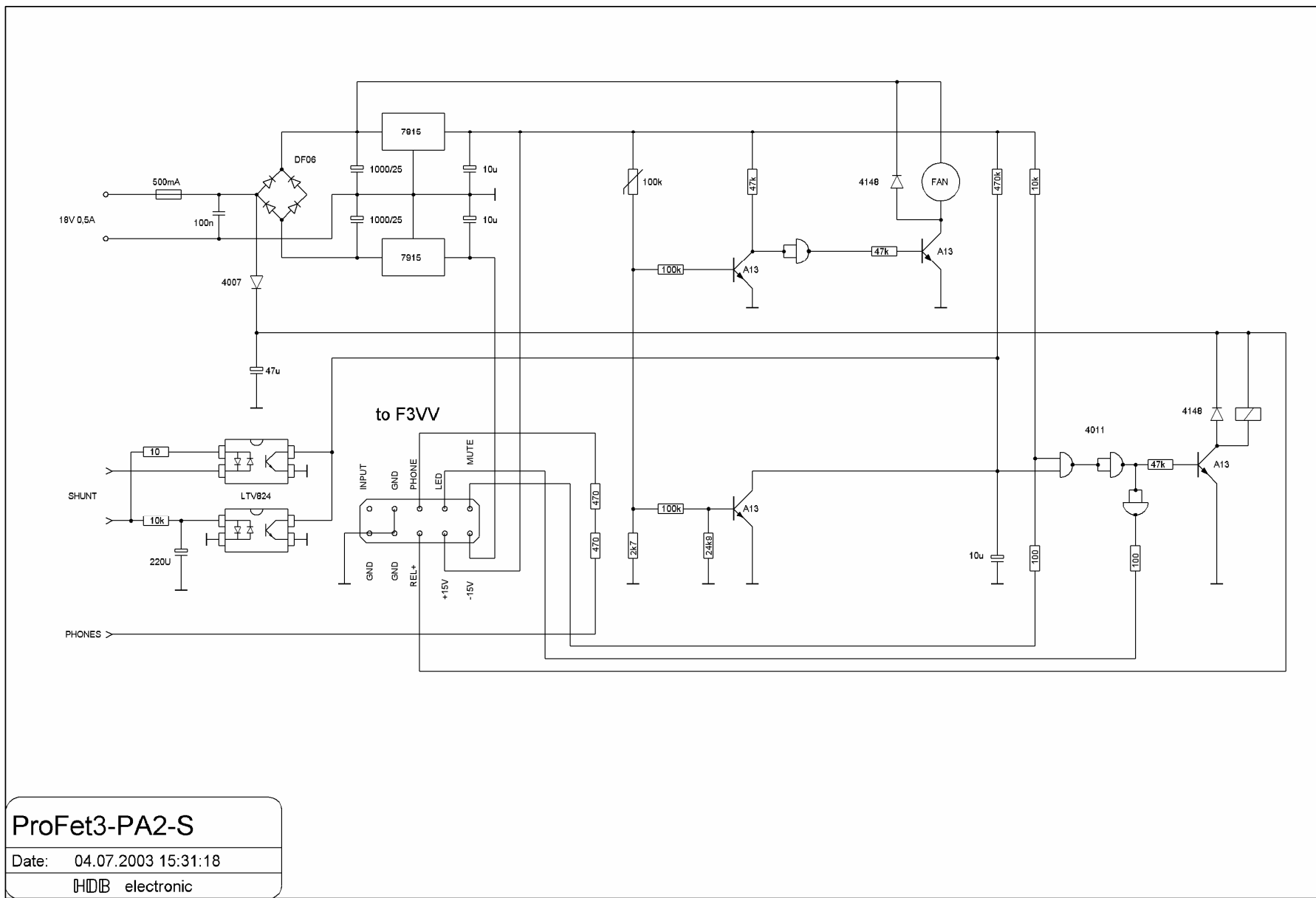
STEREO

OV1
 OV2
 OV3
 +15V

MASTER
 100kB 41C

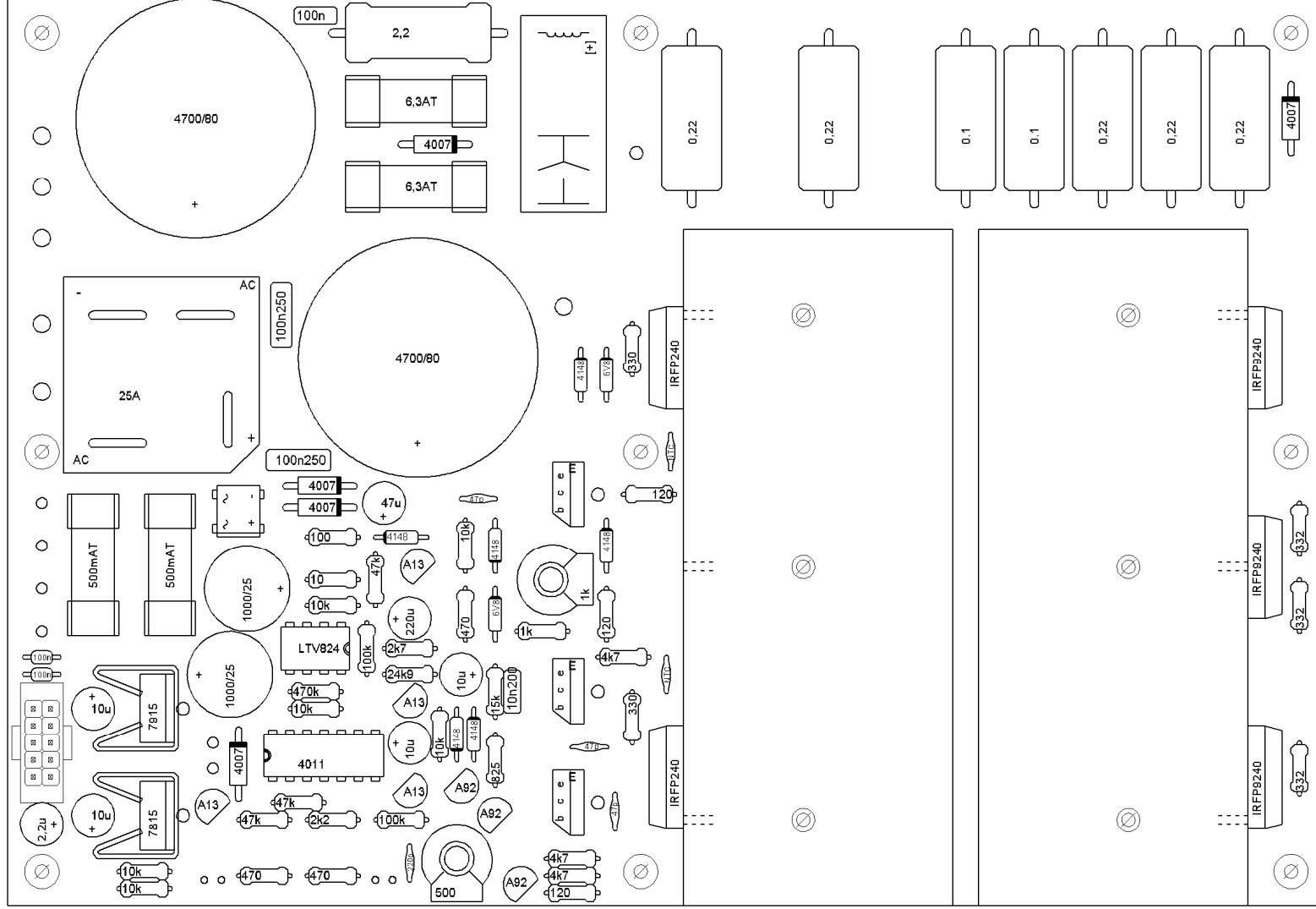


ProFet3-PA1-S
 Date: 04.07.2003 15:30:37
 HD electronic

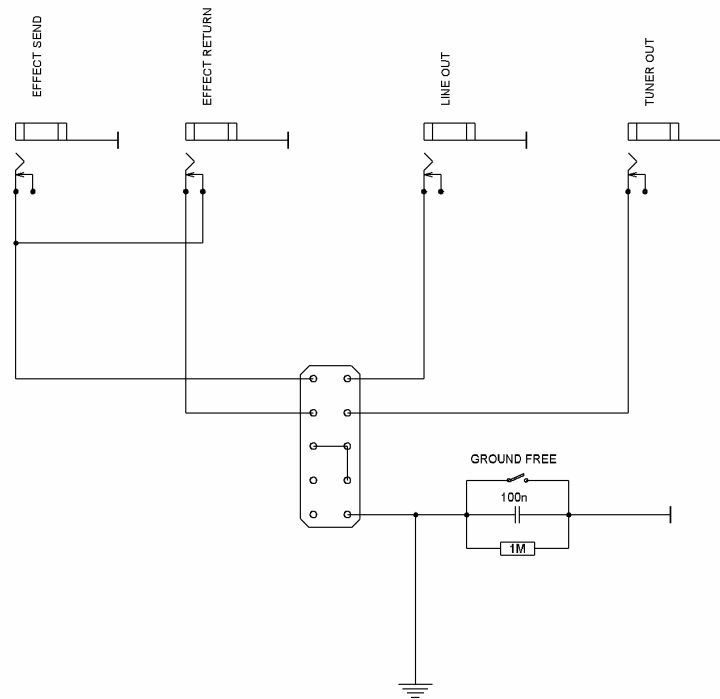


ProFet3-PA2-S
 Date: 04.07.2003 15:31:18
 HD electronic

MUTE -15V
 LED +15V
 PHONES +REL
 GND GND
 PAIN GND



ProFet3-PA-B
 Draw: 04.07.2003 15:25:30
 HOB electronic



ProFet3-BU-S

Date: 04.07.2003 15:29:49

HDB electronic

ProFet3-BU-B

Draw: 04.07.2003 15:24:28

HDB electronic

SEND LINE
RET TUNE
GND GND
FS-S GND
FS CHASSIS

