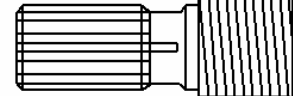
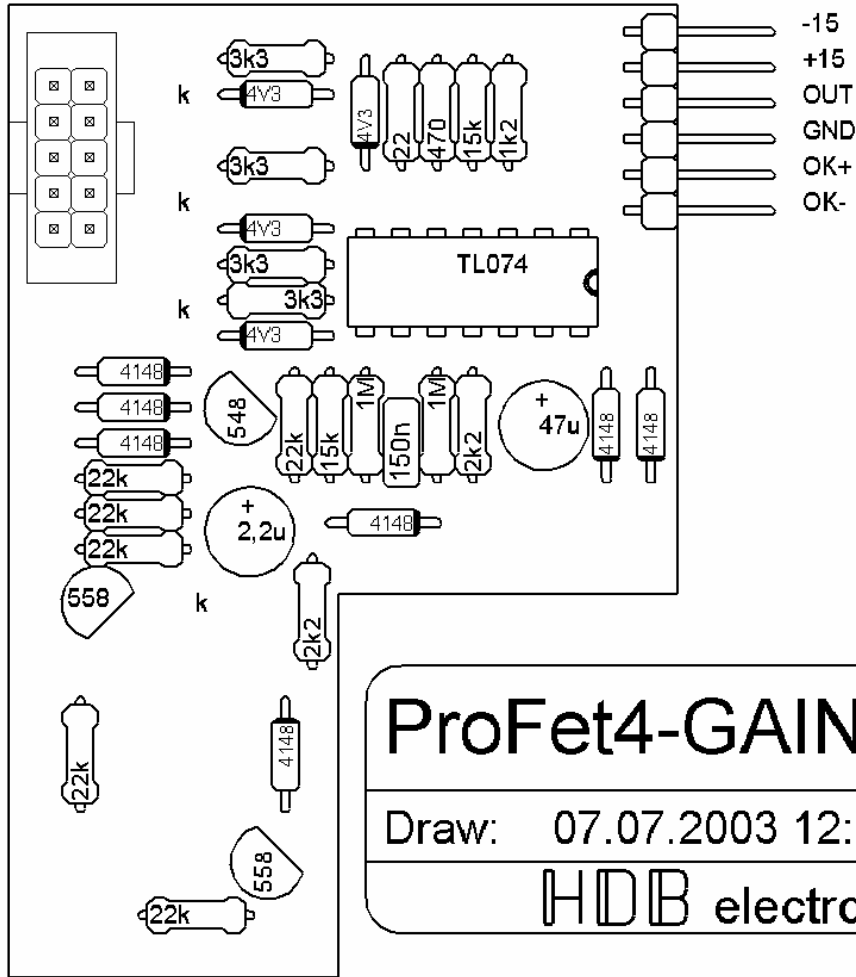


ProFet4-GAIN-S2

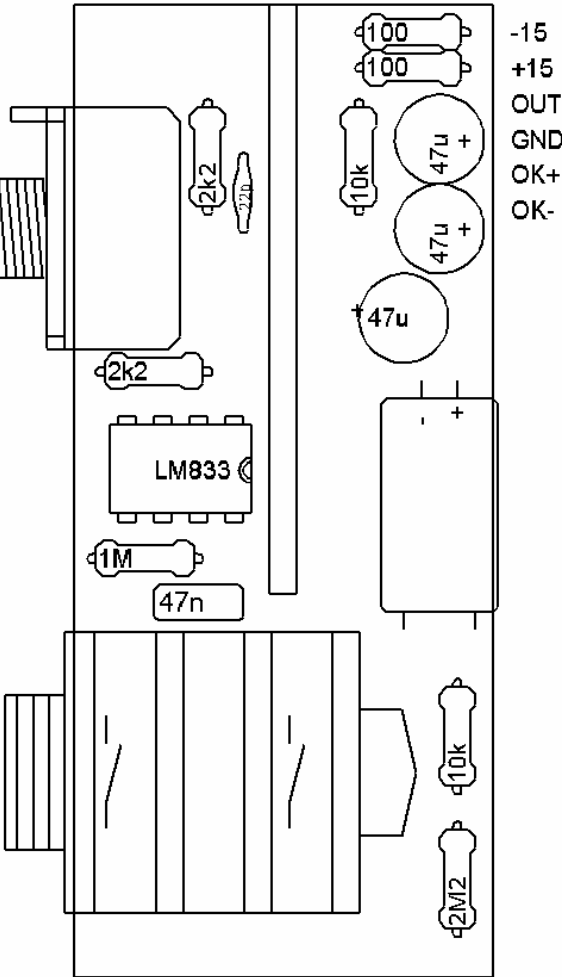
Date: 07.07.2003 12:23:08

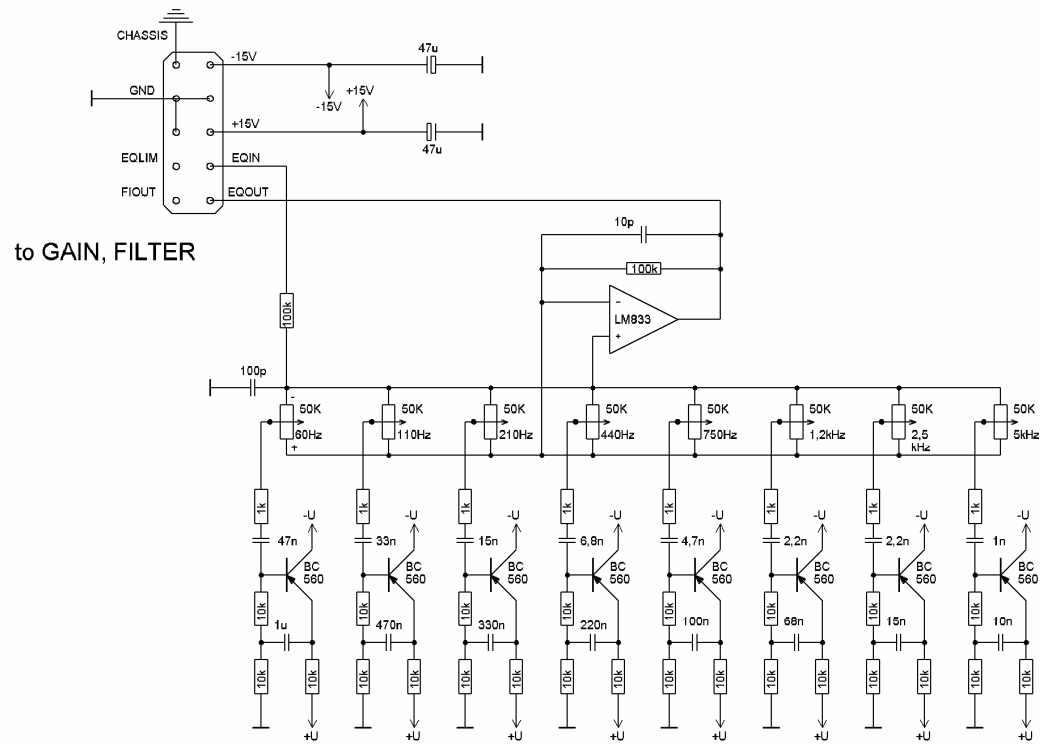
HDB electronic

FRNT -15
 GND GND
 GND +15
 EQLIM EQIN
 FIOUT EQOUT



ProFet4-GAIN-B2
 Draw: 07.07.2003 12:50:09
 HDB electronic





Profet4-EQ-S2

Date: 07.07.2003 12:30:36

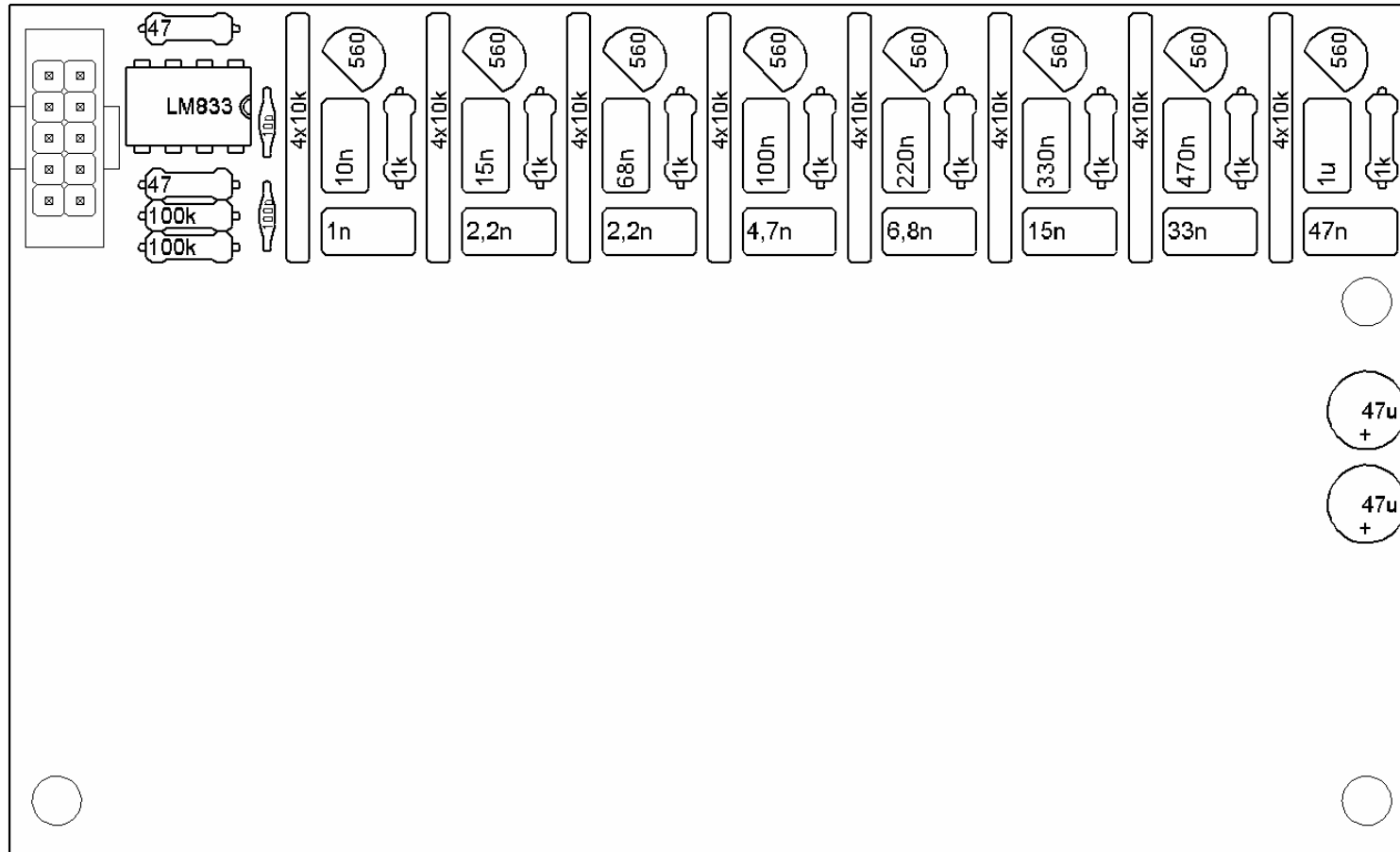
HDB electronic

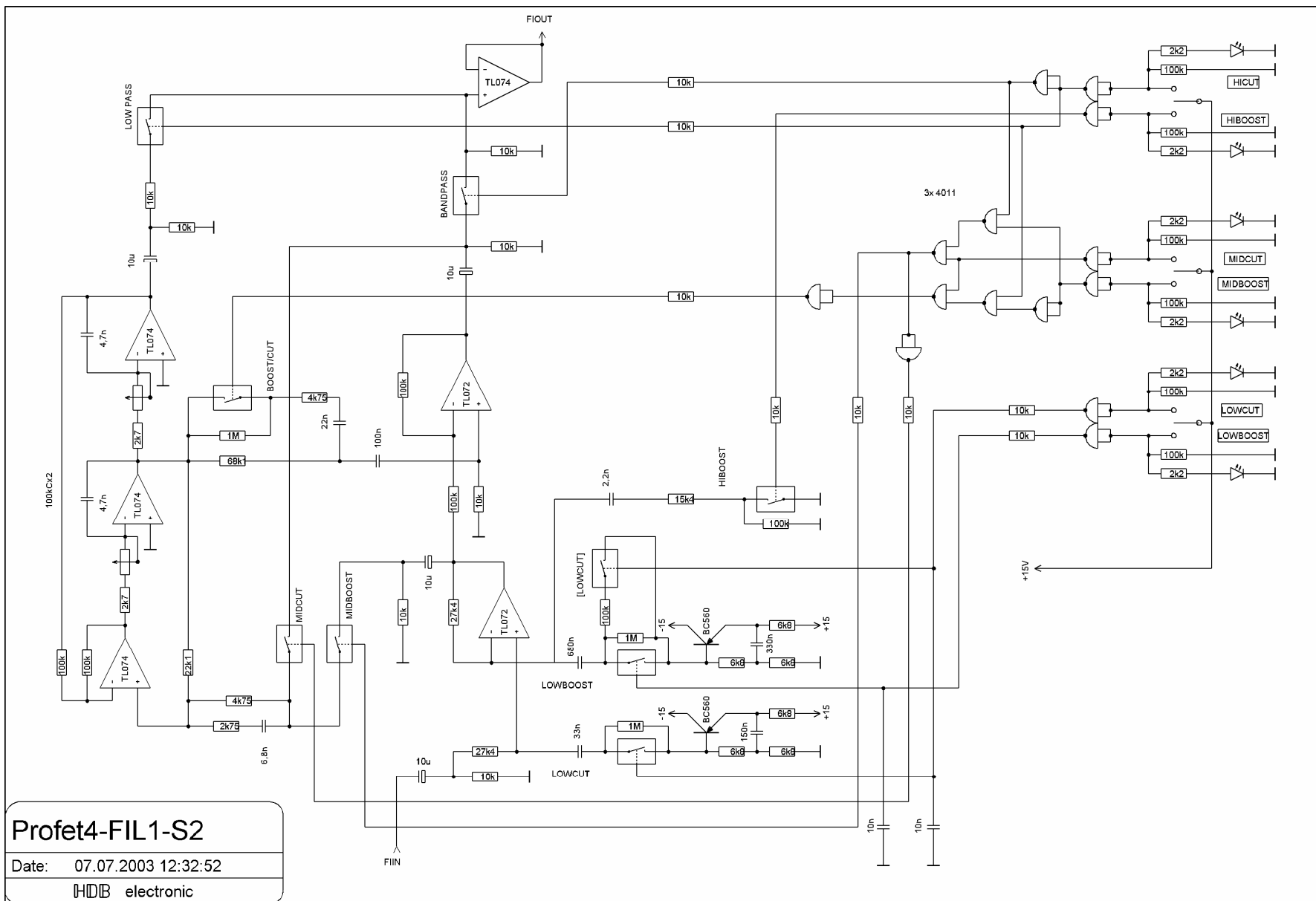
ProFet4-EQ-B2

Draw: 07.07.2003 11:51:18

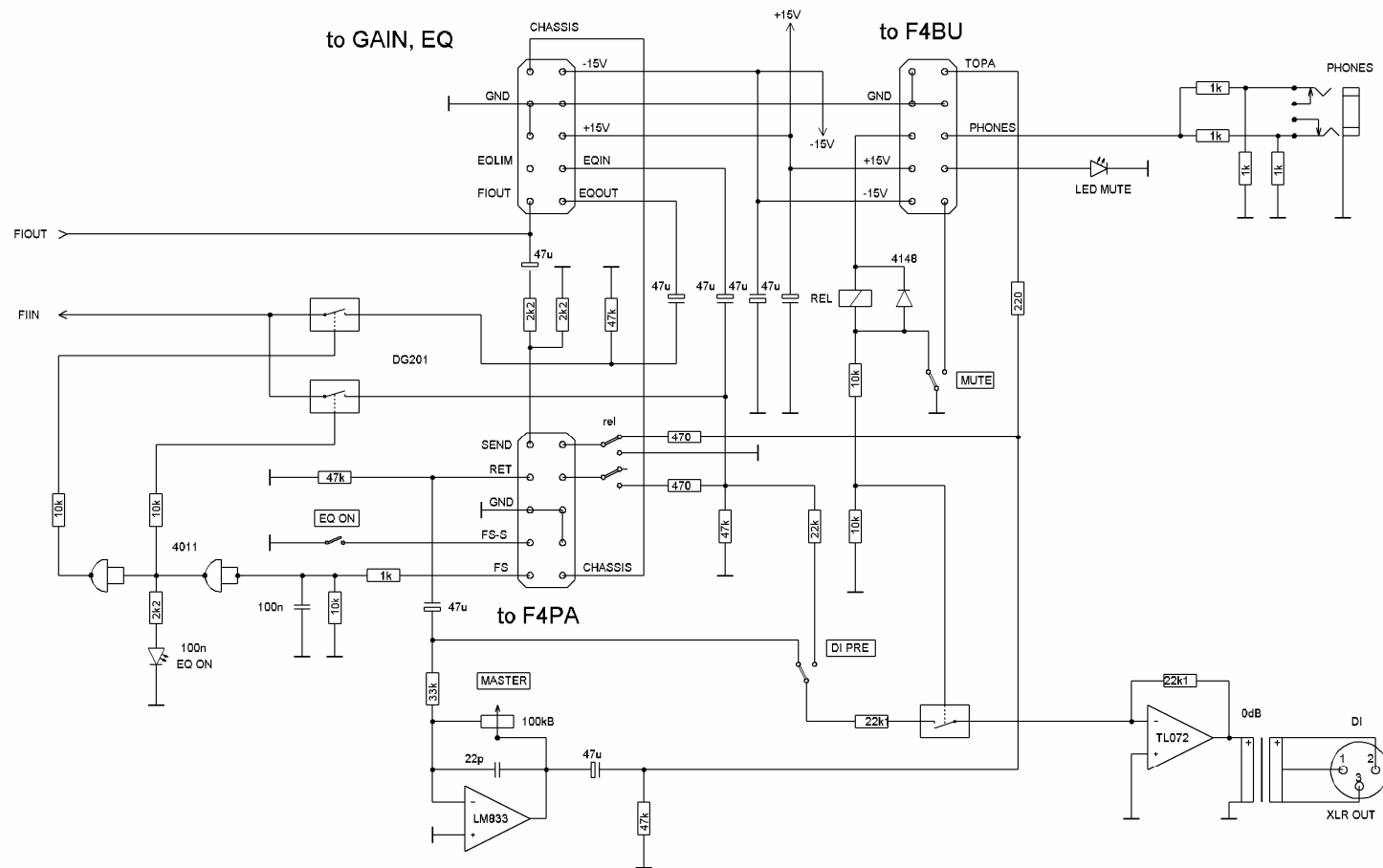
HDB electronic

FRNT -15
GND GND
GND +15
EQLIM EQIN
FIOUT EQOUT





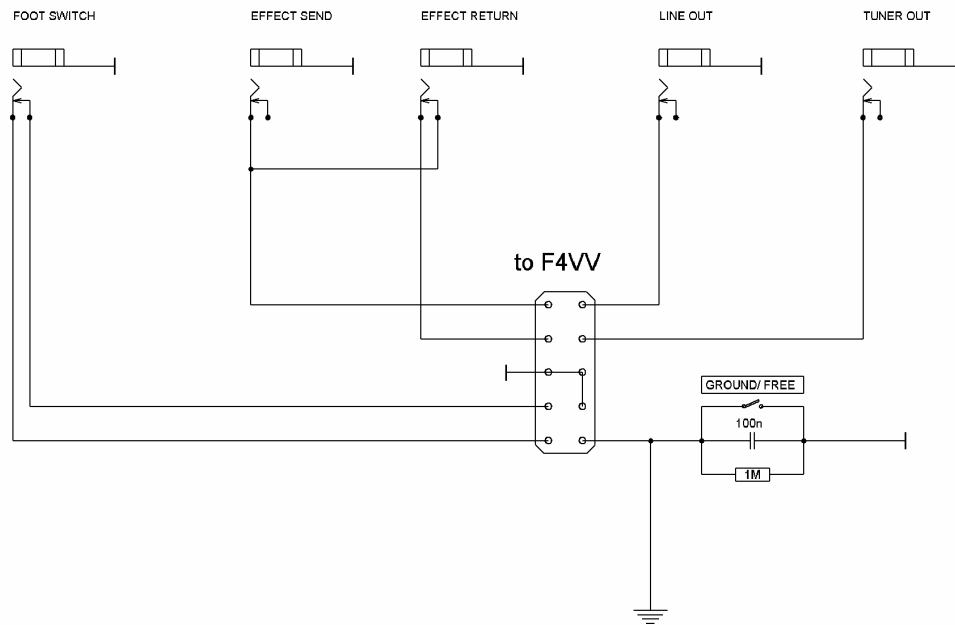
Profet4-FIL1-S2
 Date: 07.07.2003 12:32:52
 HDB electronic



ProFet4-FIL2-S2

Date: 07.07.2003 12:37:24

HDB electronic



ProFet4-BU-S2

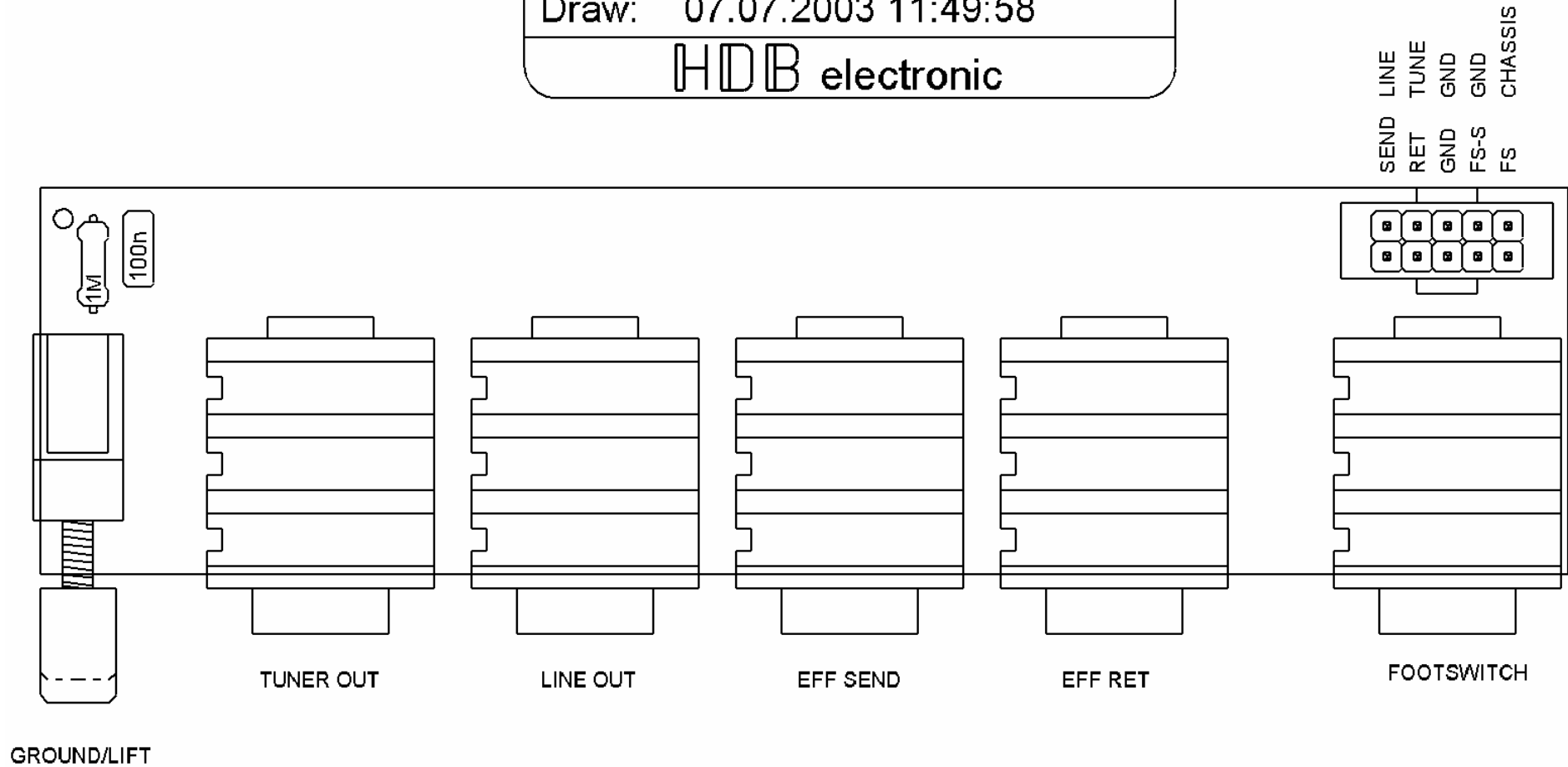
Date: 07.07.2003 12:39:04

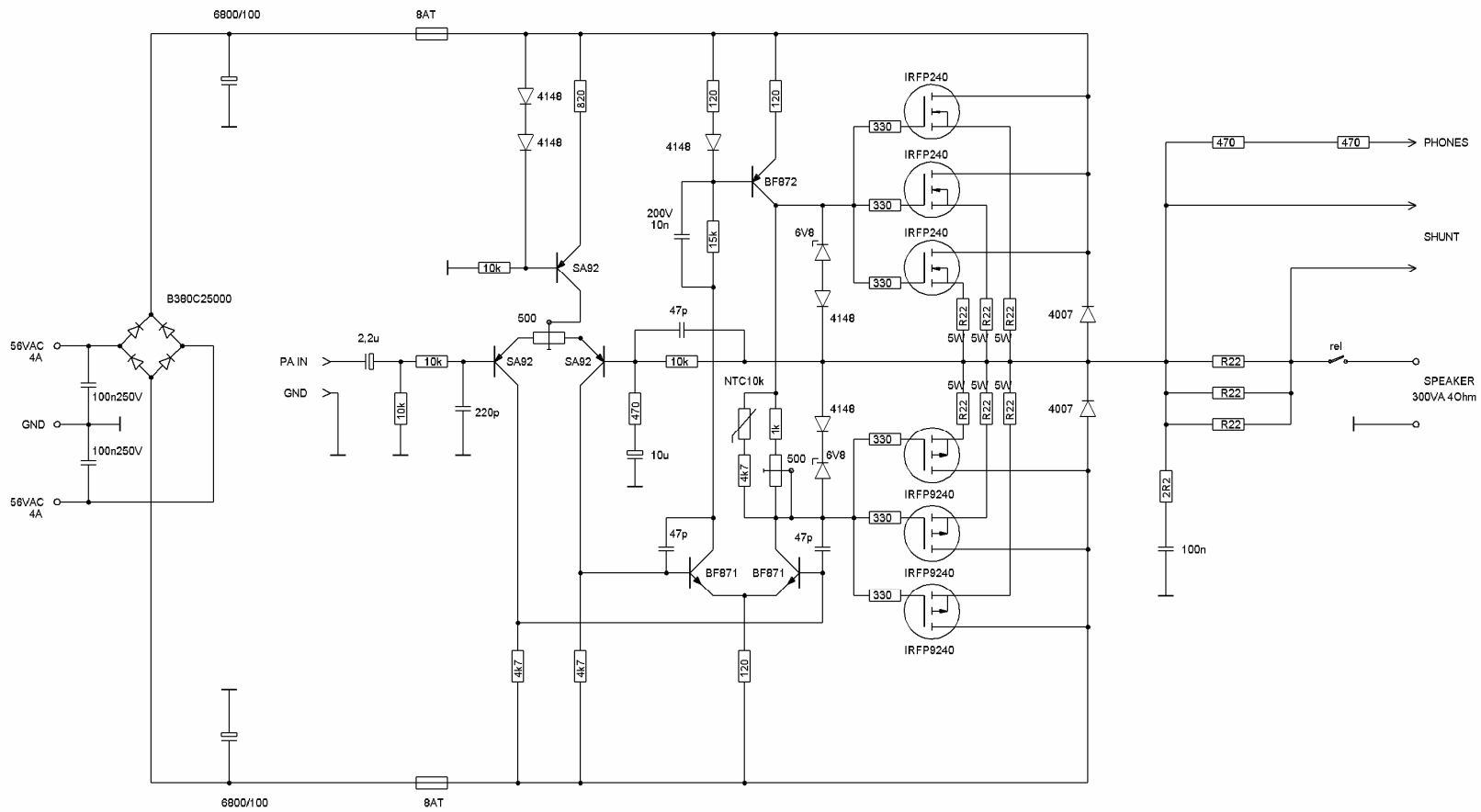
HDB electronic

ProFet4-BU-B2

Draw: 07.07.2003 11:49:58

HDB electronic





ProFet4-PA1-S2

Date: 07.07.2003 11:54:11

HDB electronic

