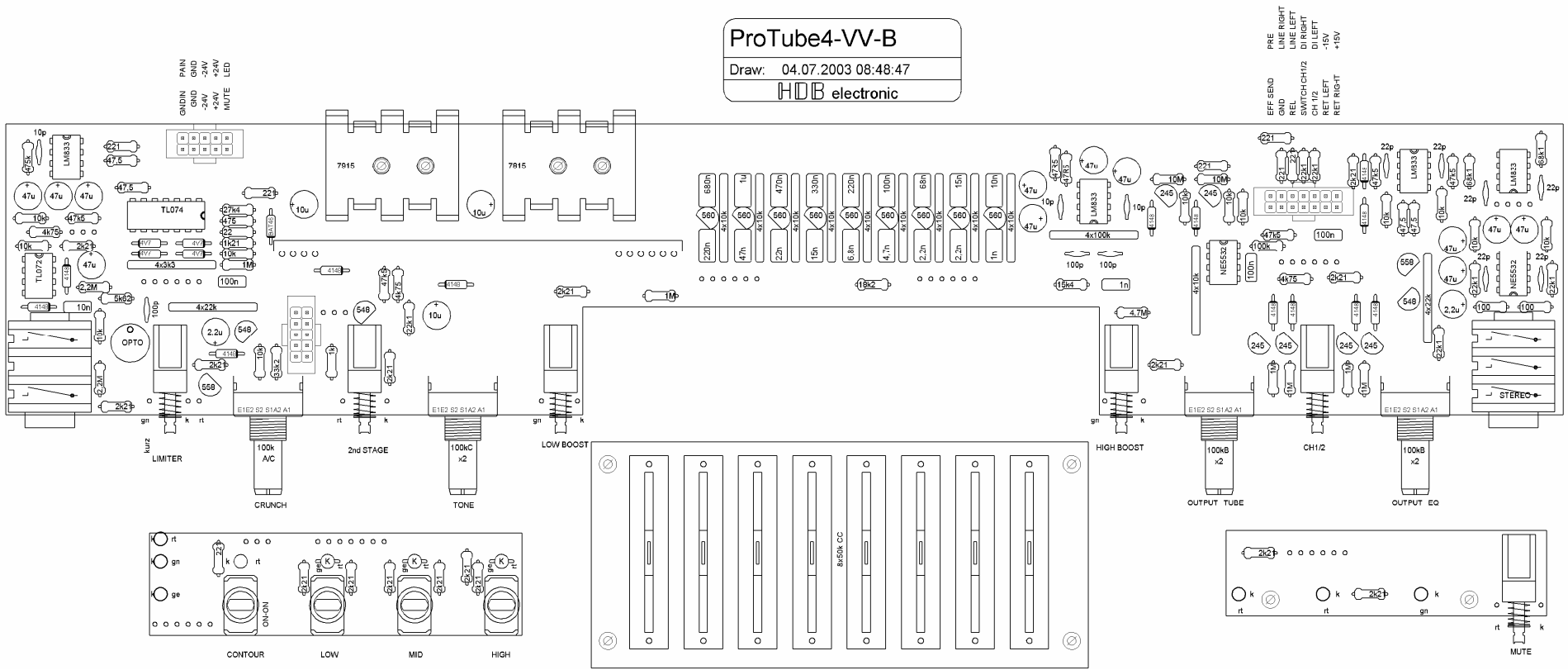


**ProTube4-VV-S**  
 Date: 04.07.2003 08:53:24  
 HDB electronic

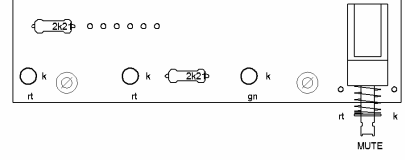
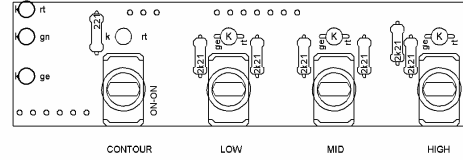
ProTube4-VV-B  
 Draw: 04.07.2003 08:48:47  
 HOB electronic

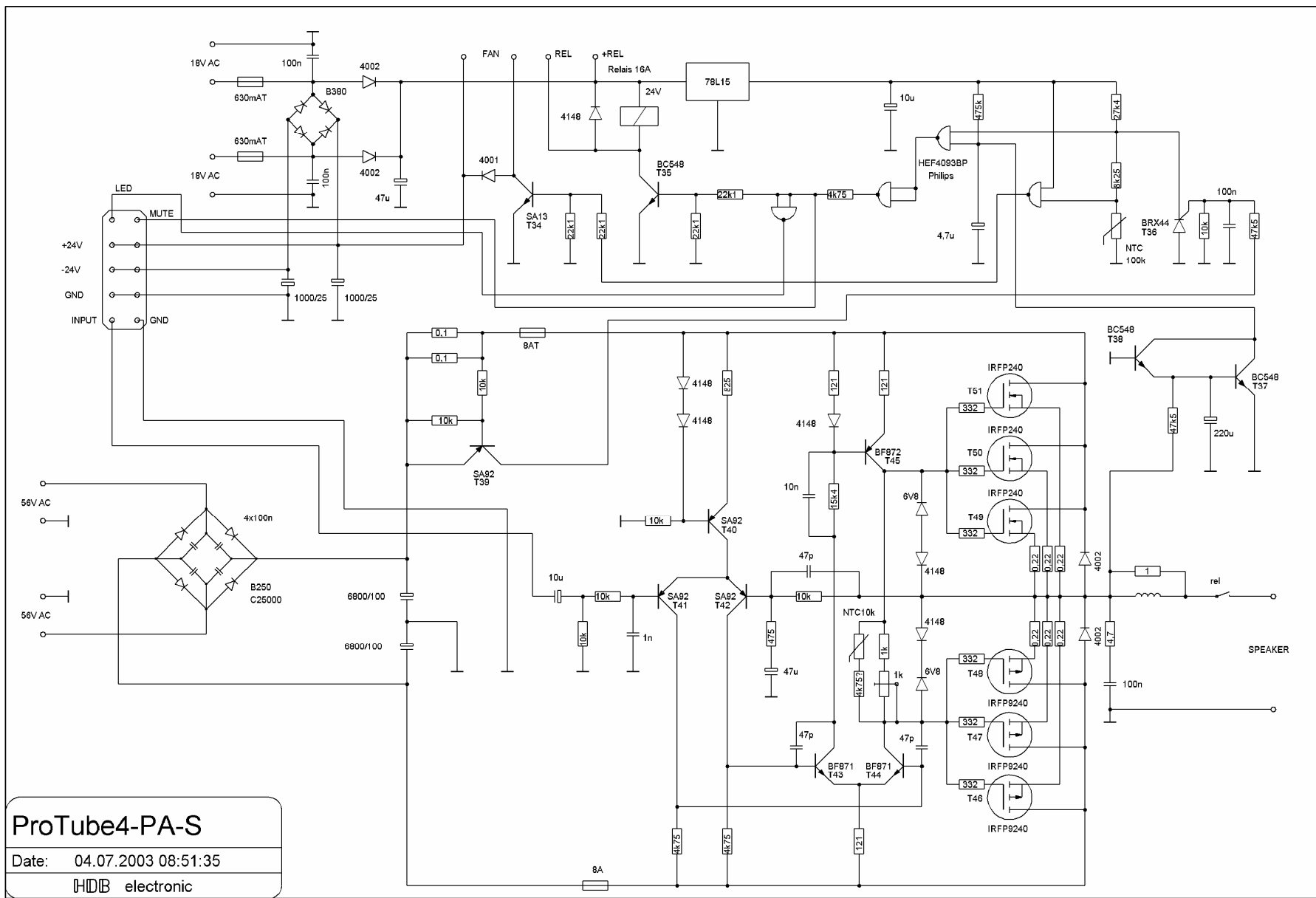


GNDIN PAIR  
 GND GND  
 -24V -24V  
 PAIR PAIR  
 MUTE LED

PRE  
 LINE RIGHT  
 LINE LEFT  
 DIRIGHT  
 DIRLEFT  
 -15V  
 +15V

EFF SEND  
 GND  
 REL  
 SWITCH-CH1/2  
 RET LEFT  
 RET RIGHT





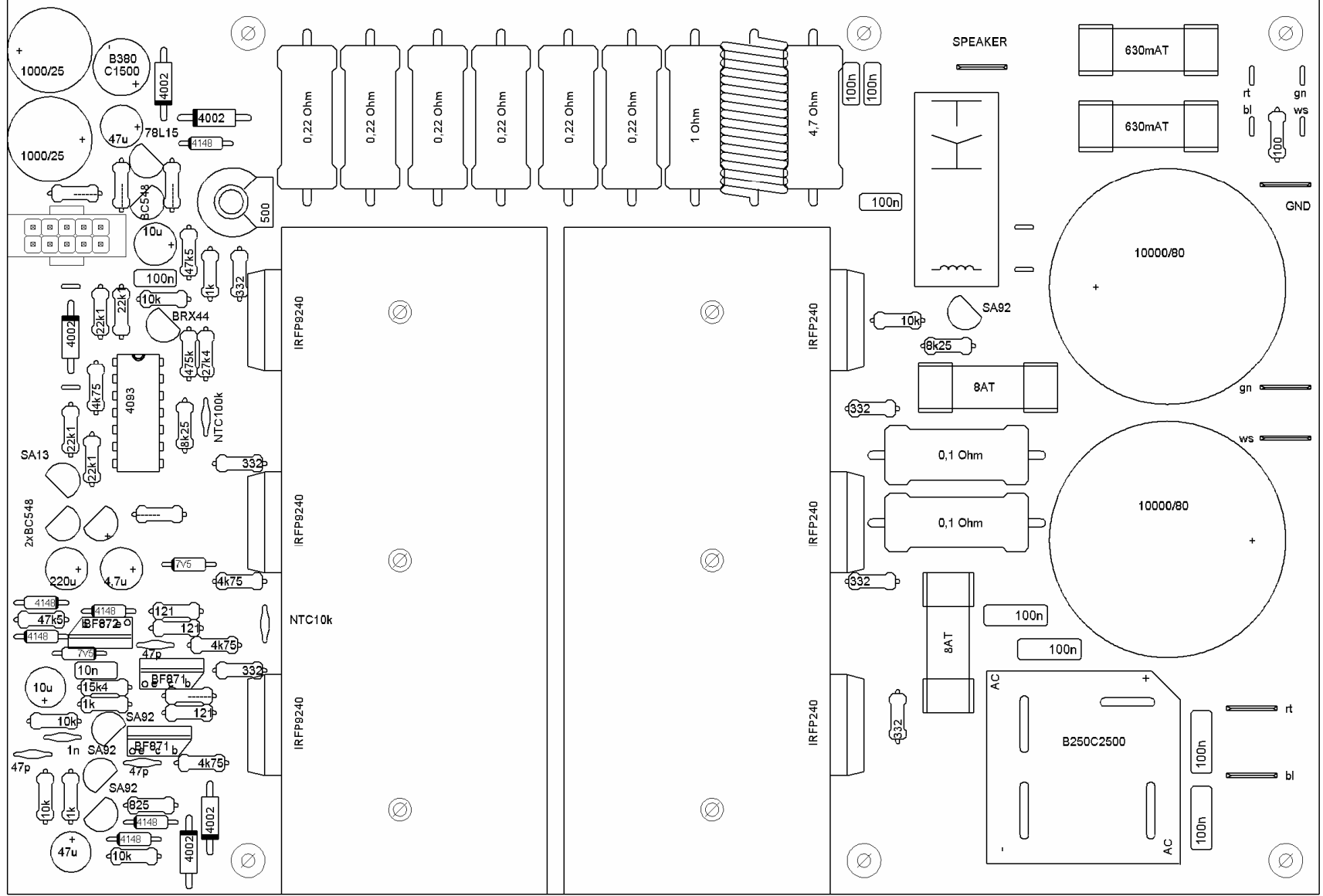
ProTube4-PA-S  
Date: 04.07.2003 08:51:35  
HDB electronic

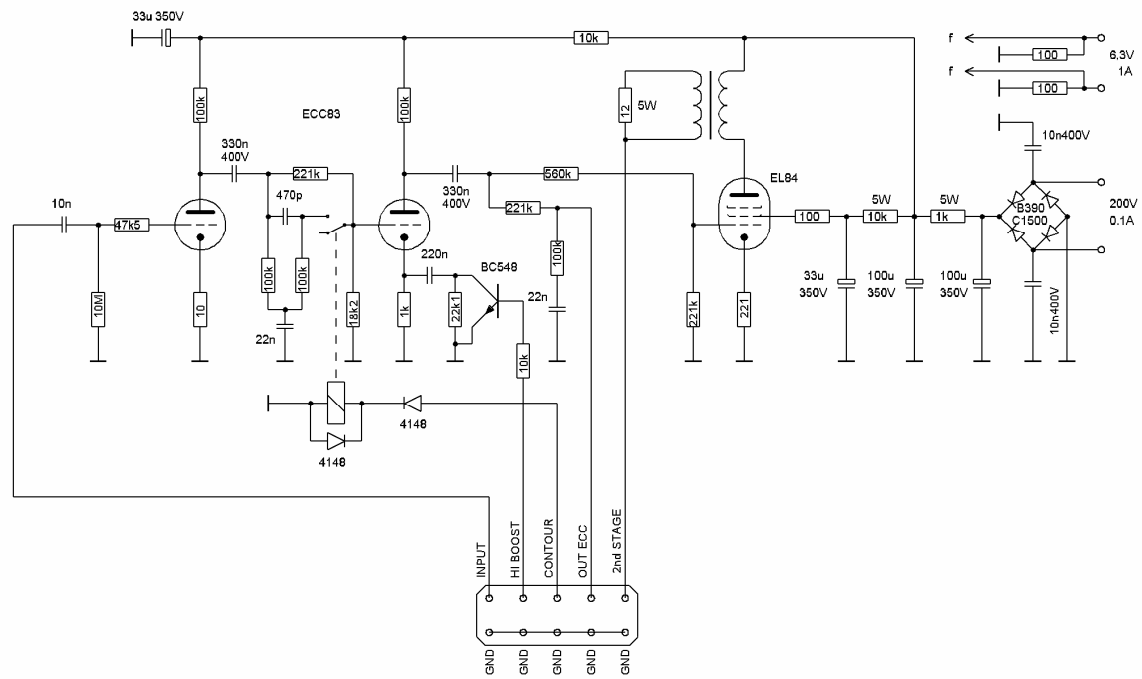
# ProTube4-PA-B

Draw: 04.07.2003 08:46:45

HDB electronic

GND PAIN 6 T4VV  
 GND GND -24V  
 -24V -24V  
 +24V +24V  
 MUTE LED





ProTube4-TUBE-S

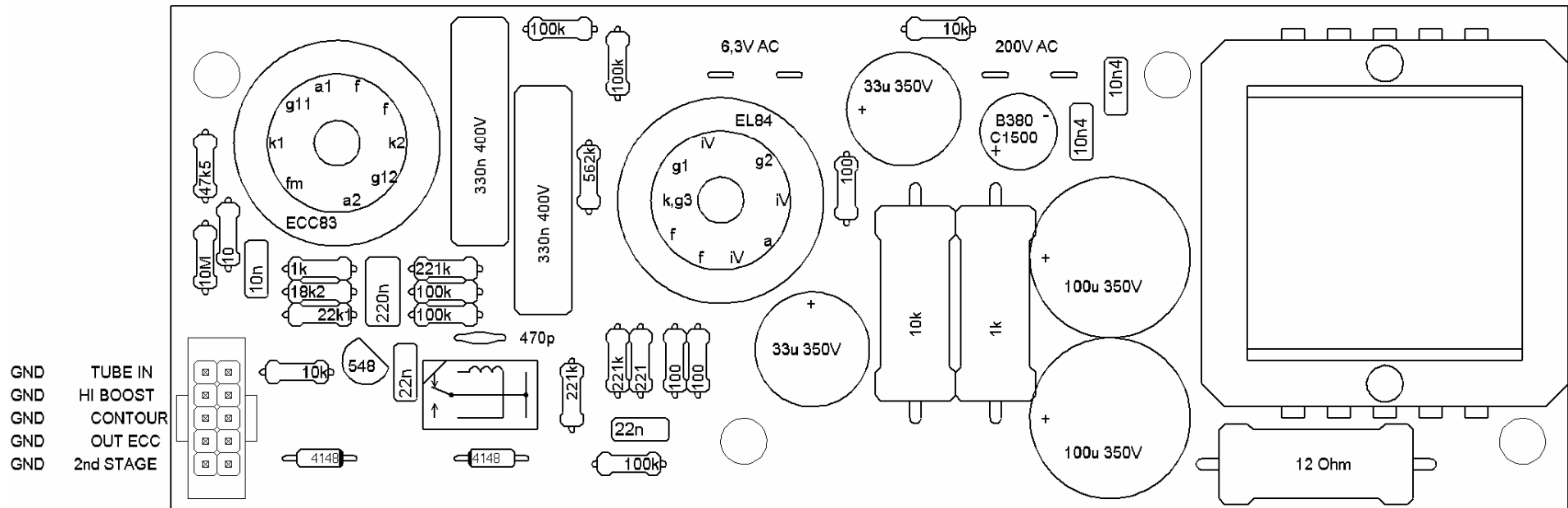
Date: 04.07.2003 08:56:52

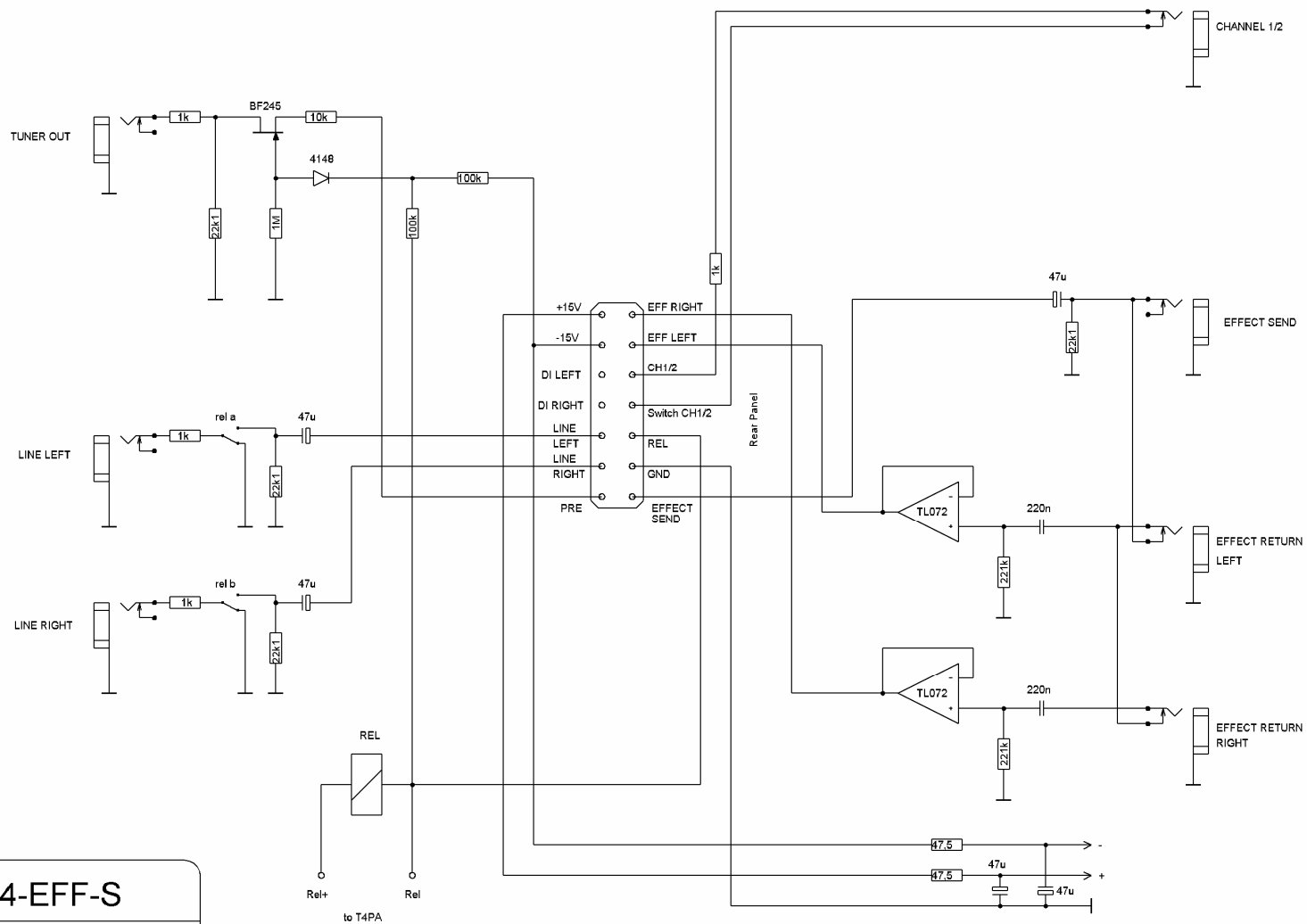
HDB electronic

# ProTube4-TUBE-B

Draw: 04.07.2003 08:47:33

HDB electronic





# ProTube4-EFF-S

Date: 04.07.2003 08:58:19

HDB electronic

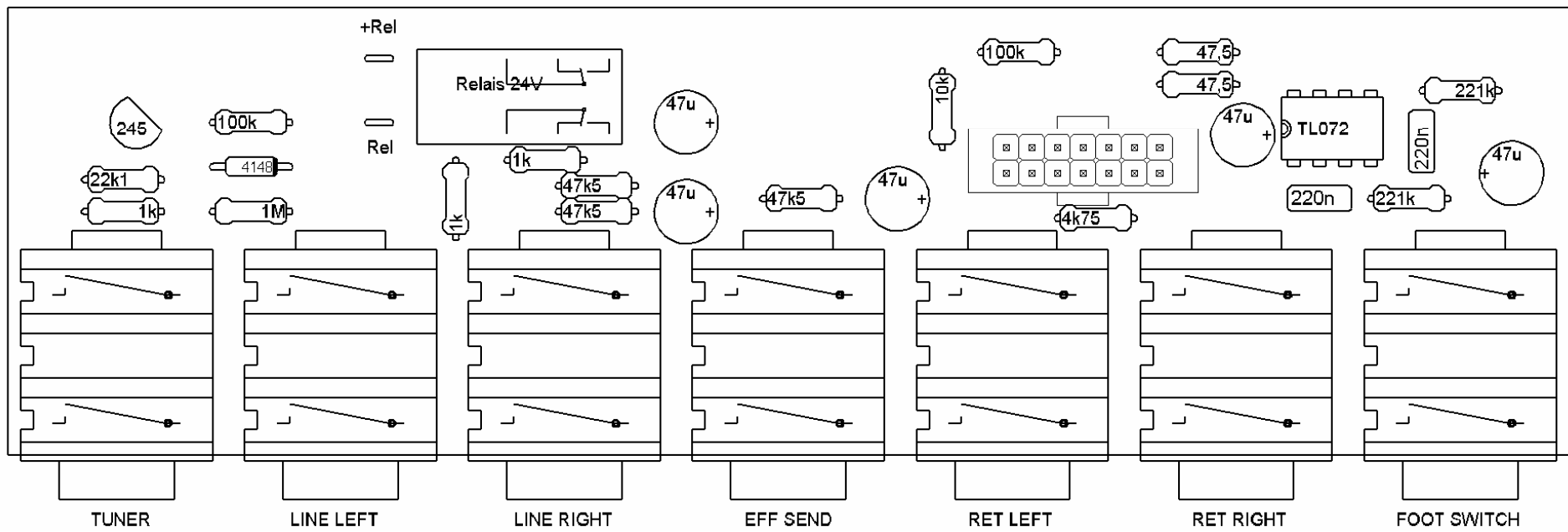
# ProTube4-EFF-B

Draw: 04.07.2003 08:44:26

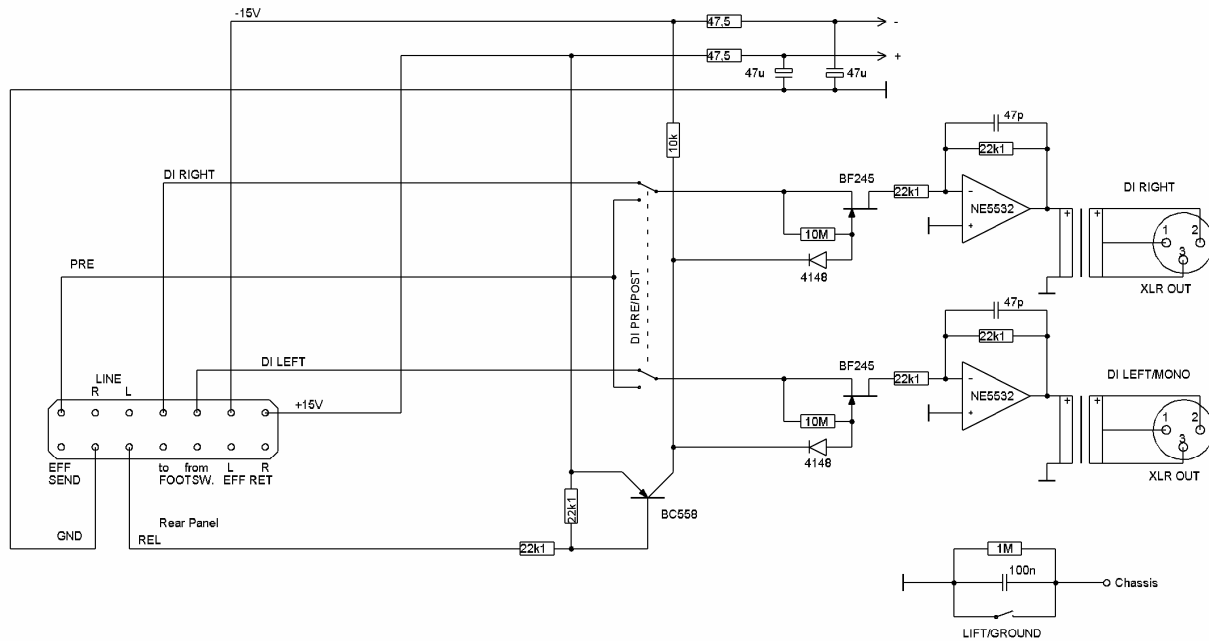
HDB electronic

PRE  
LINE RIGHT  
LINE LEFT  
DI RIGHT  
DI LEFT  
-15V  
+15V

EFF SEND  
GND  
REL  
SWITCH CH1/2  
CH 1/2  
RET LEFT  
RET RIGHT







## ProTube4-DI-S

Date: 04.07.2003 08:59:58

HDB electronic

PRE  
 LINE RIGHT  
 LINE LEFT  
 DI RIGHT  
 DI LEFT  
 -15V  
 +15V  
 EFF SEND  
 GND  
 REL  
 SWITCH CH1/2  
 CH 1/2  
 RET LEFT  
 RET RIGHT

# ProTube4-DI-B

Draw: 04.07.2003 08:41:28

HDB electronic

