

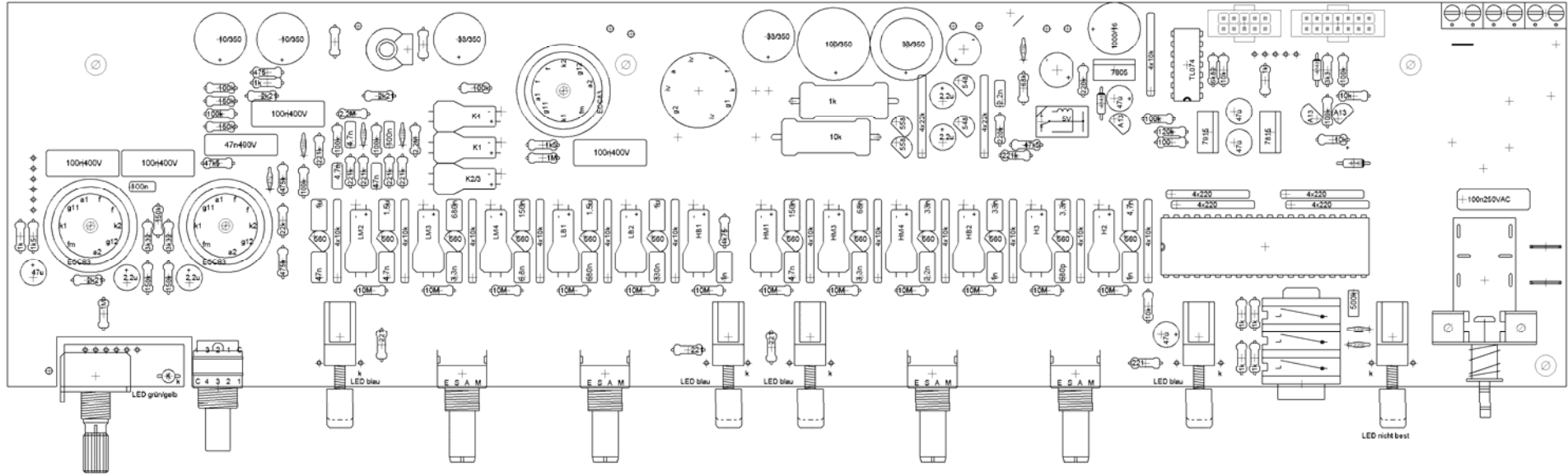
# QUAD4-VV-B1

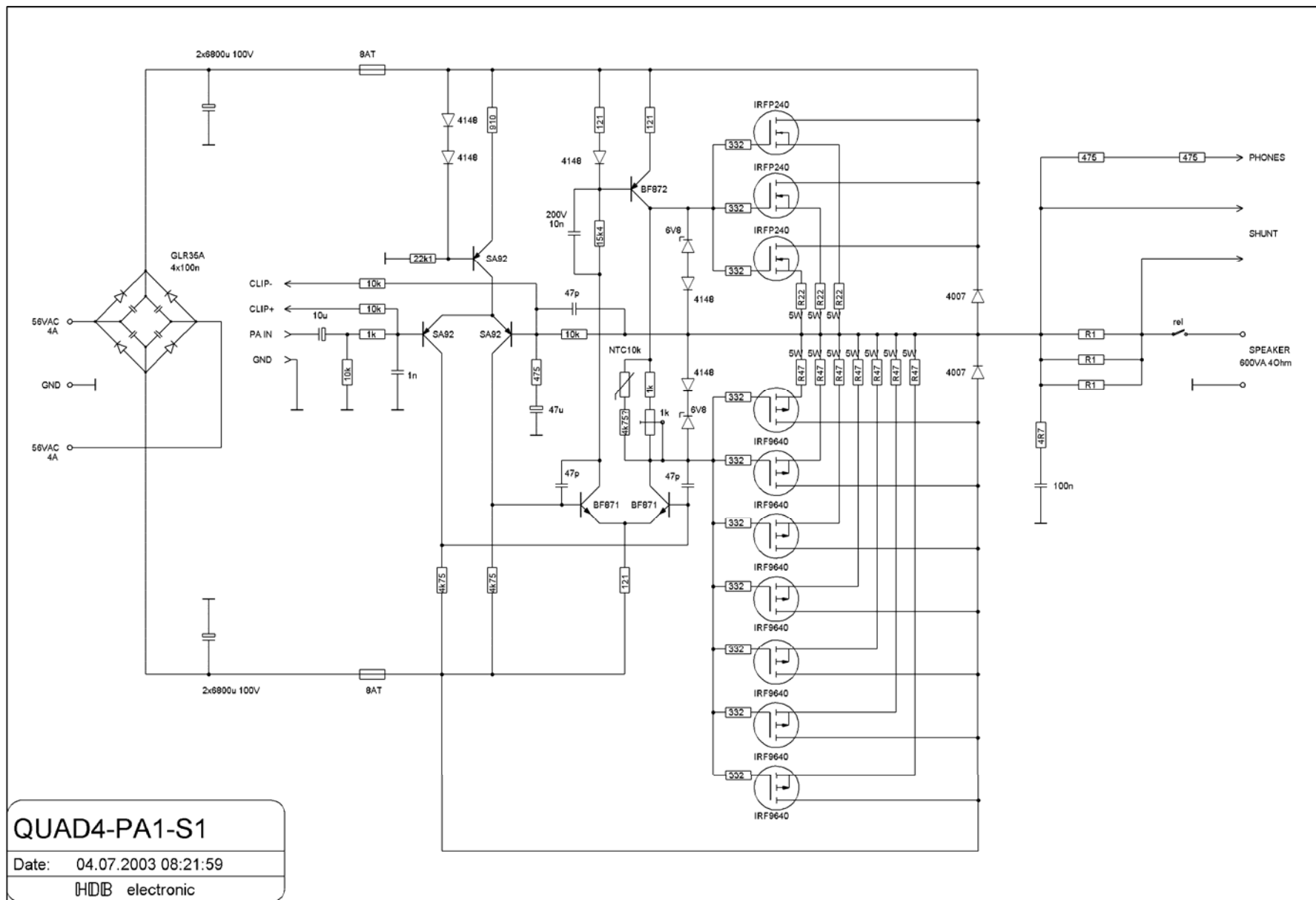
Draw: 04.07.2003 07:40:27

HDB electronic

-15 SEND LINE OUT  
PRE GND  
GND GND  
+15V REL  
+5V REL  
-5V REL

GND N  
GND GND  
REL+ MUTE  
REL- M MUTE  
LED L M REL  
-24 PHONES  
GND GND

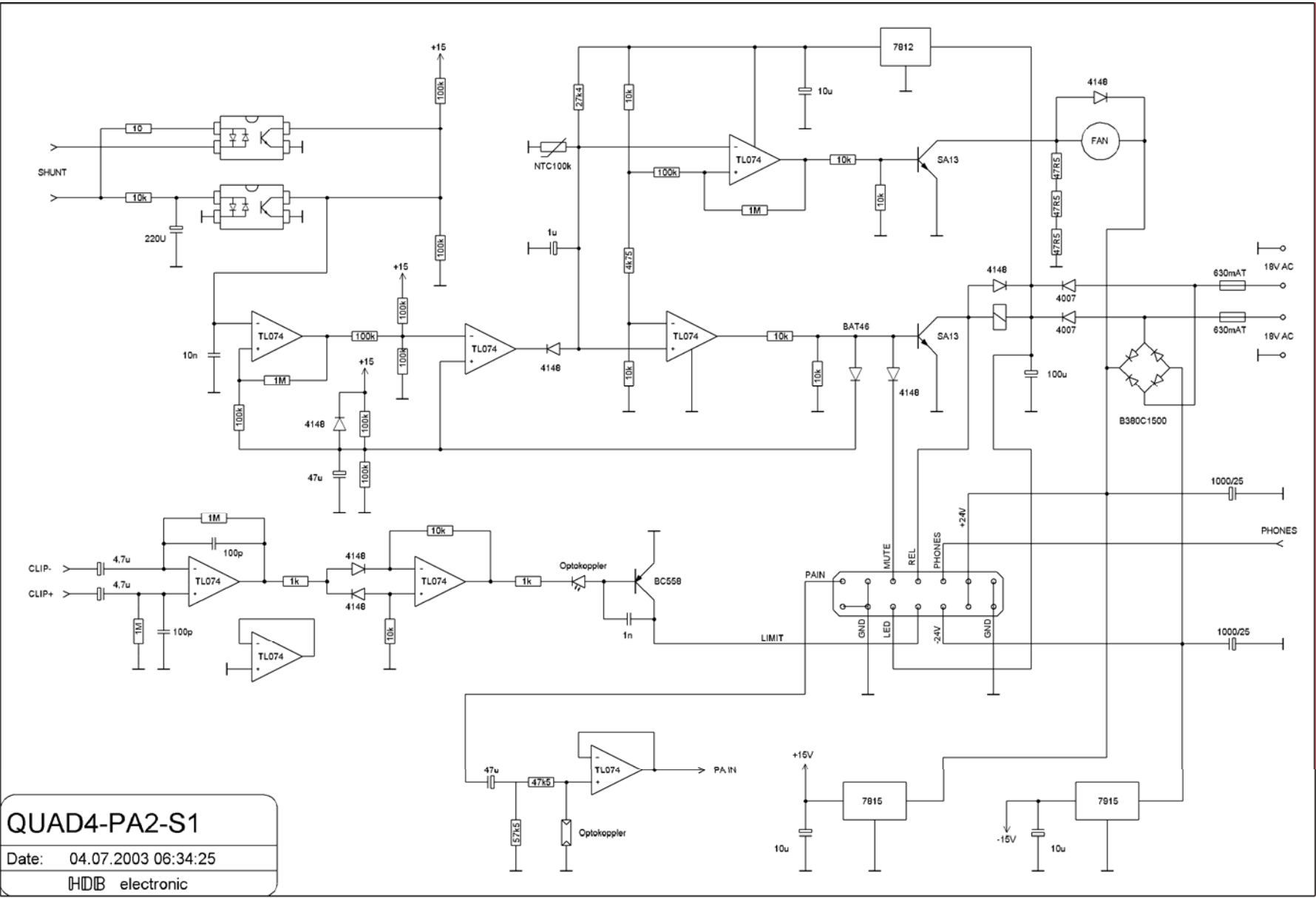


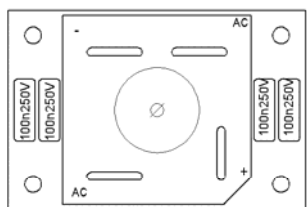


# QUAD4-PA2-S1

Date: 04.07.2003 06:34:25

HIDB electronic



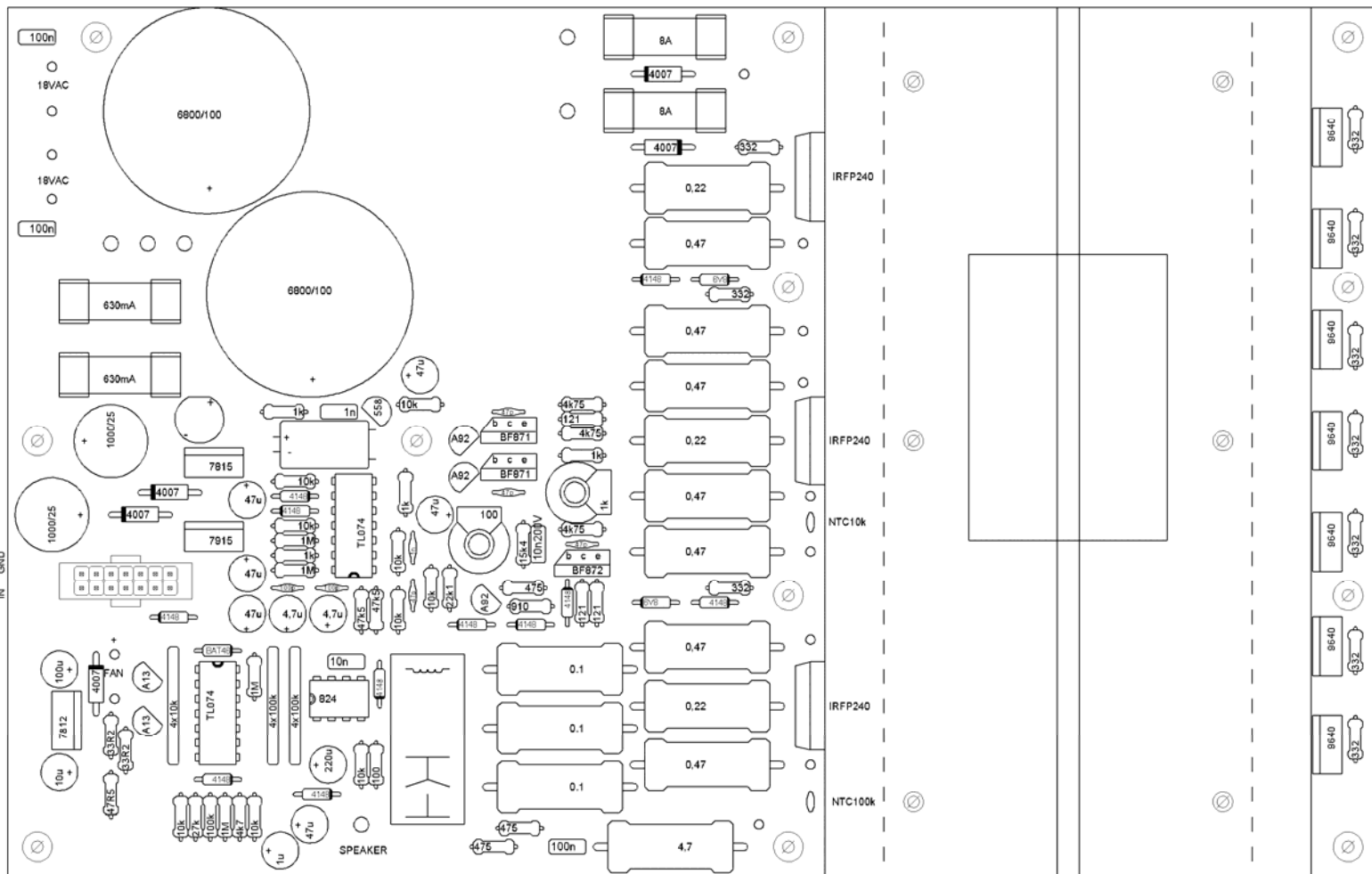


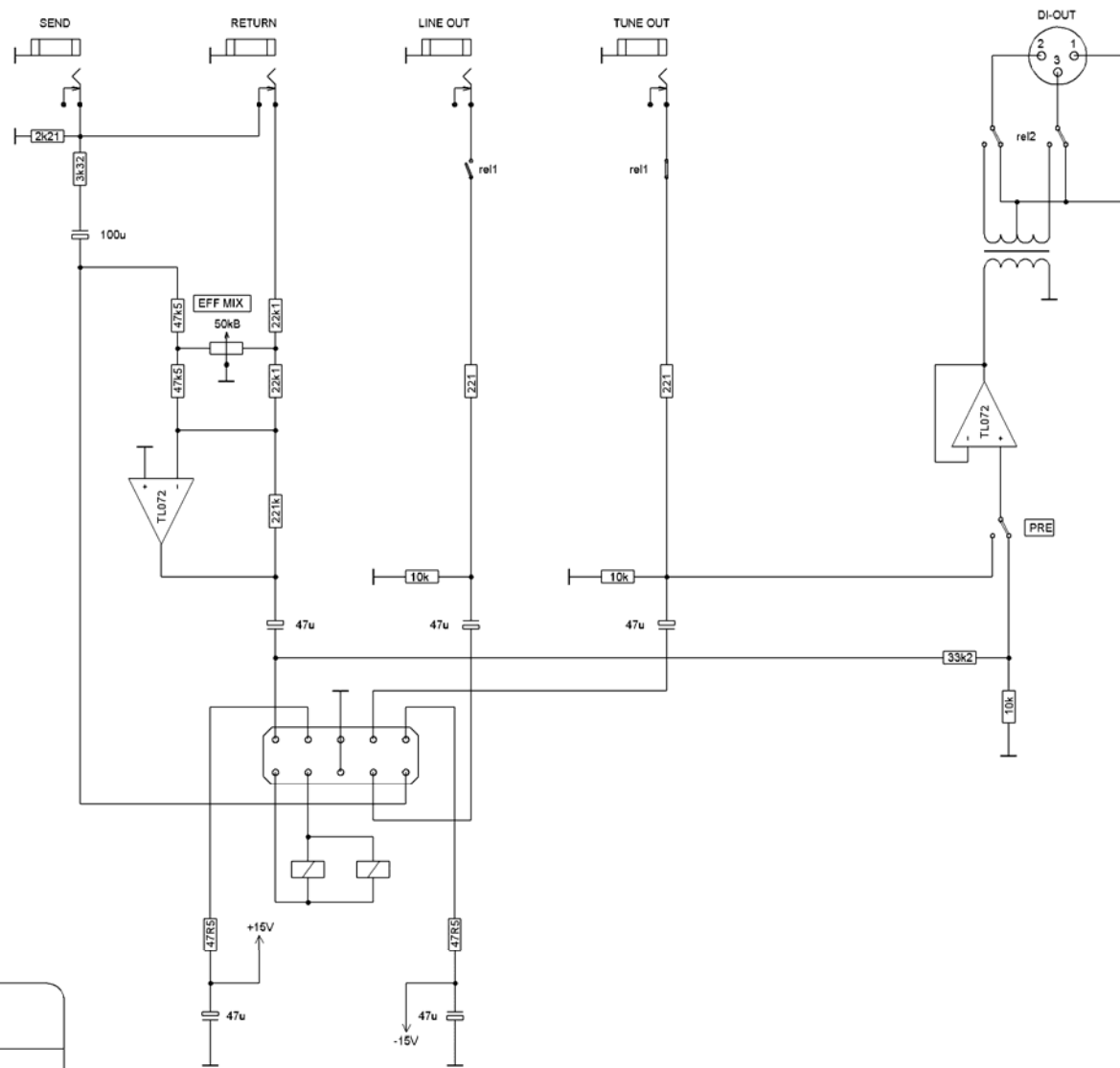
# QUAD4-PA-B1

Draw: 04.07.2003 08:25:34

HDB electronic

GND GND  
 +24 +24  
 PHONES -24  
 REL LED LIM  
 MUTE REL+  
 GND GND  
 IN GND





**QUAD4-BU-S1**  
 Date: 04.07.2003 06:36:45  
 HDB electronic

# QUAD4-BU-B1

Draw: 04.07.2003 06:28:19

HDB electronic

