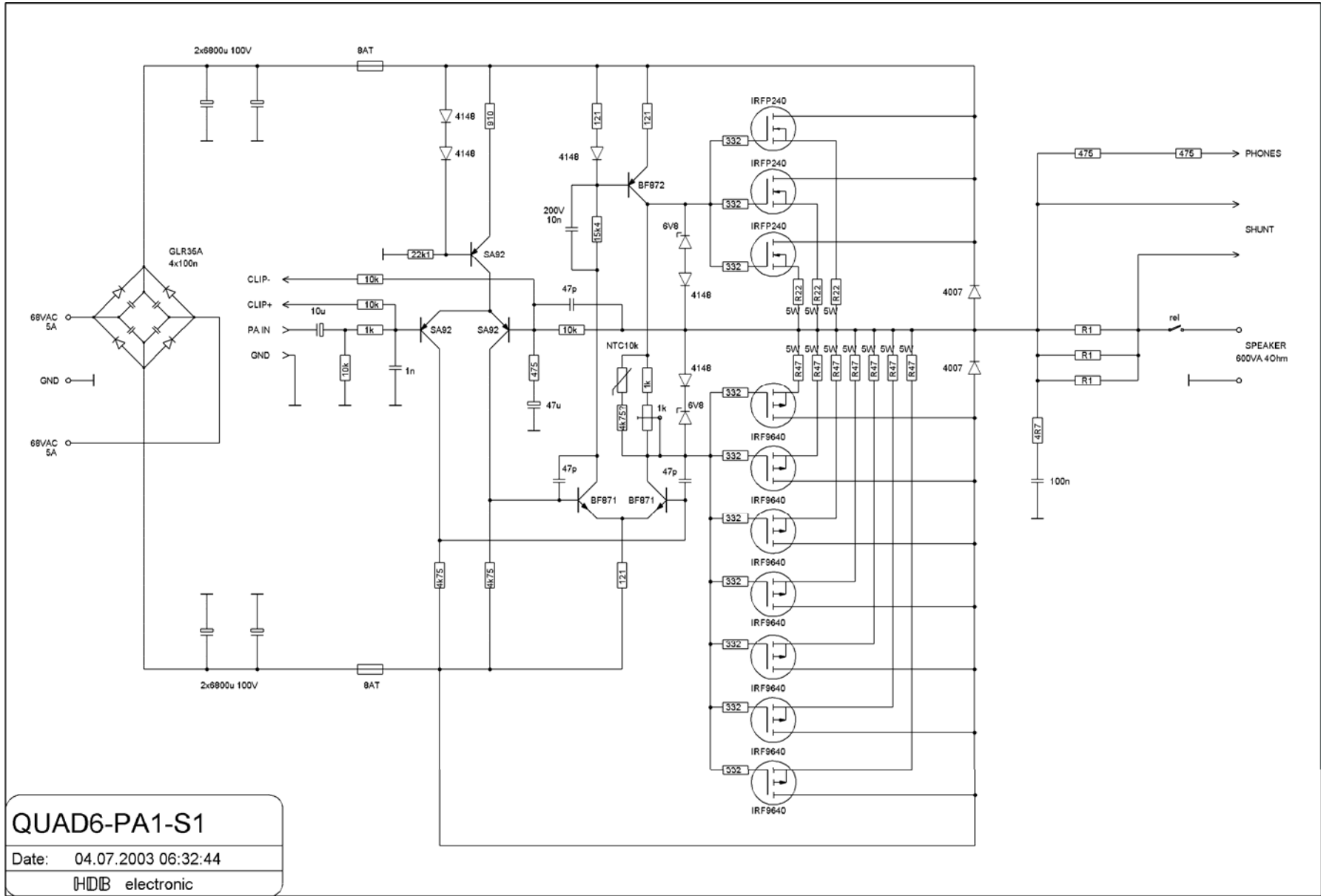
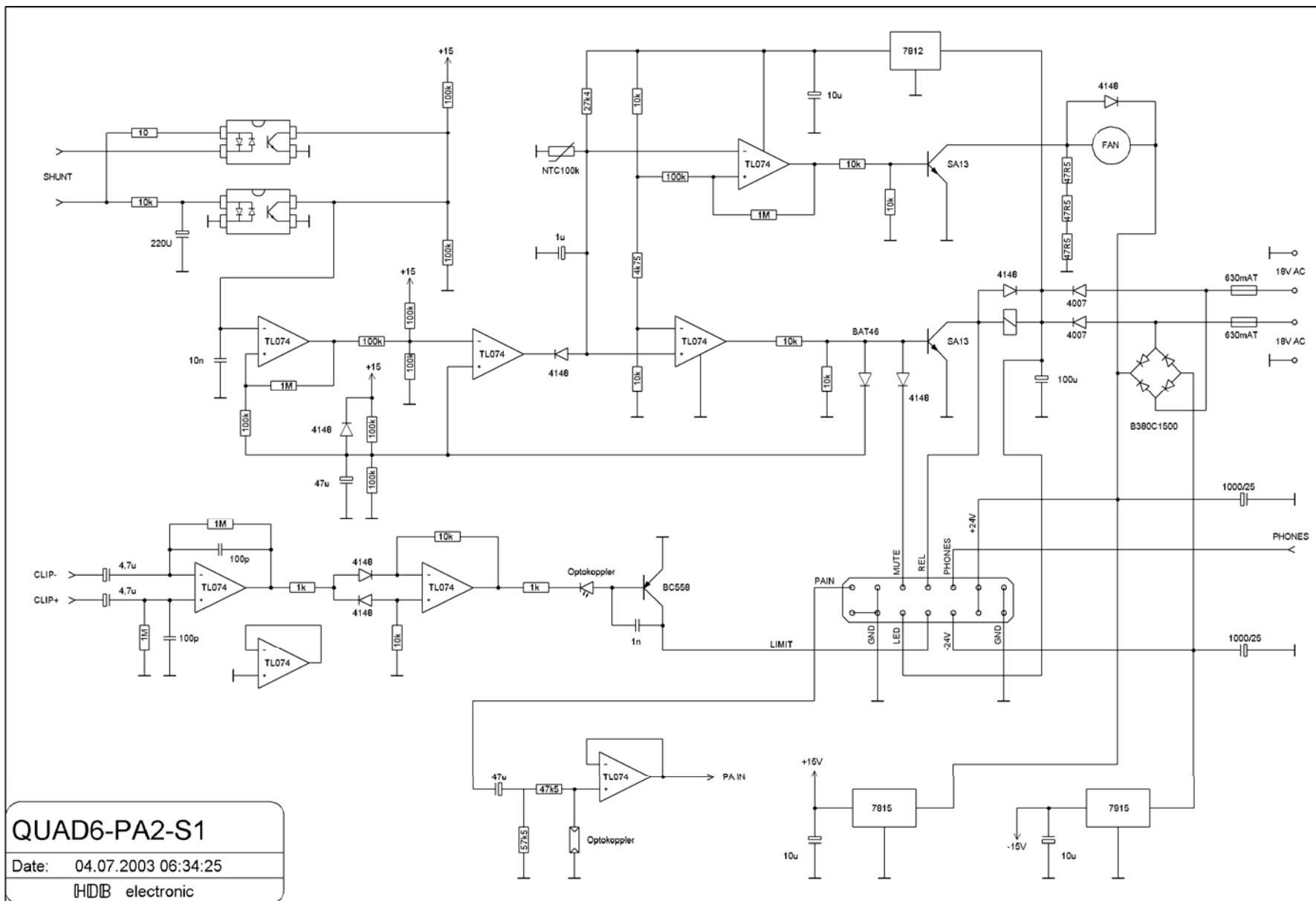


QUAD6-TR-S1

Date: 04.07.2003 06:48:05

HDB electronic





QUAD6-PA2-S1
 Date: 04.07.2003 06:34:25
 HD electronic

QUAD6-BU-B1

Draw: 04.07.2003 06:28:19

HDB electronic

