

SUB300-VV-S

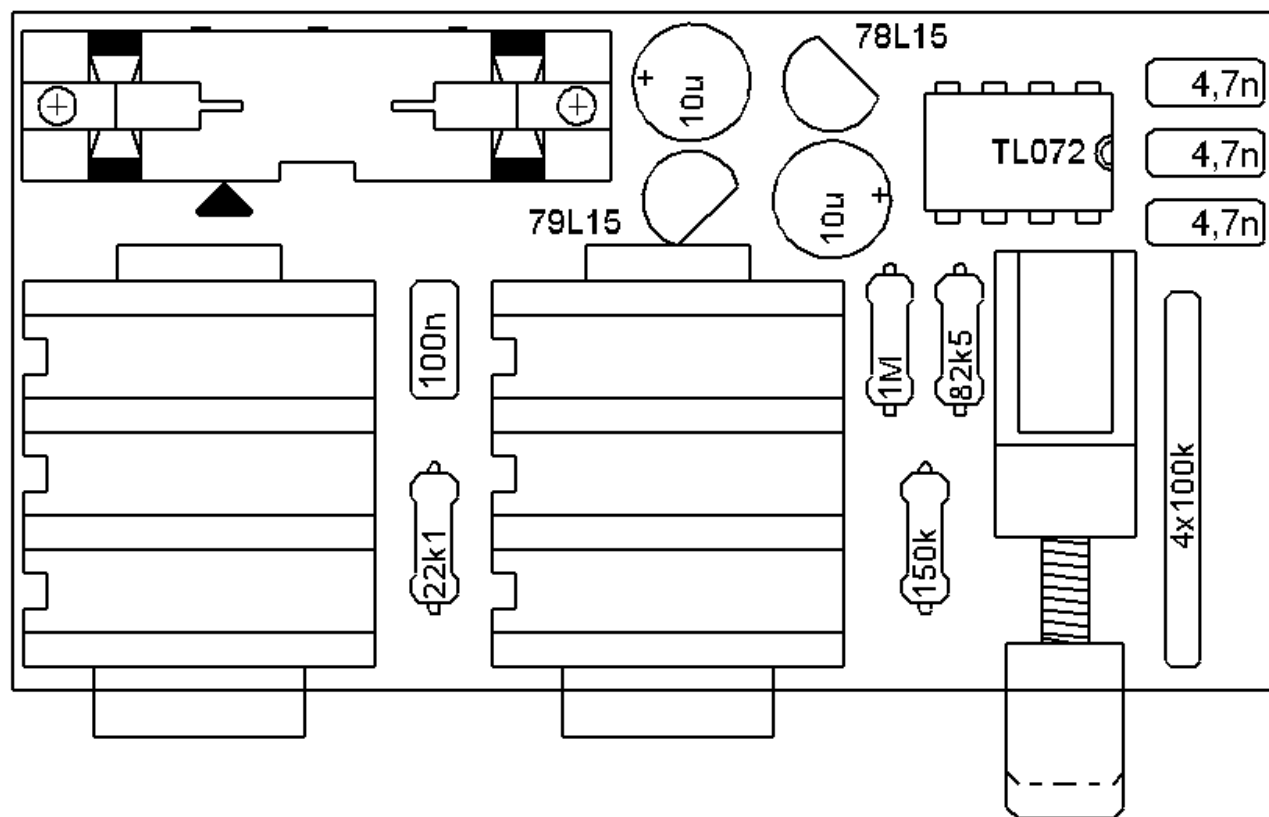
Date: 07.07.2003 11:27:27

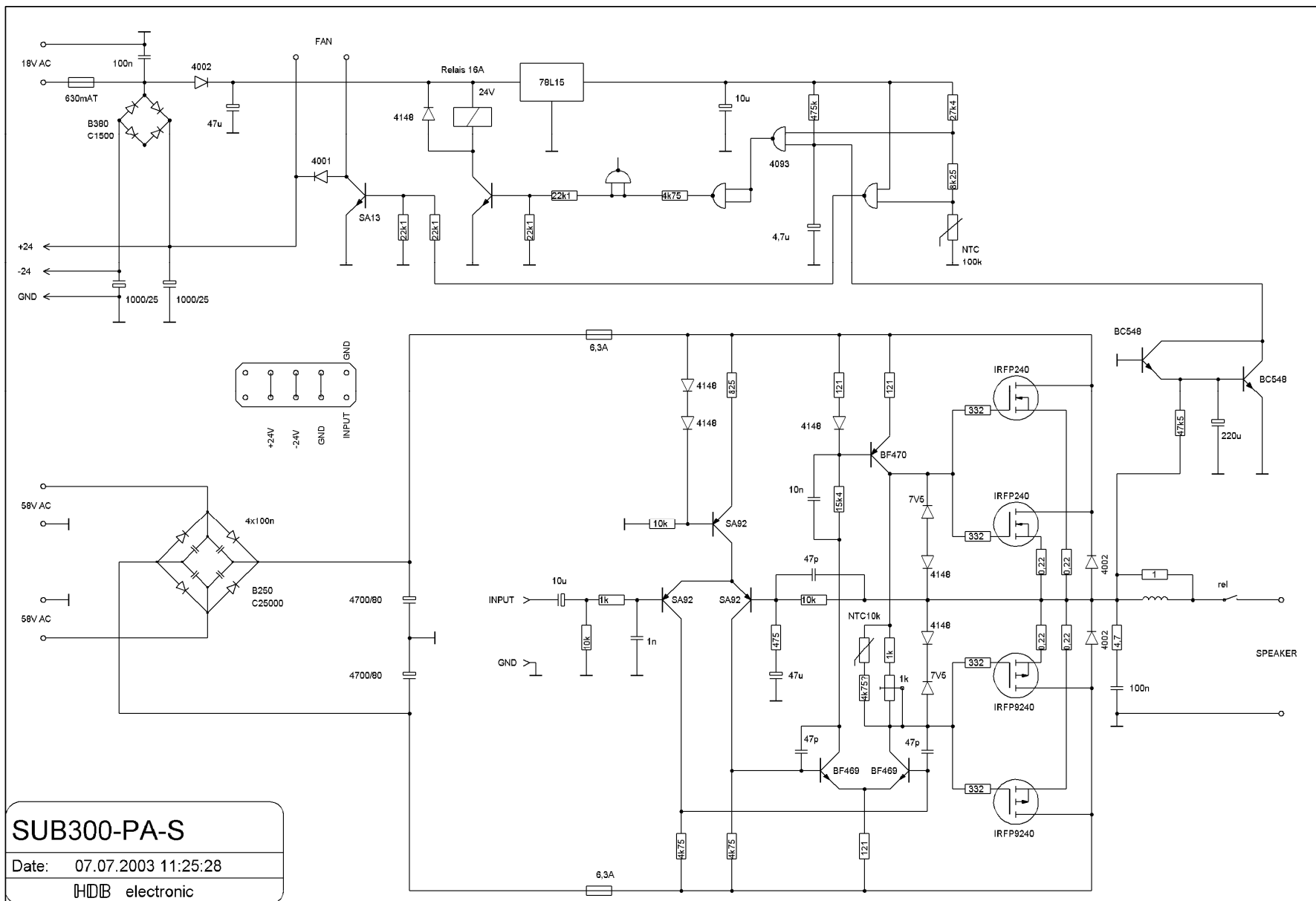
HDB electronic

SUB300-VV-B

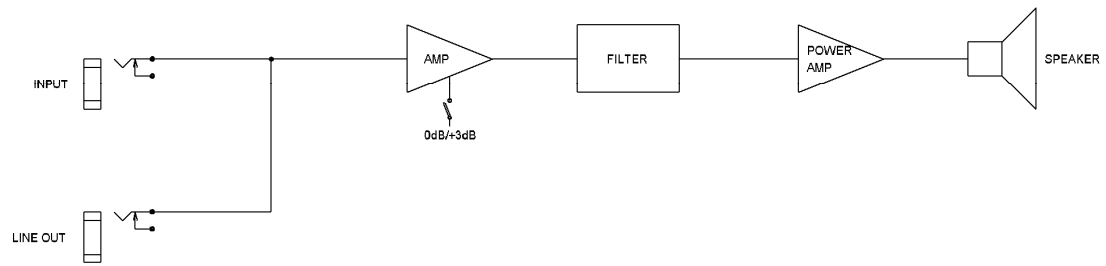
Draw: 07.07.2003 11:24:31

HDB electronic





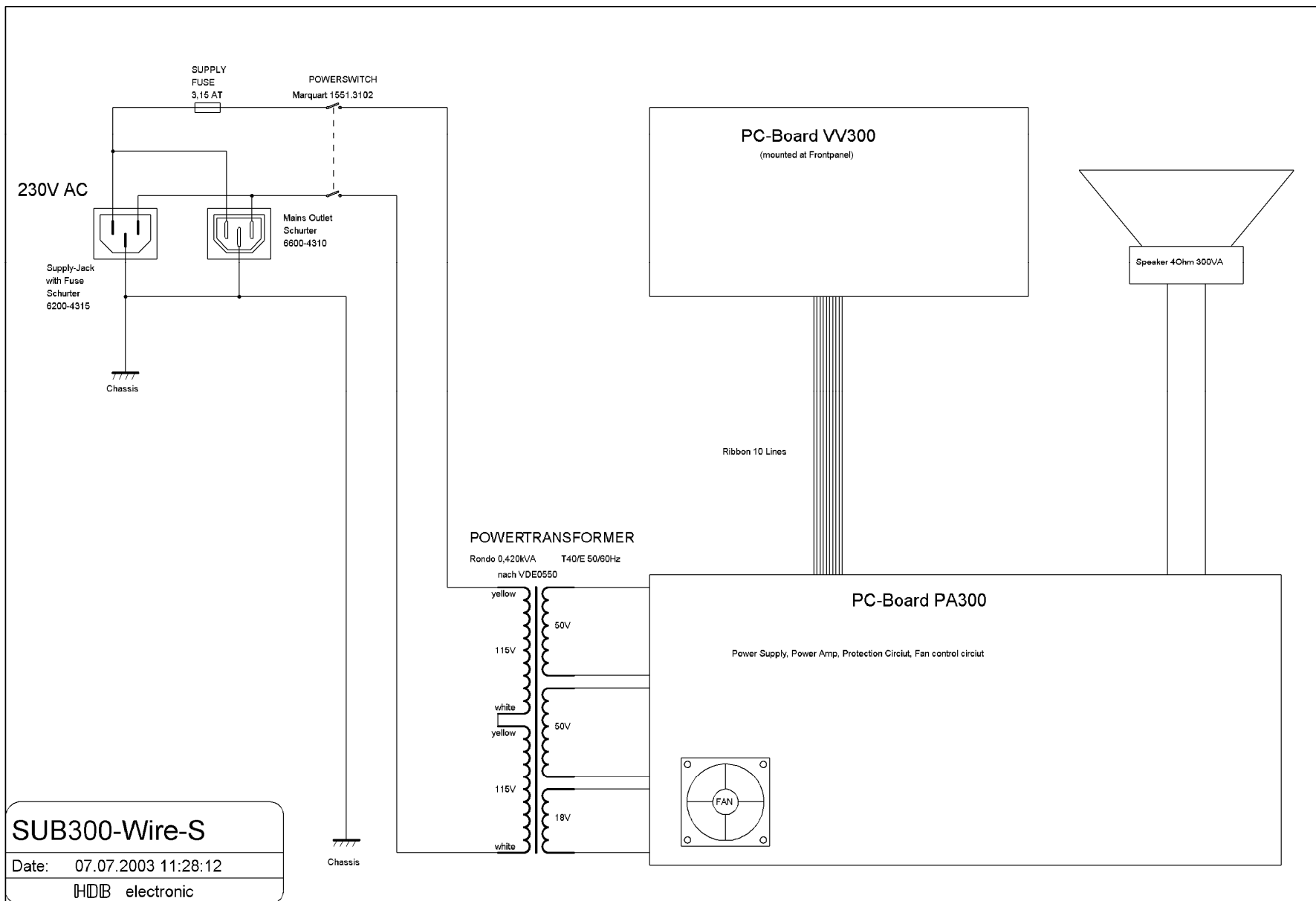
SUB300-PA-S
 Date: 07.07.2003 11:25:28
 HDB electronic



SUB300-Schema

Date: 07.07.2003 11:26:23

HDB electronic



SUB300-Wire-S

Date: 07.07.2003 11:28:12

HDB electronic