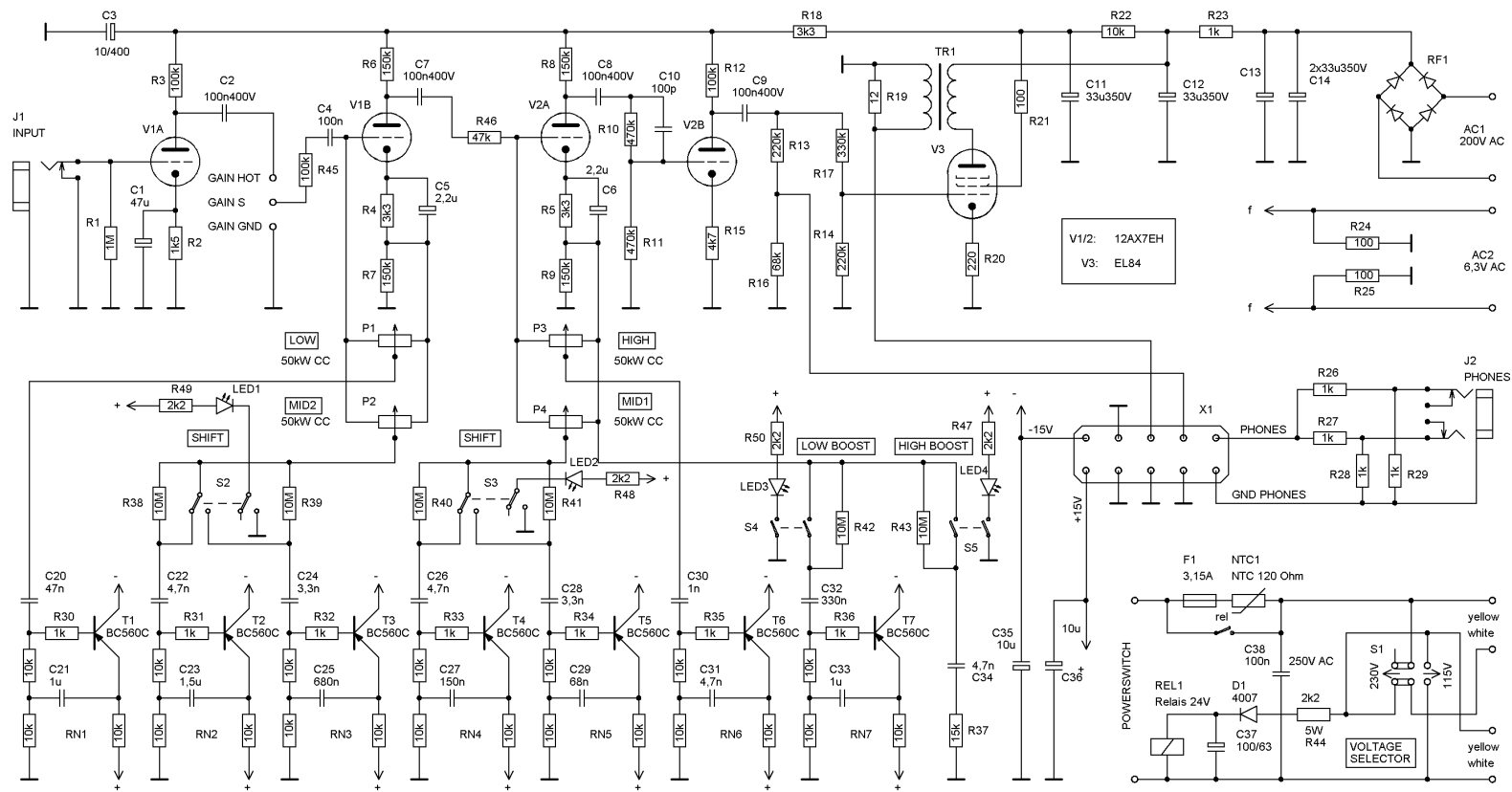


XPA1000

Date: 21.09.2004 09:00:22

HDB electronic

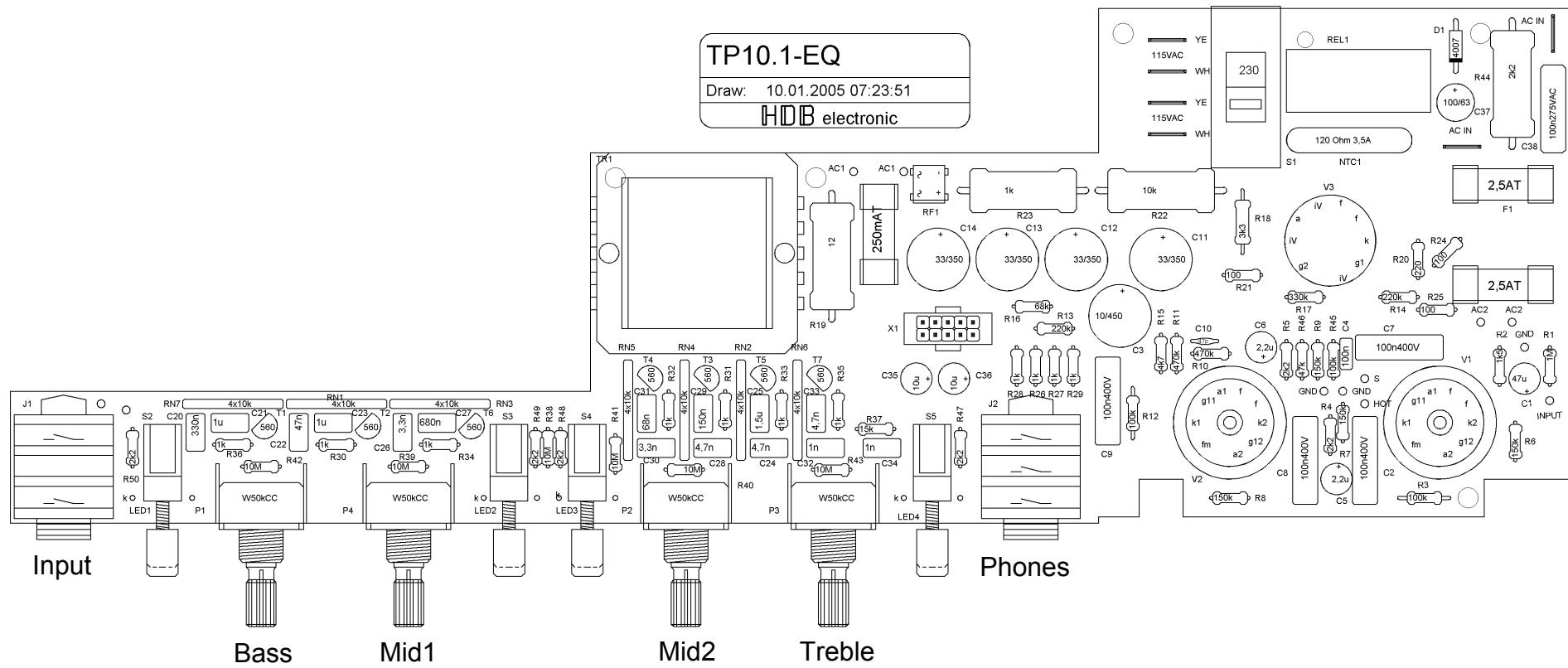


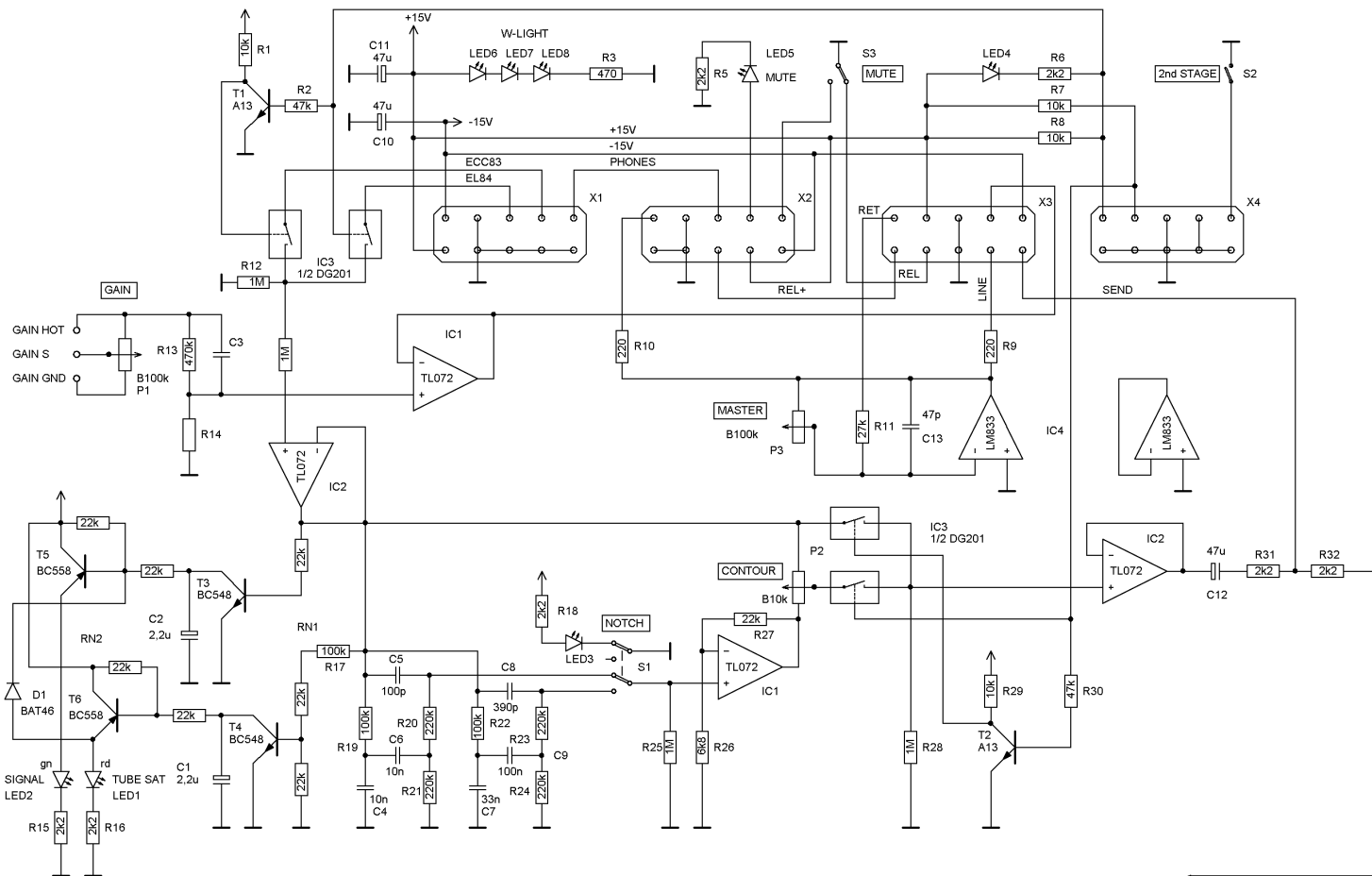
TP10.1-EQ

Date: 14.10.2004 09:18:32

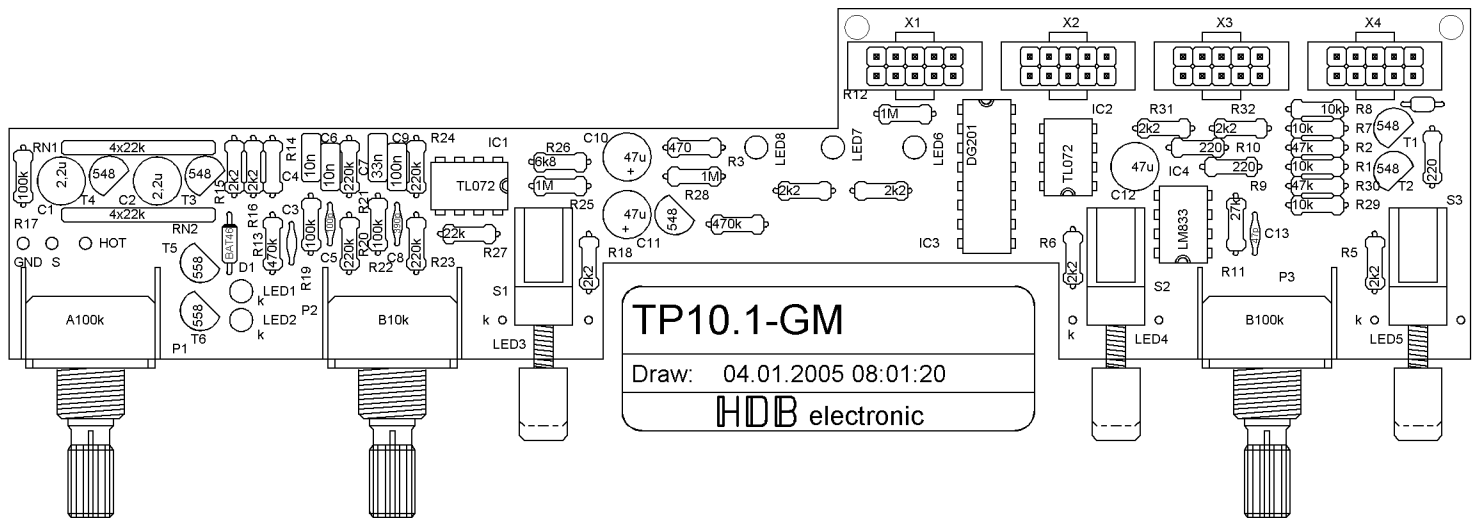
HDB electronic

TP10.1-EQ
 Draw: 10.01.2005 07:23:51
 HDB electronic





TP10.1-GM
 Date: 05.01.2005 13:31:29
 HDB electronic



TP10.1-GM
 Draw: 04.01.2005 08:01:20
HDB electronic

Gain

Contour

Master

