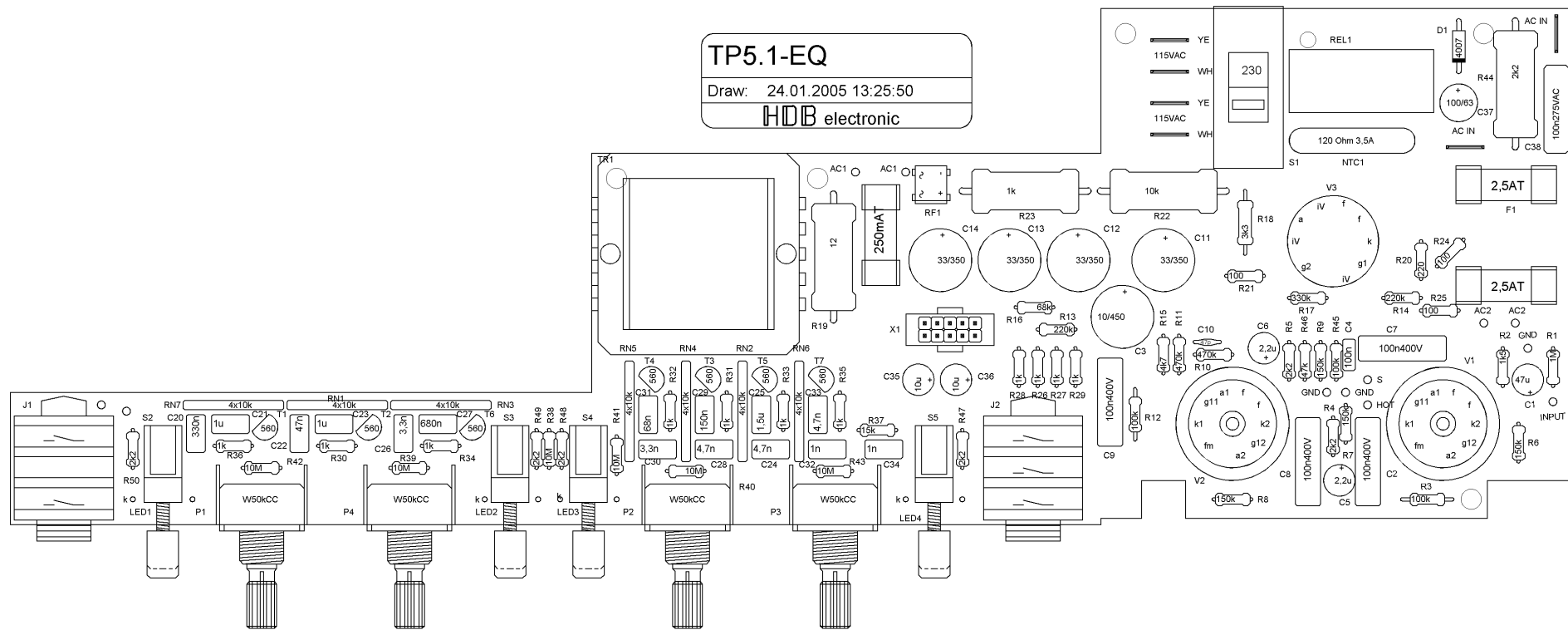


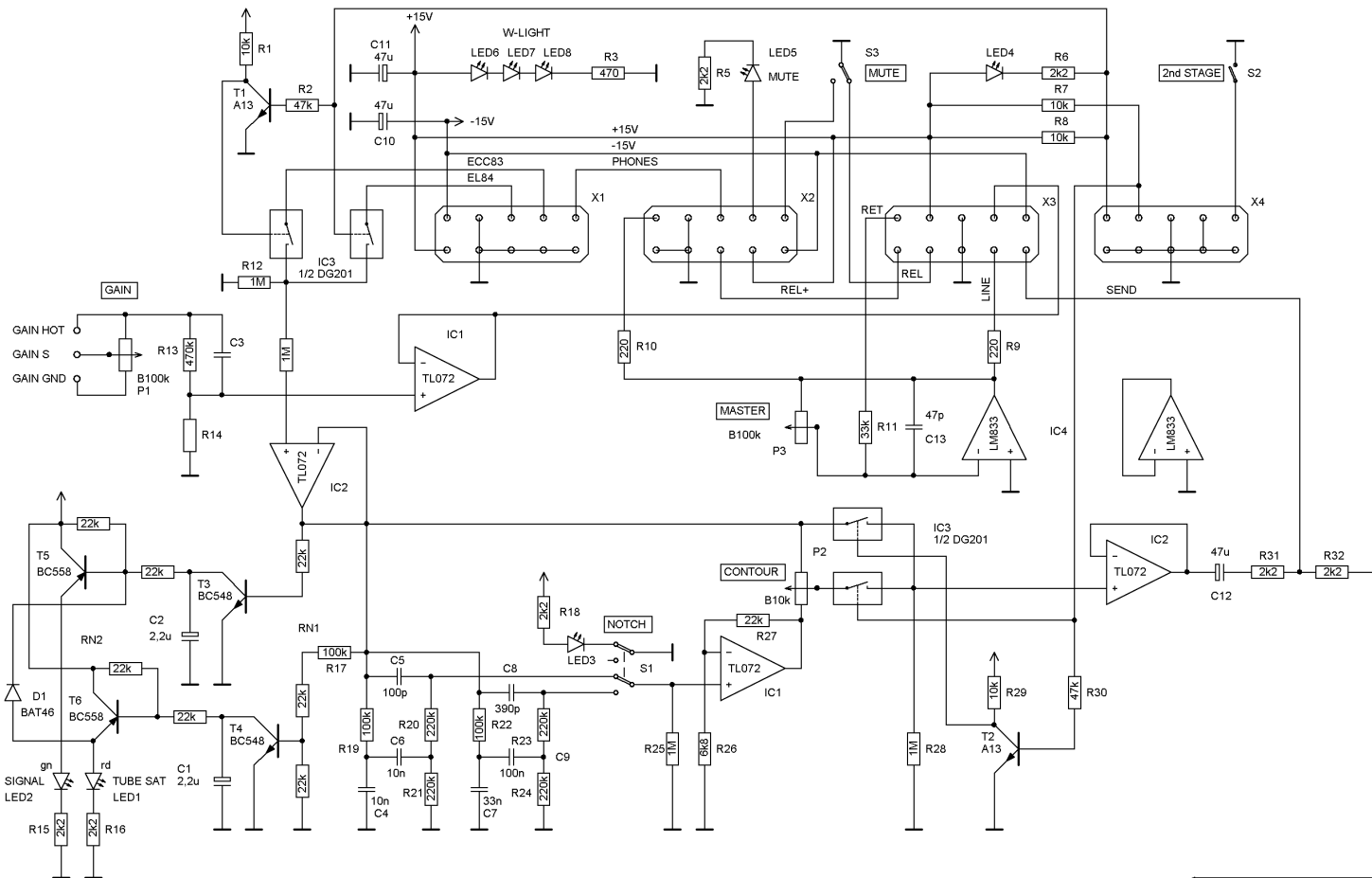
TP5.1-EQ

Date: 14.10.2004 09:18:32

HDB electronic

TP5.1-EQ
Draw: 24.01.2005 13:25:50
HDB electronic

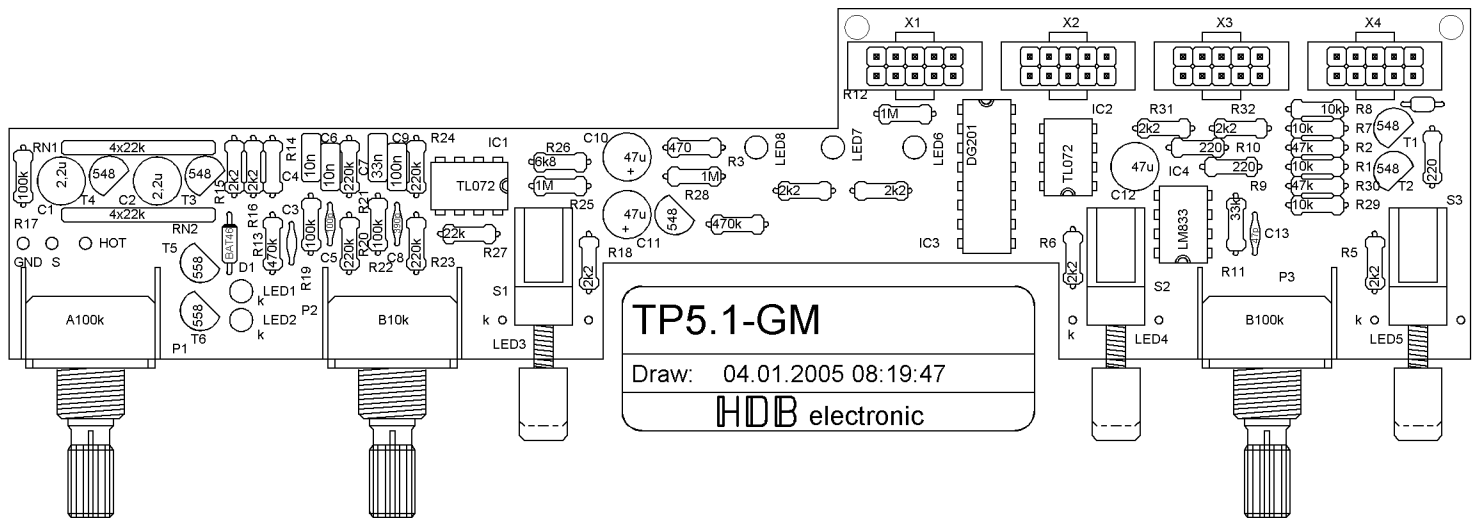




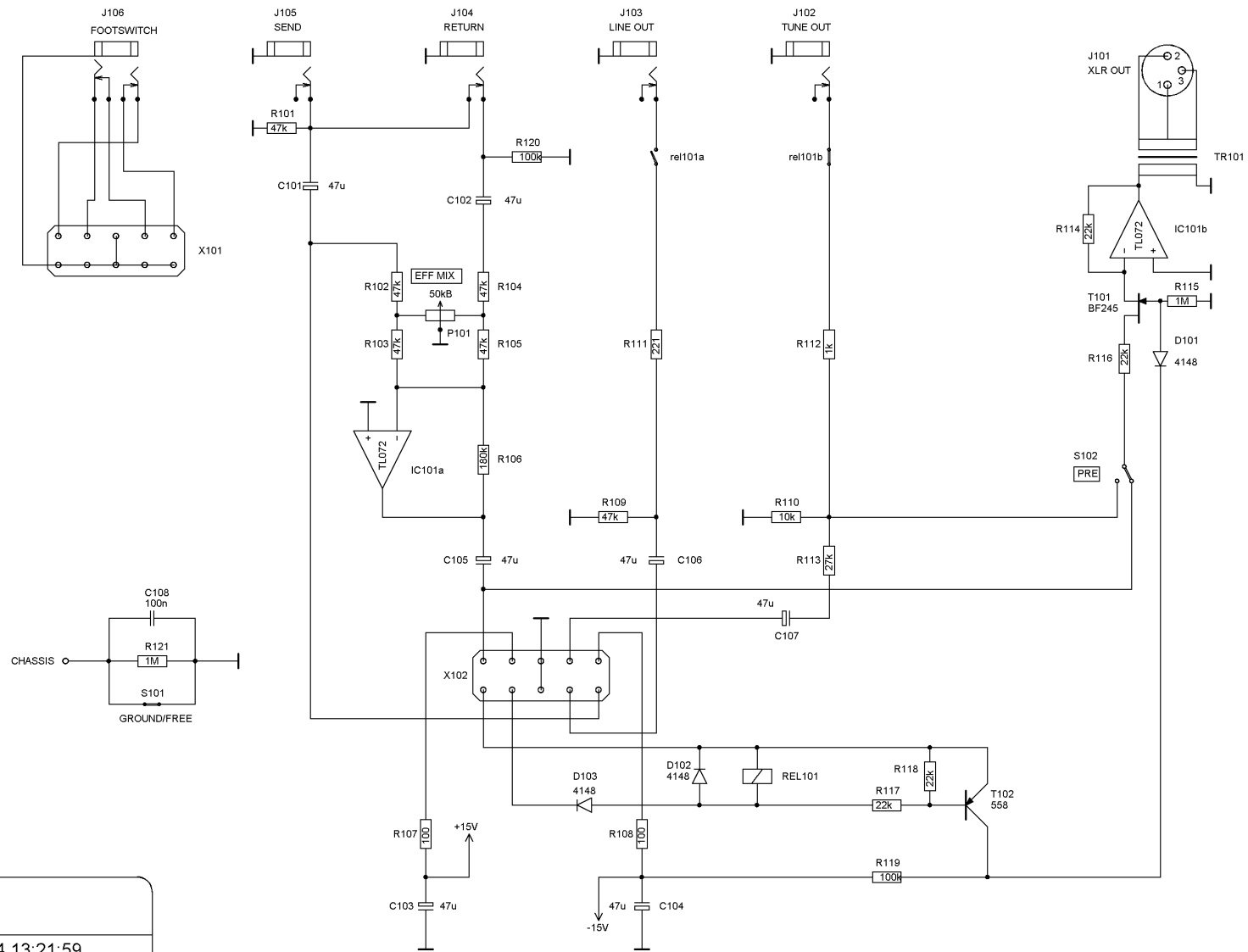
TP5.1-GM

Date: 05.01.2005 13:32:01

HDB electronic



TP5.1-GM
Draw: 04.01.2005 08:19:47
HDB electronic

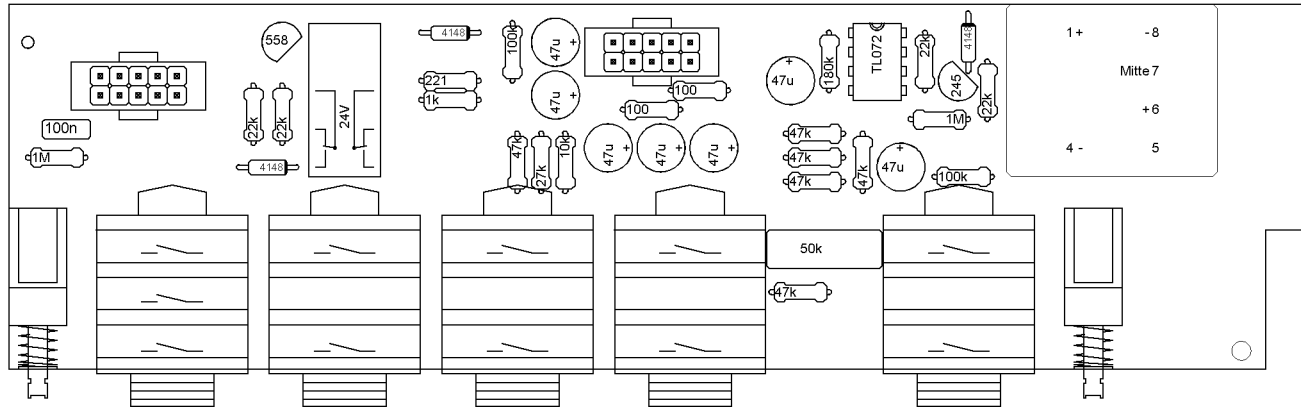


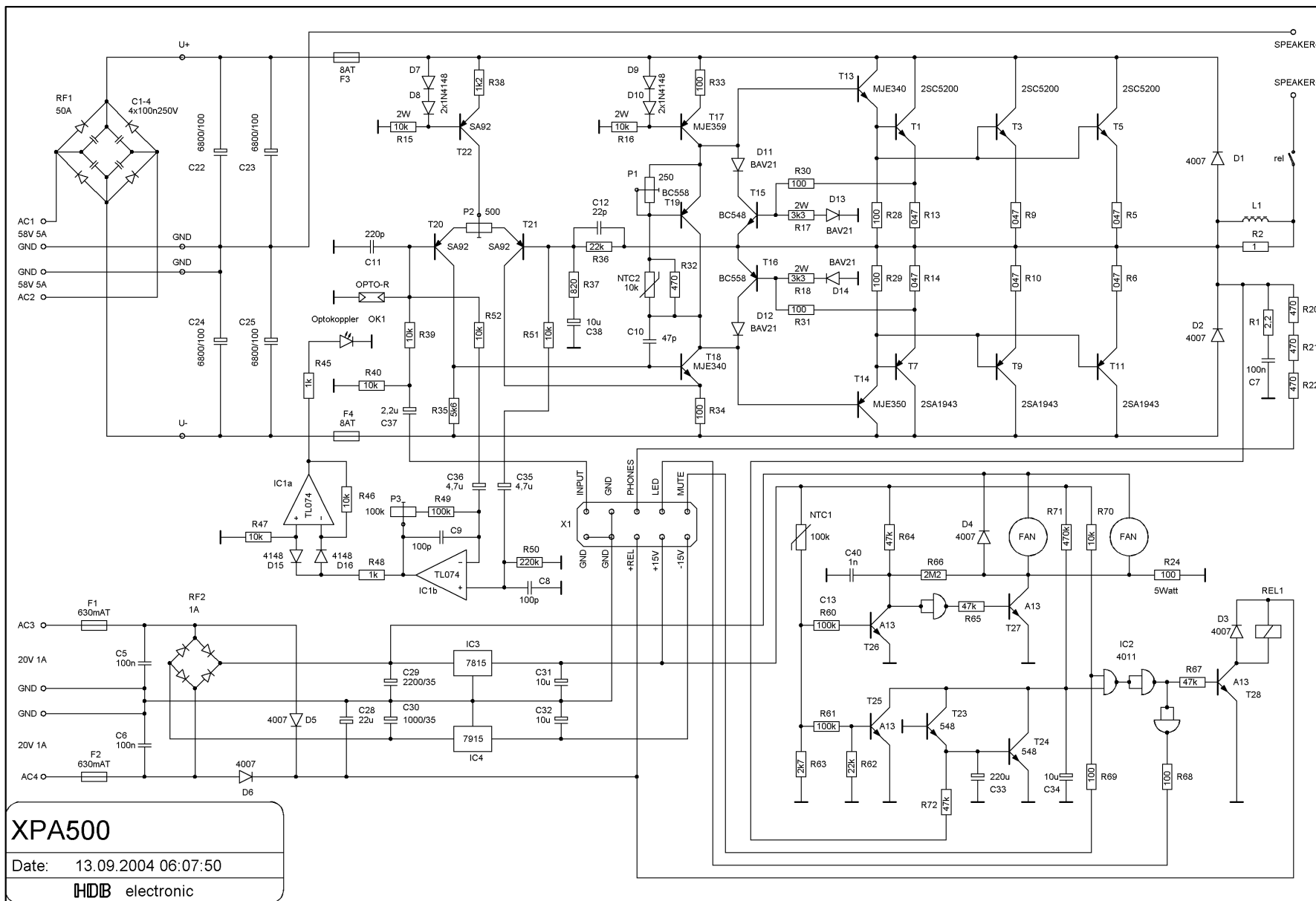
TP5.1-BU
 Date: 13.01.2004 13:21:59
 HDB electronic

TP5.1-BU

Draw: 27.12.2004 13:33:41

HDB electronic

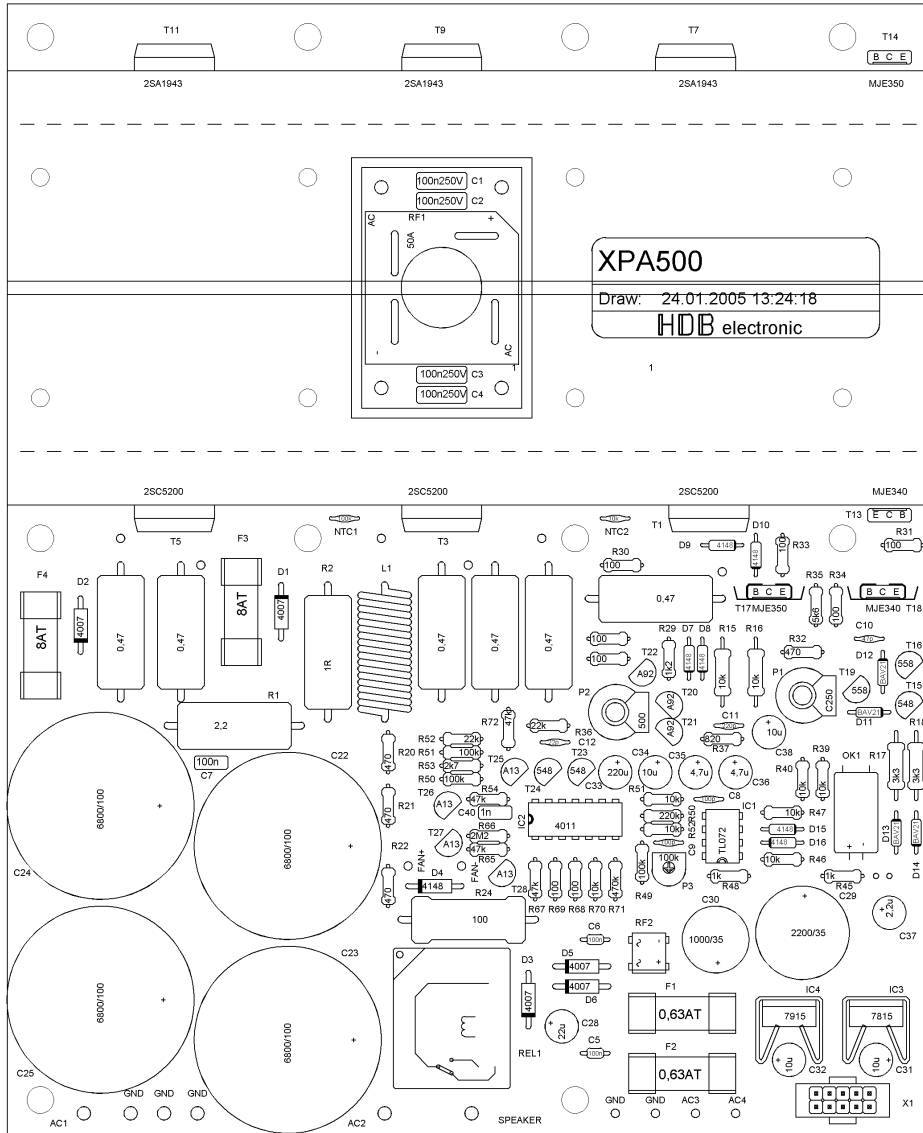




XPA500

Date: 13.09.2004 06:07:50

HDB electronic



-15V
 +15V
 MUTE
 LED
 REM
 GND
 GND
 GND
 IN