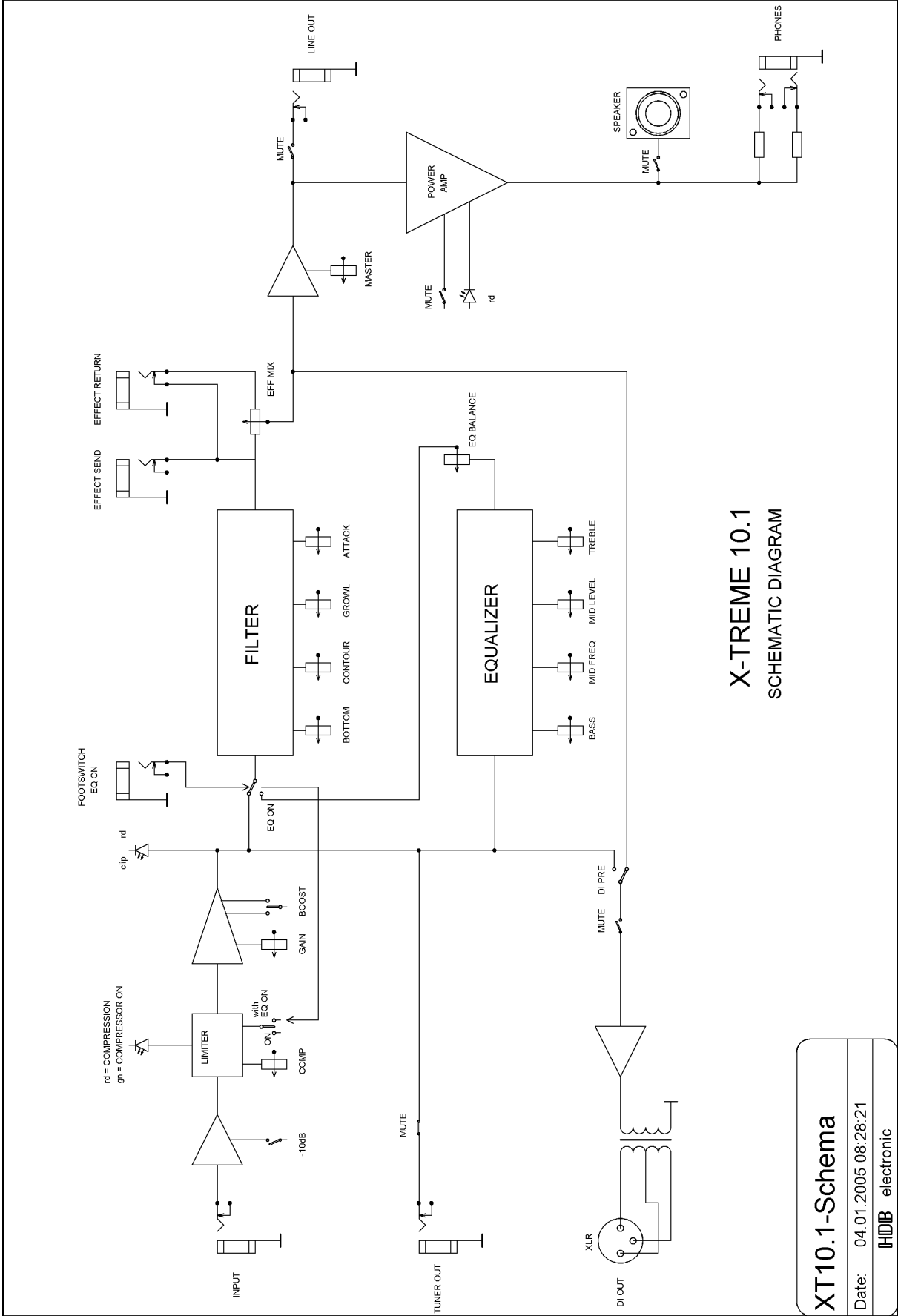


**Xtreme**

ab Ser. Nr.: H17379

**Xtreme10.1**

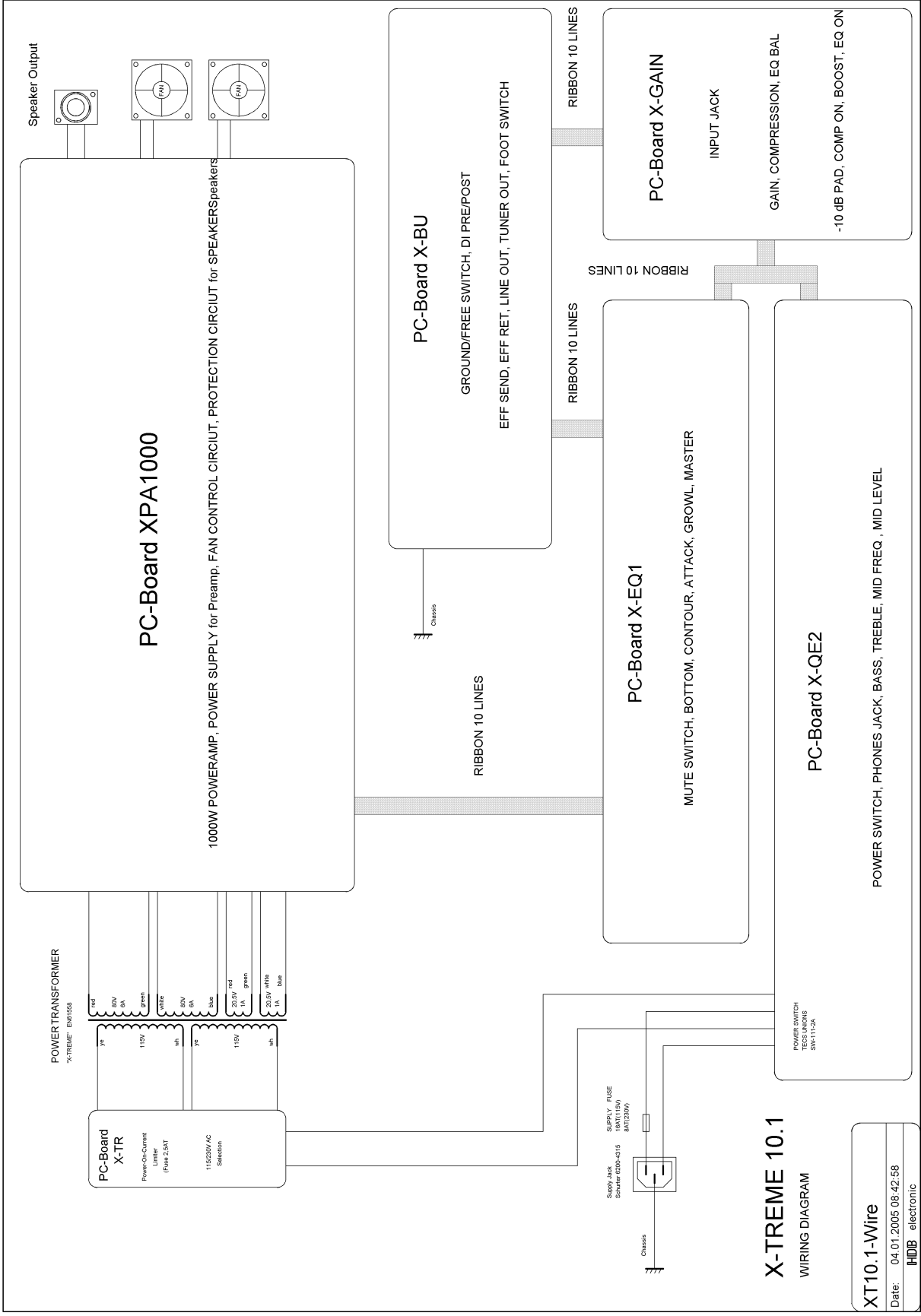
ab Ser. Nr.: H



# X-TREME 10.1

## SCHEMATIC DIAGRAM

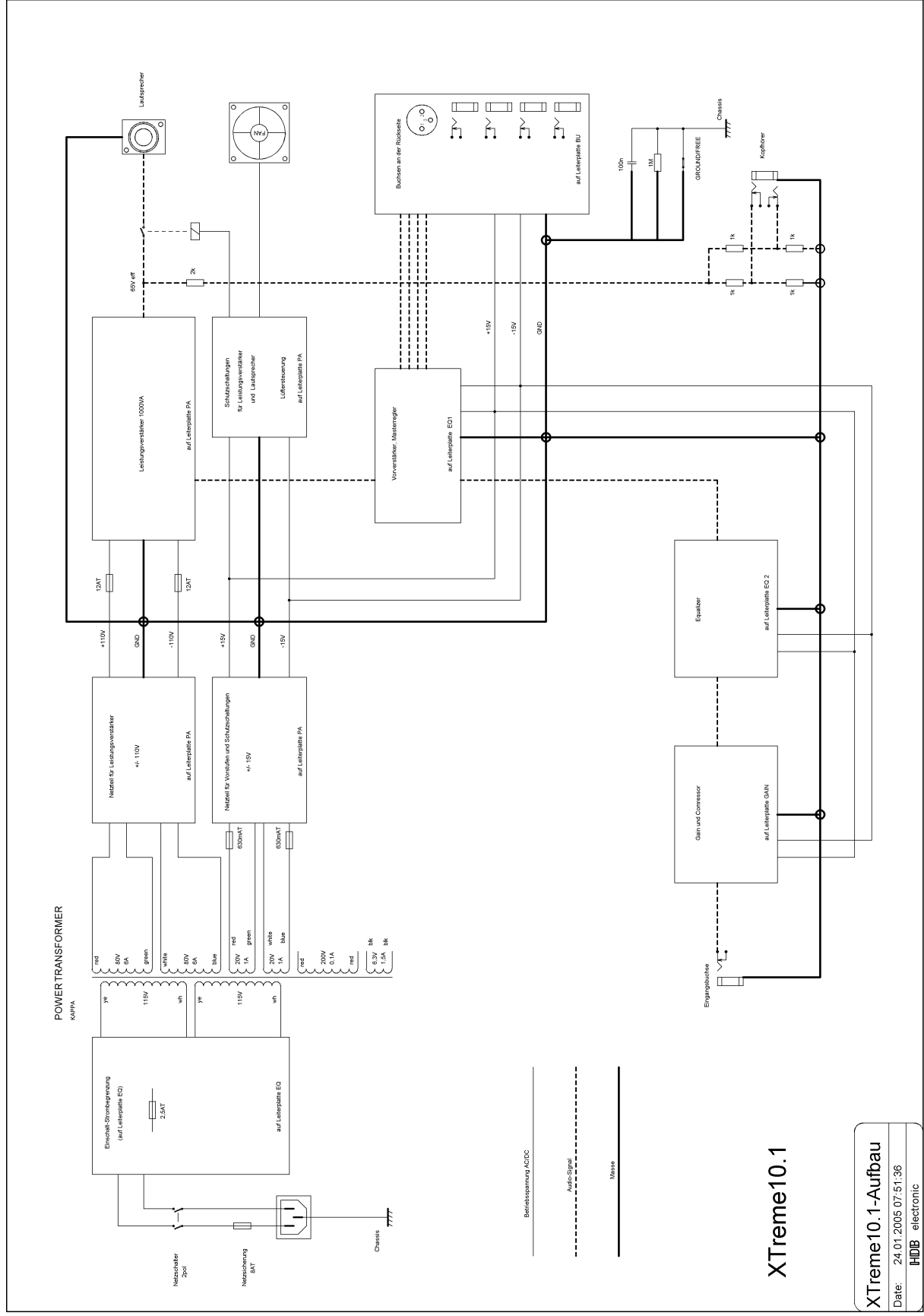
<b>XT10.1-Schema</b>
Date: 04.01.2005 08:28:21
<b>HDOB</b> electronic



**X-TREME 10.1**

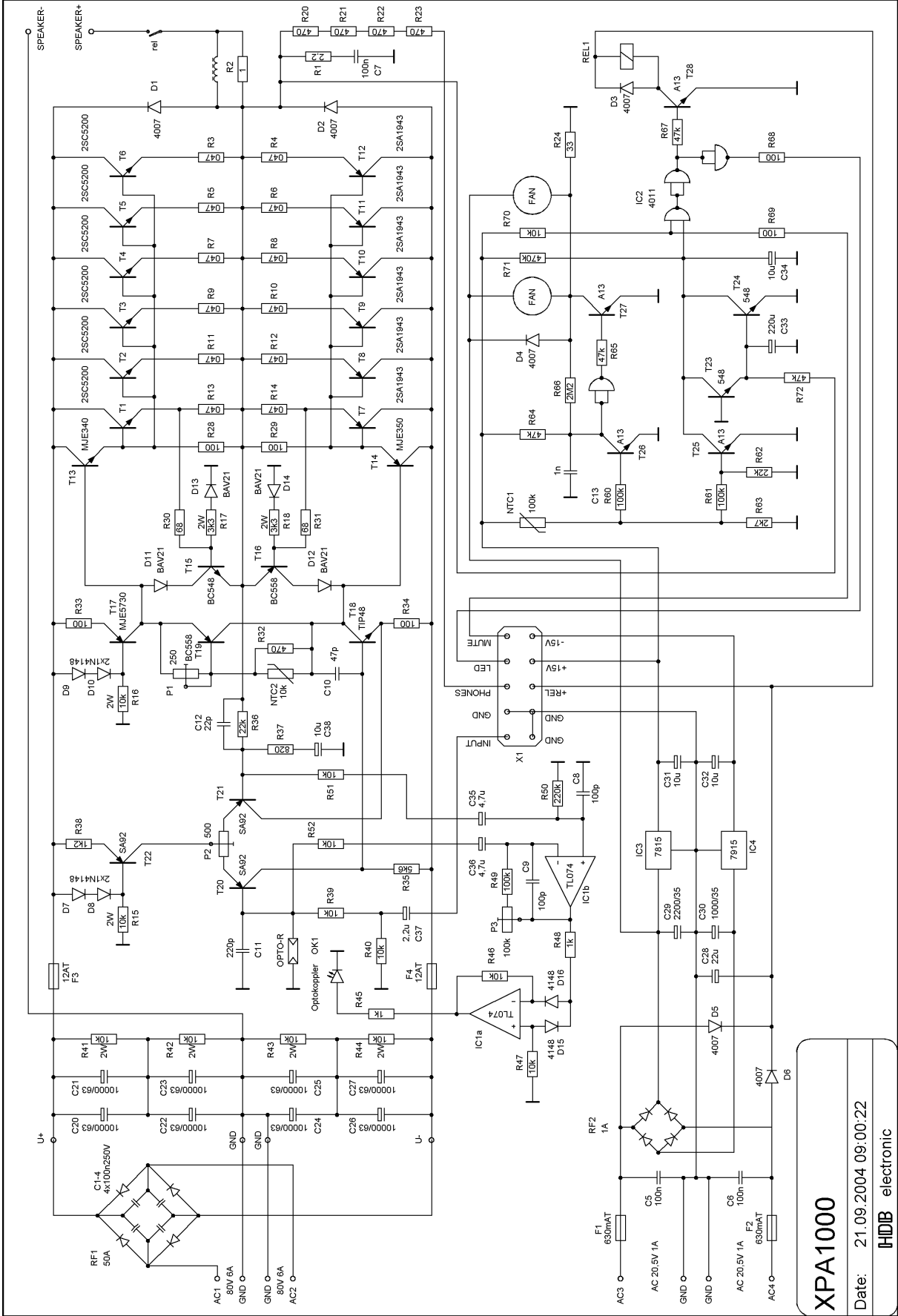
**WIRING DIAGRAM**

**XT10.1-Wire**  
 Date: 04.01.2005 08:42:58  
 HDIB\_electronic



# XTreme 10.1

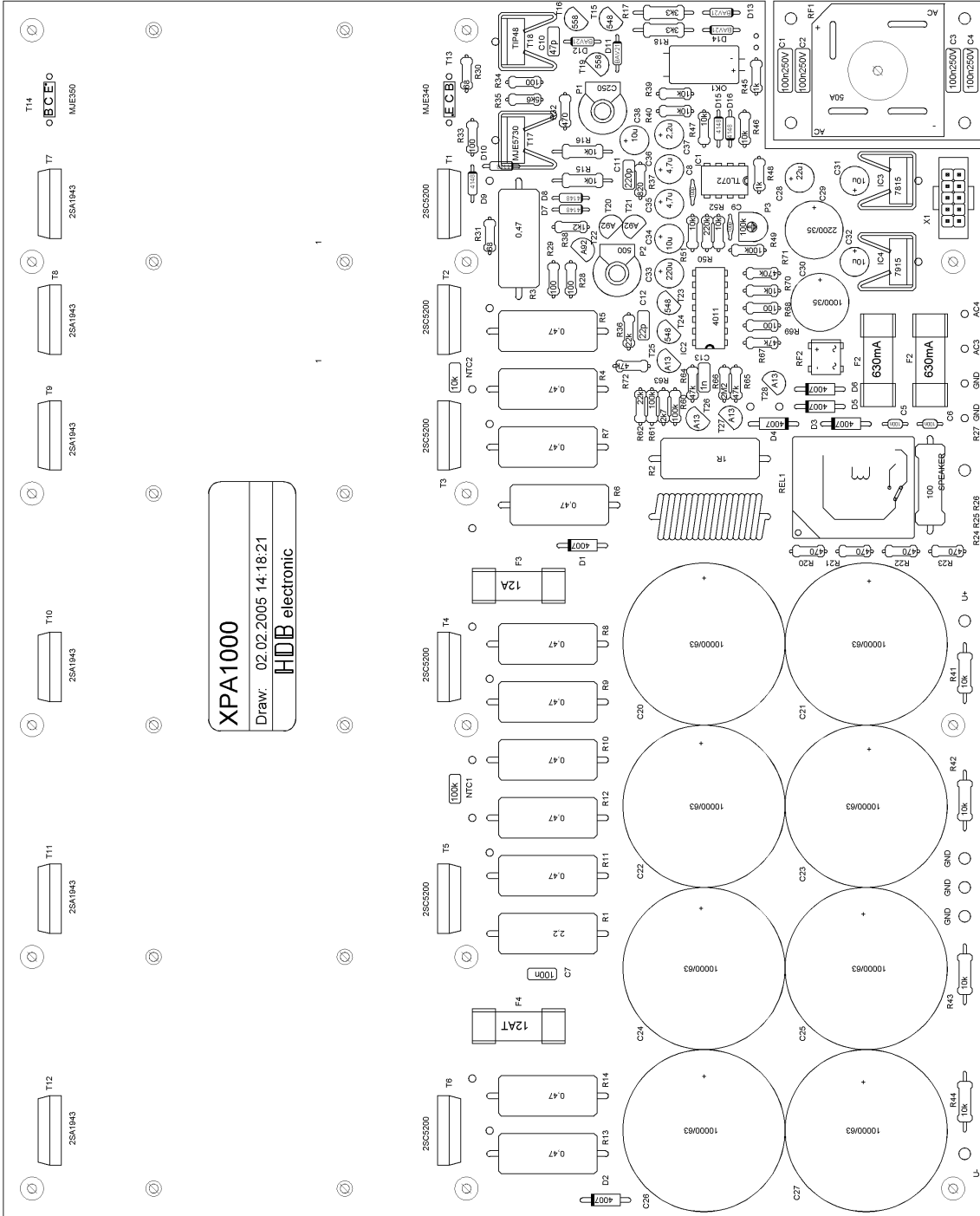
**XTreme 10.1 - Aufbau**  
 Date: 24.01.2005 07:51:36  
 HDDB electronic



**XPA1000**

Date: 21.09.2004 09:00:22

HDB electronic



**XPA1000**  
 Draw: 02.02.2005 14:18:21  
**HDB electronic**

MFR  
 +15V  
 REL  
 PHONES  
 GND

AC3  
 GND  
 AC4

R27  
 GND  
 R26

R43  
 10k  
 R44  
 10k

R42  
 10k

GND  
 GND  
 GND

R43  
 10k  
 R44  
 10k

R43  
 10k  
 R44  
 10k

R43  
 10k  
 R44  
 10k

MFR  
 +15V  
 REL  
 PHONES  
 GND

AC3  
 GND  
 AC4

R27  
 GND  
 R26

R43  
 10k  
 R44  
 10k

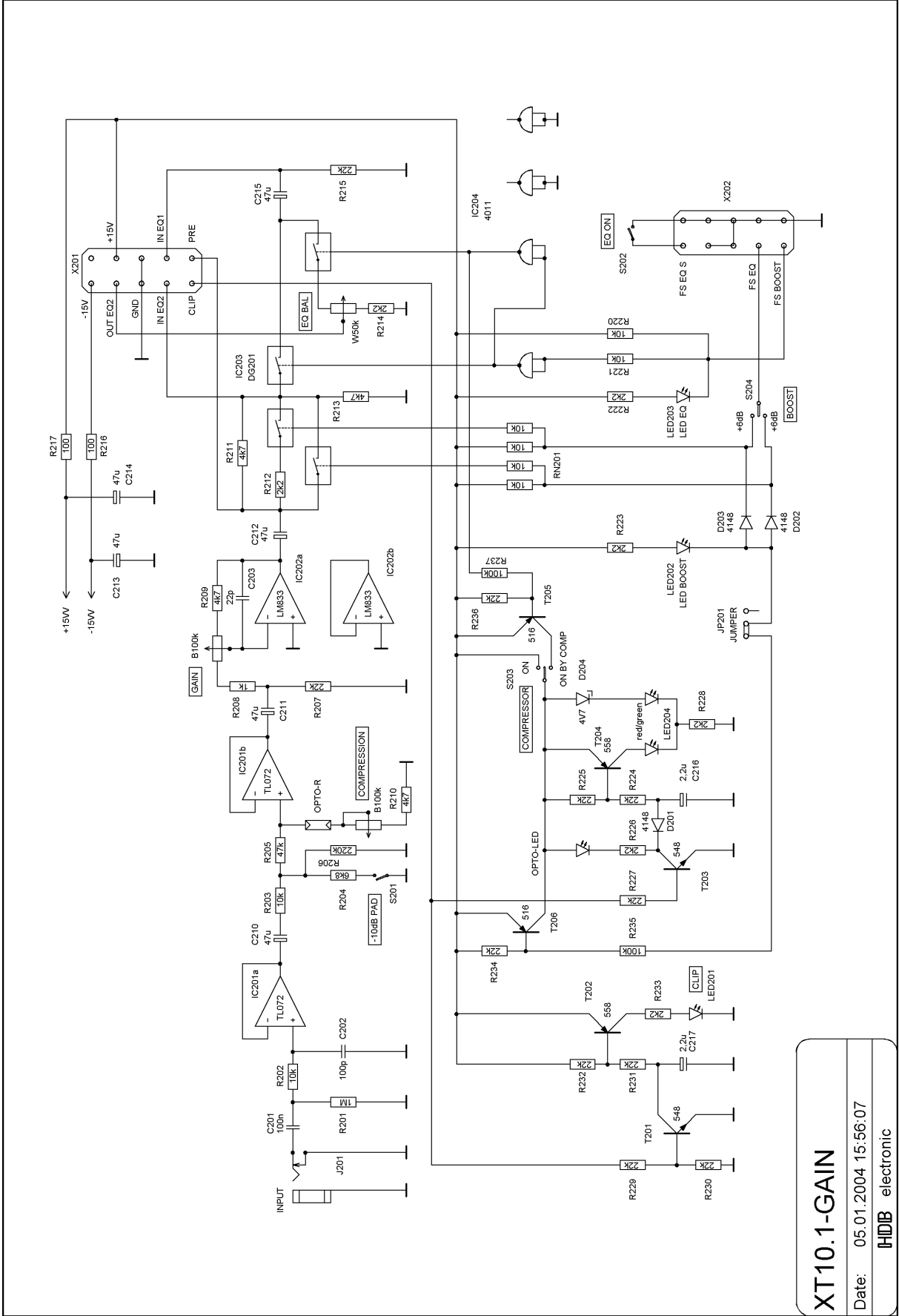
R42  
 10k

GND  
 GND  
 GND

R43  
 10k  
 R44  
 10k

R43  
 10k  
 R44  
 10k

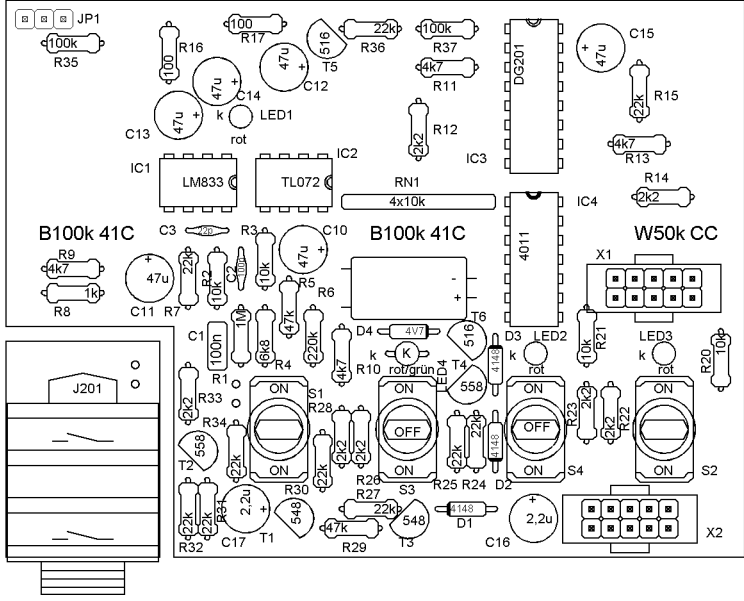
R43  
 10k  
 R44  
 10k



**XT10.1-GAIN**

Date: 05.01.2004 15:56:07

HDB electronic

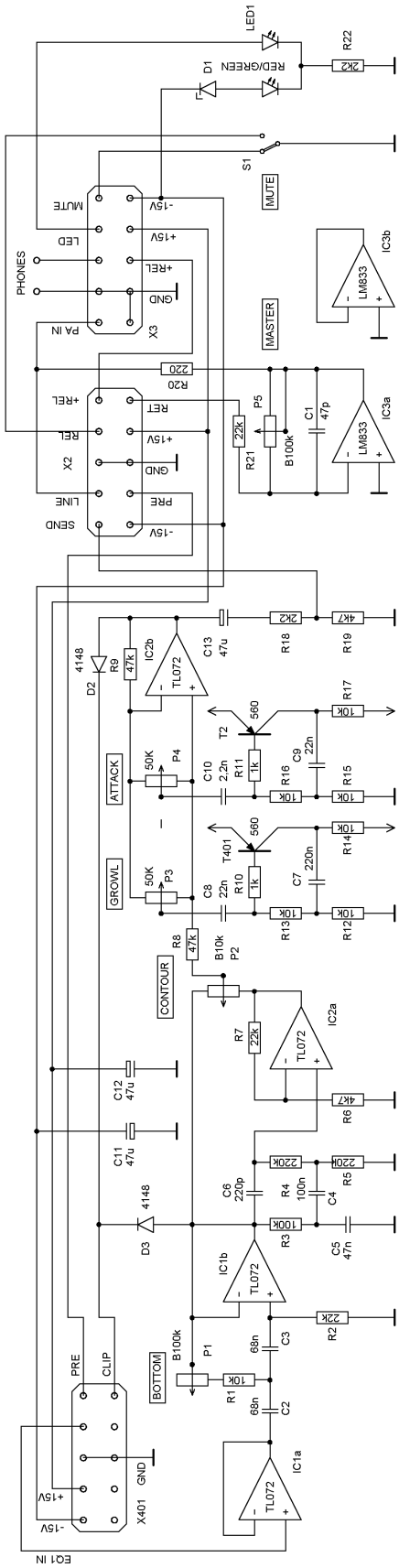


# XT10.1-GAIN

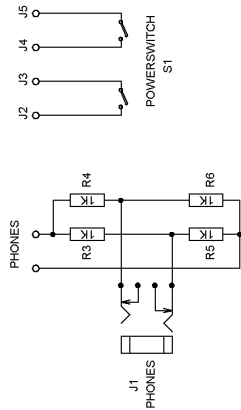
Draw: 02.02.2005 14:25:00

HDB electronic

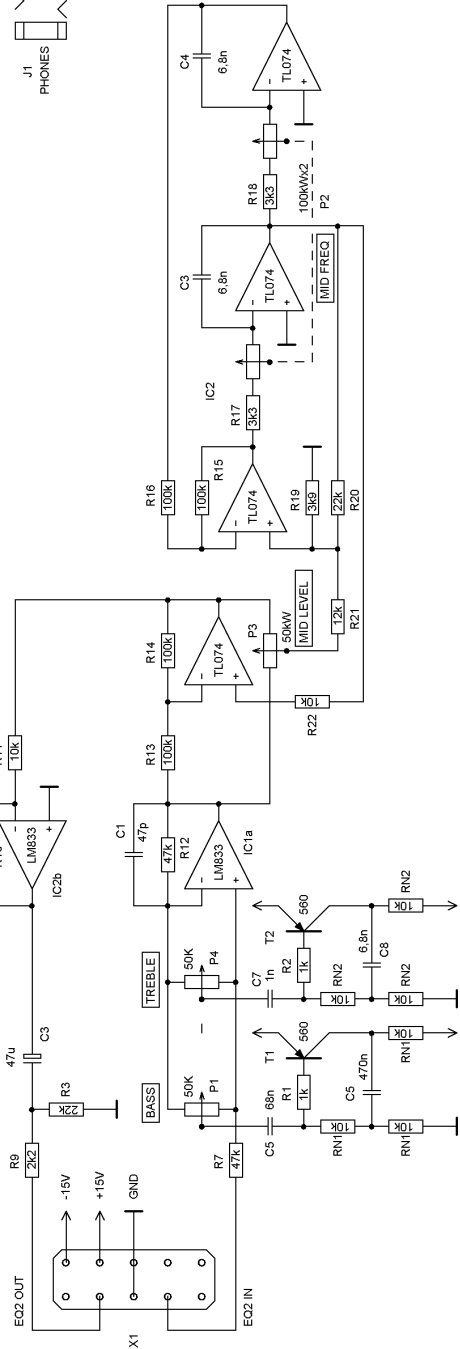




Board EQ1



Board EQ2



XT10.1-EQ

Date: 16.02.2004 08:35:25

HDB electronic

**XT10.1-EQ1**

---

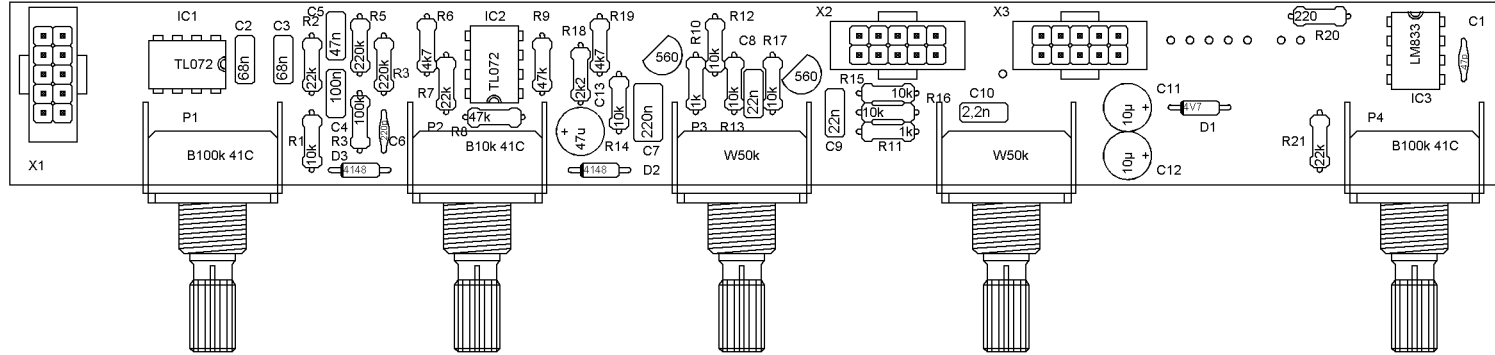
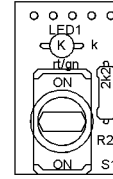
Draw: 02.02.2005 14:24:12

---

**HDB electronic**

-15V  
 OUTU +15V  
 GND GND  
 INU INO  
 CLIP PRE

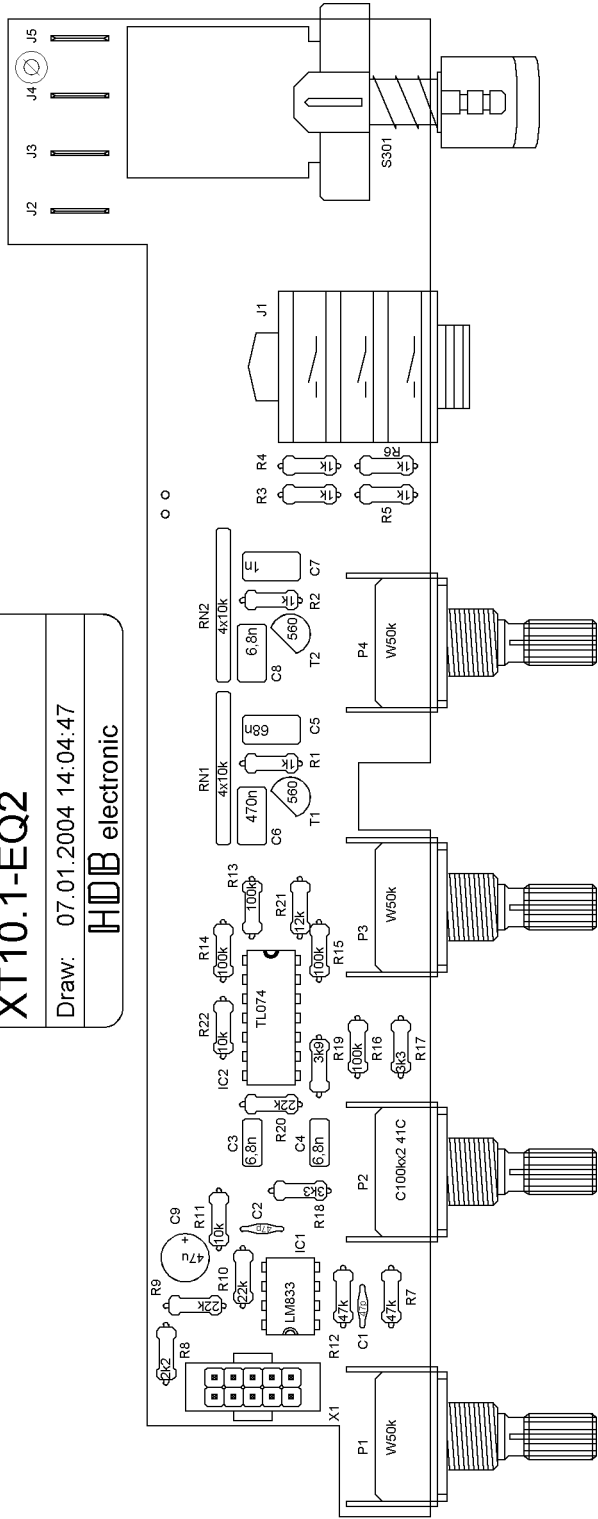
SEND LINE OUT  
 PRE GND  
 -15V REL  
 +15V REL+

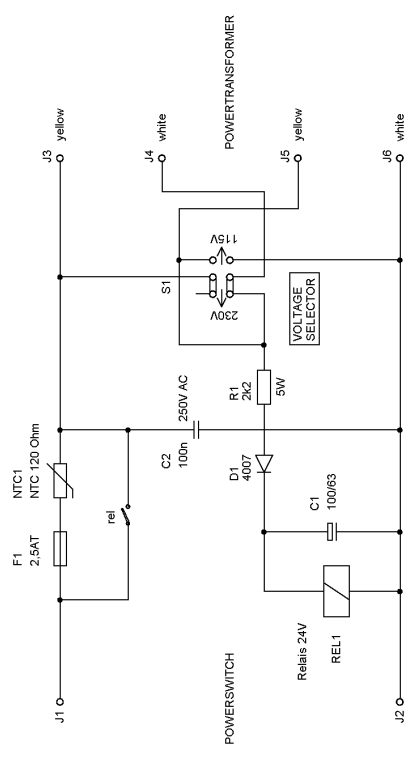


# XT10.1-EQ2

Draw: 07.01.2004 14:04:47

HDB electronic





**XT10.1-TR**  
 Date: 08.09.2004 10:17:01  
 HDB electronic

XT10.1-TR

Draw: 03.09.2004 07:11:44

HDB electronic

