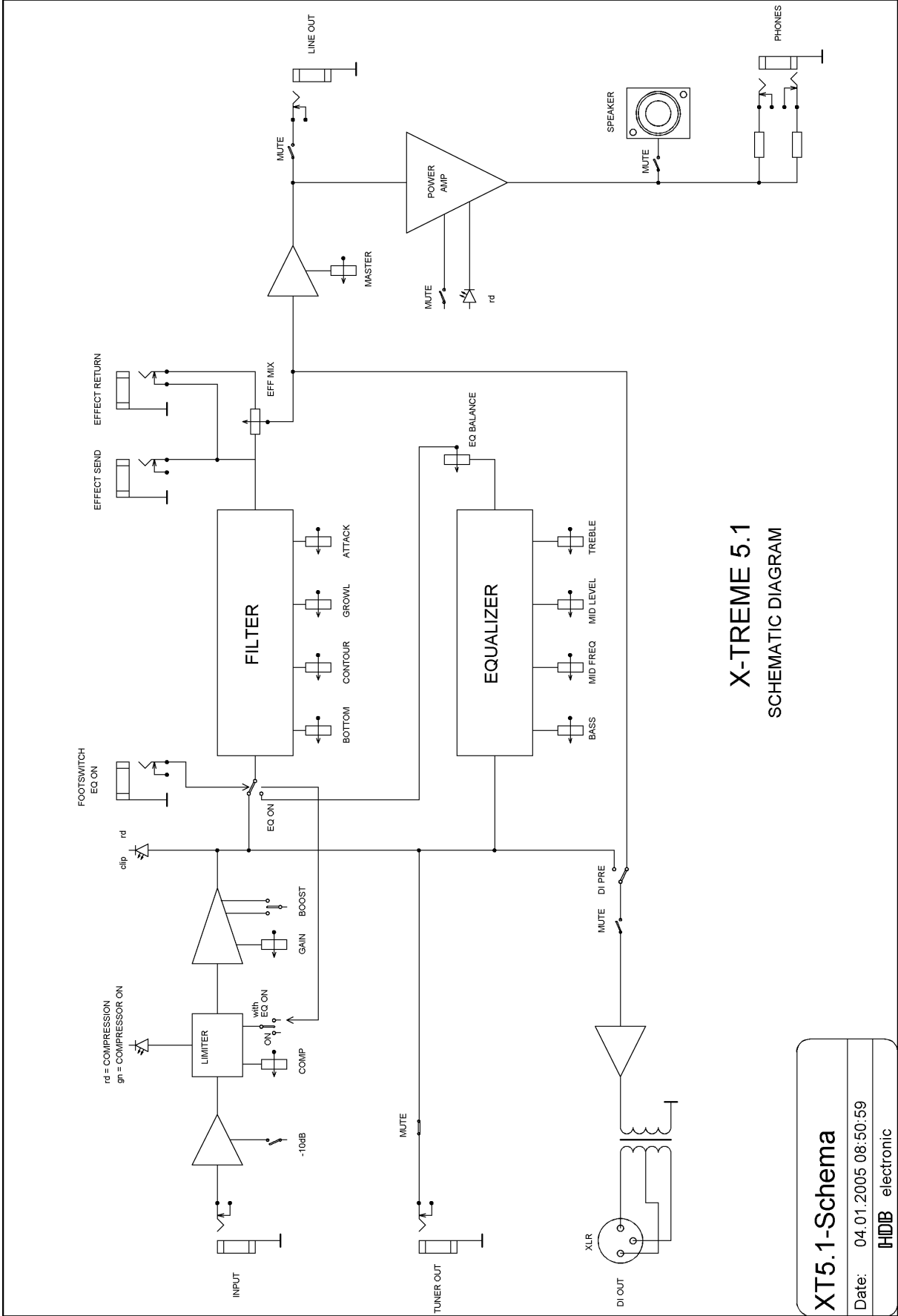


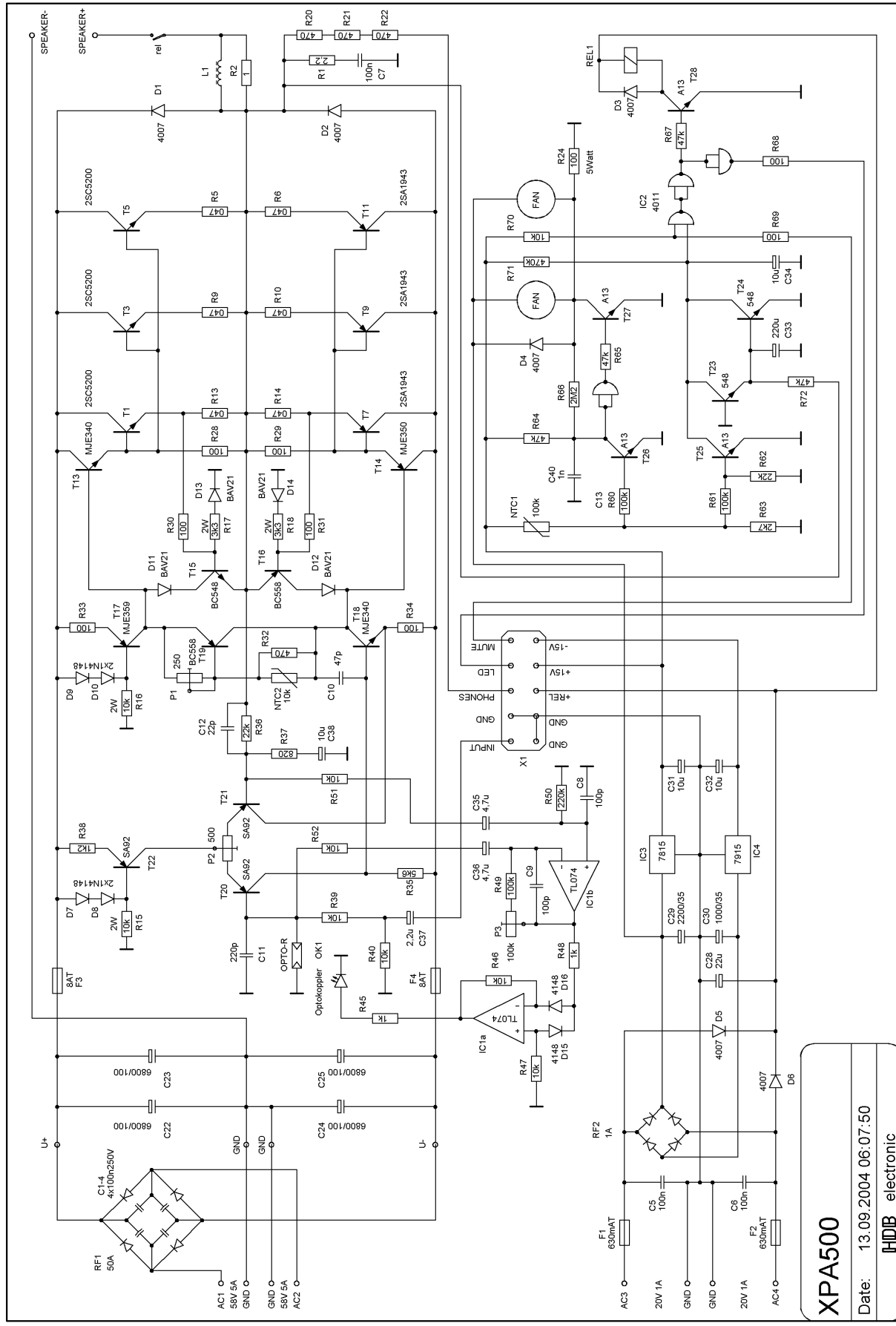
Xtreme5.1

ab Ser. Nr.: H20694



X-TREME 5.1 SCHEMATIC DIAGRAM

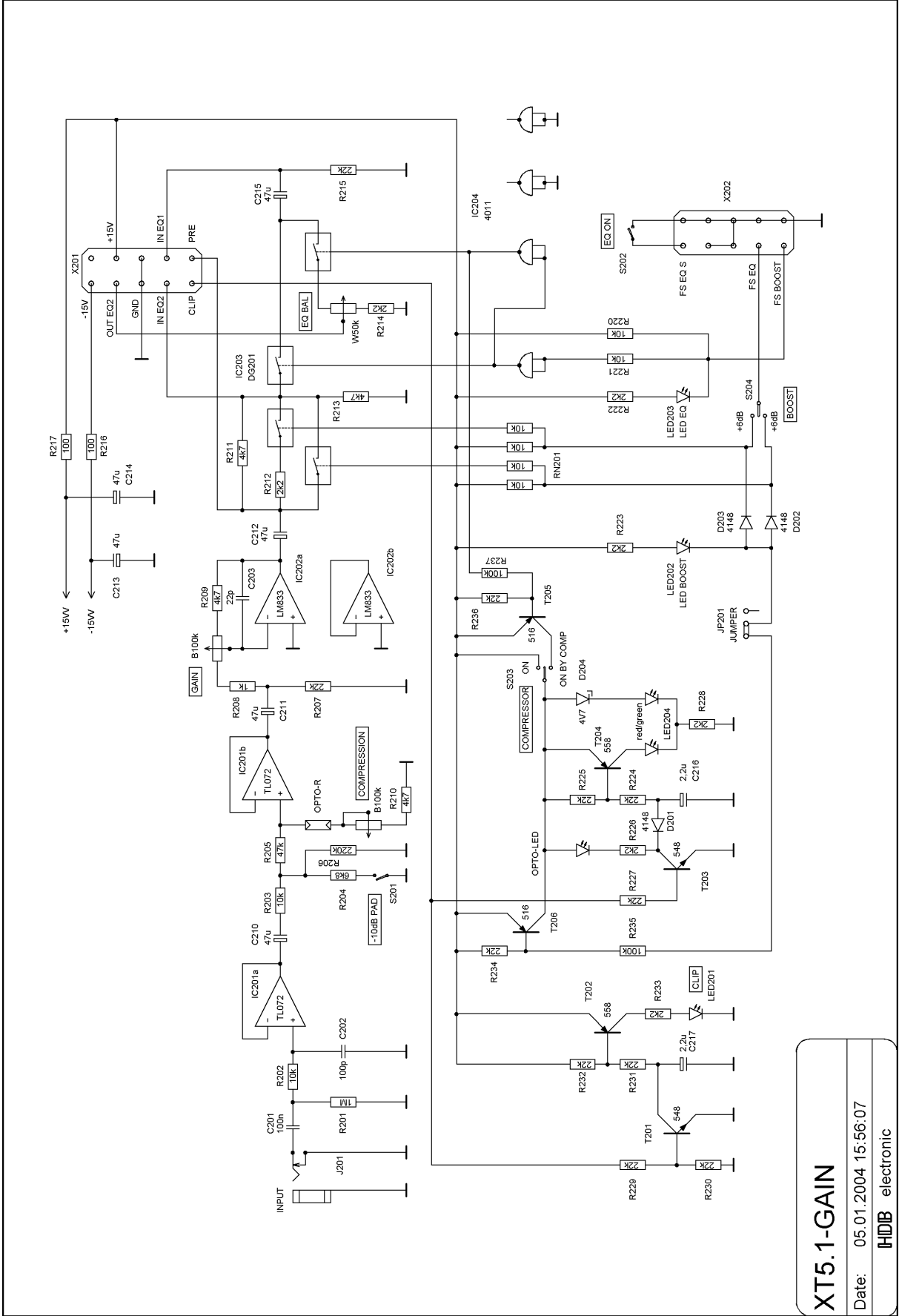
XT5.1-Schema
Date: 04.01.2005 08:50:59
HOB electronic



XPA500

Date: 13.09.2004 06:07:50

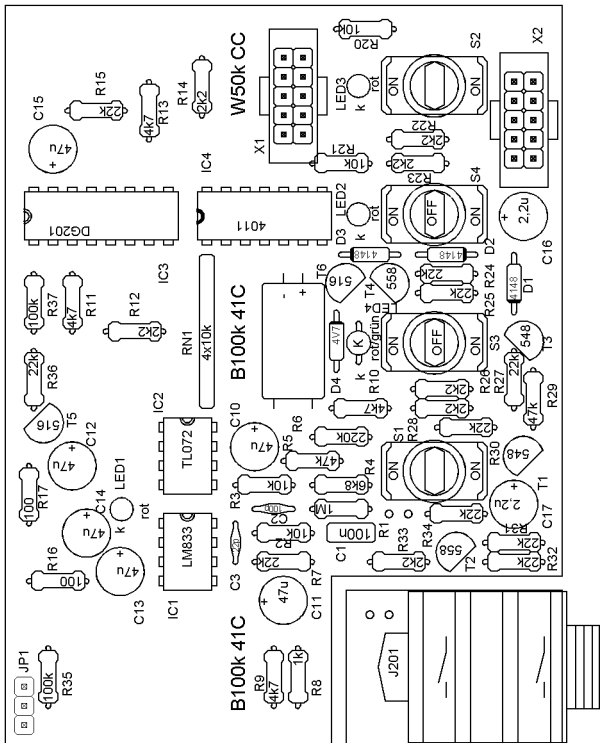
HIDB electronic



XT5.1-GAIN

Date: 05.01.2004 15:56:07

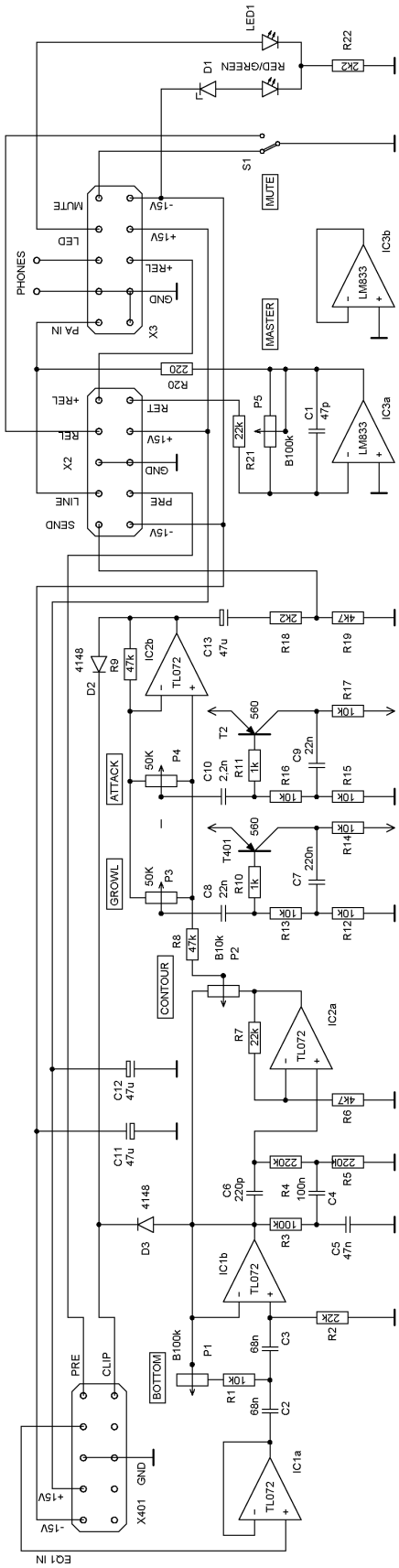
HDB electronic



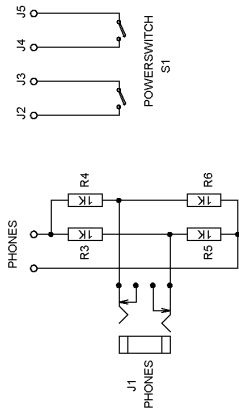
XT5.1-GAIN

Draw: 18.03.2004 11:20:31

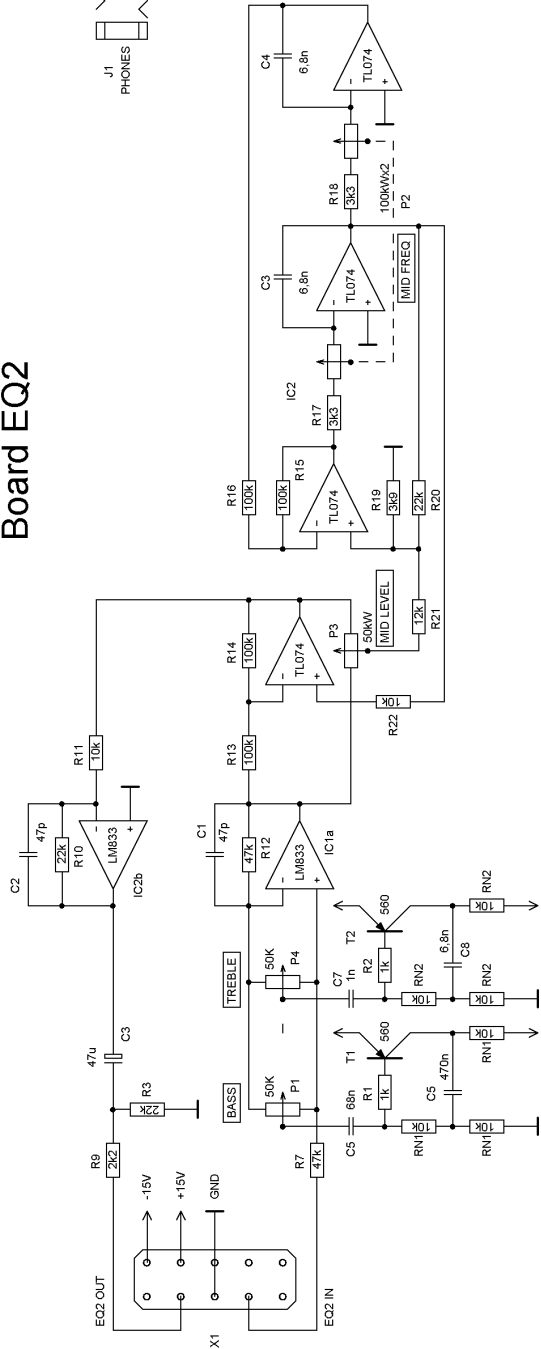
HOB electronic



Board EQ1



Board EQ2



XT5.1-EQ

Date: 16.02.2004 08:35:25

HDDB electronic

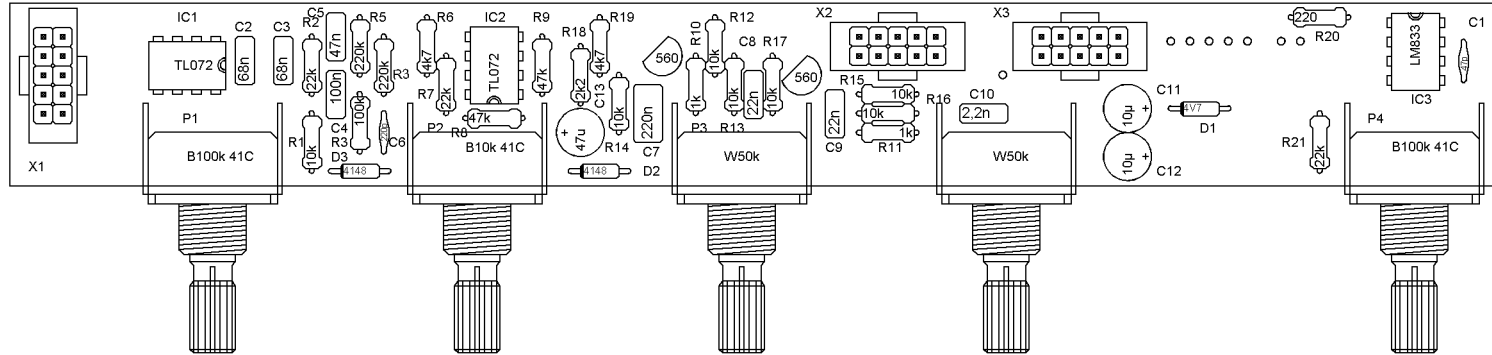
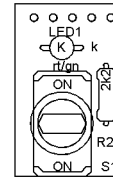
XT5.1-EQ1

Draw: 13.08.2004 08:38:49

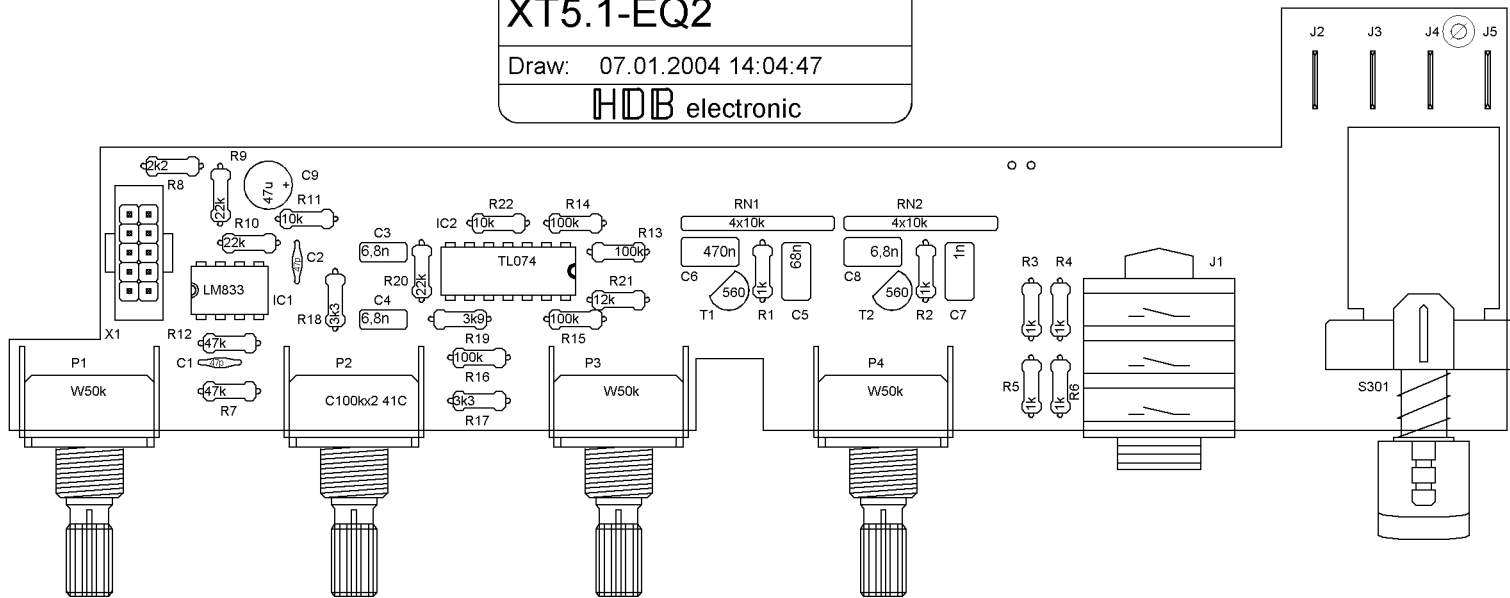
HDB electronic

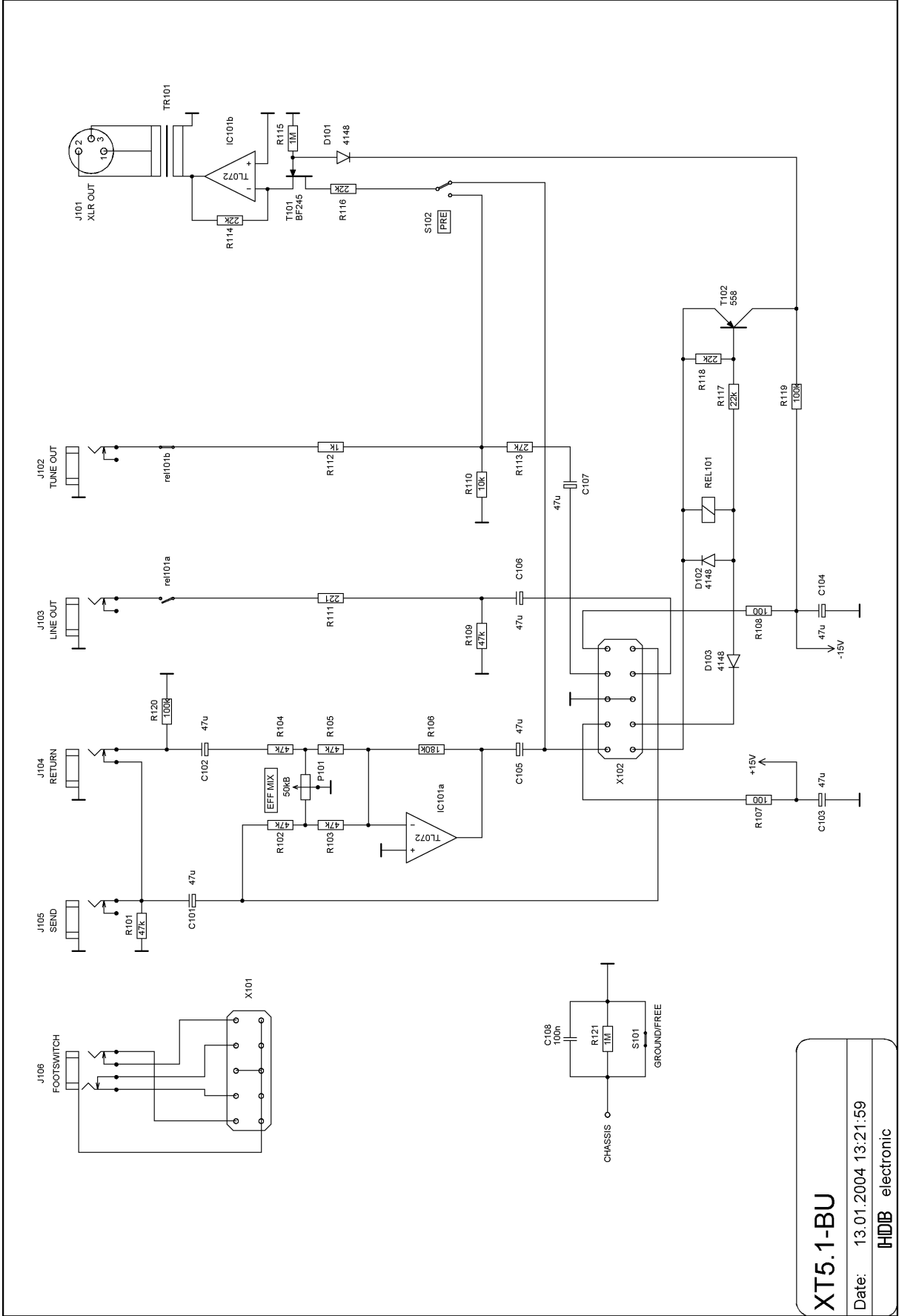
-15V
 OUTU +15V
 GND GND
 INU INO
 CLIP PRE

SEND LINE OUT
 PRE GND GND
 -15V REL
 ret REL+



XT5.1-EQ2
 Draw: 07.01.2004 14:04:47
HDB electronic





XT5.1-BU

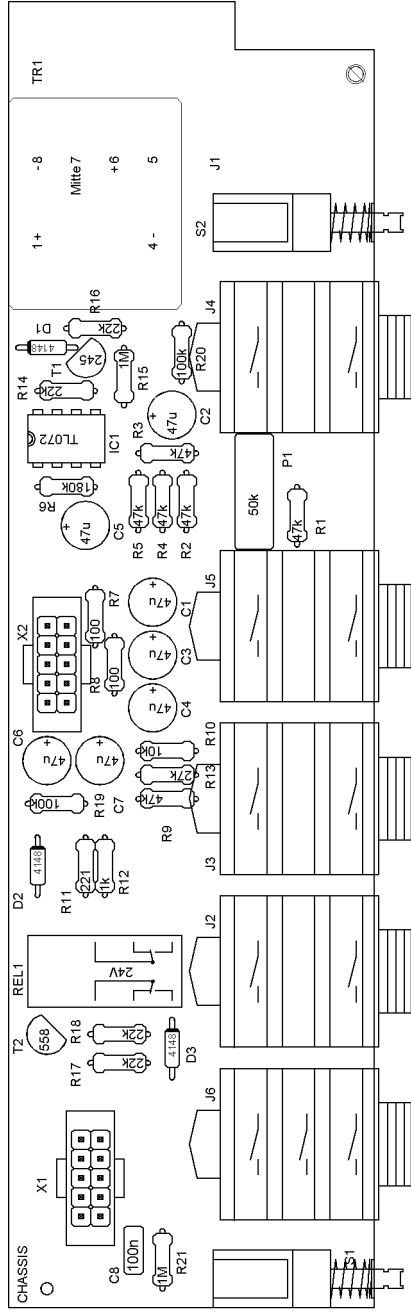
Date: 13.01.2004 13:21:59

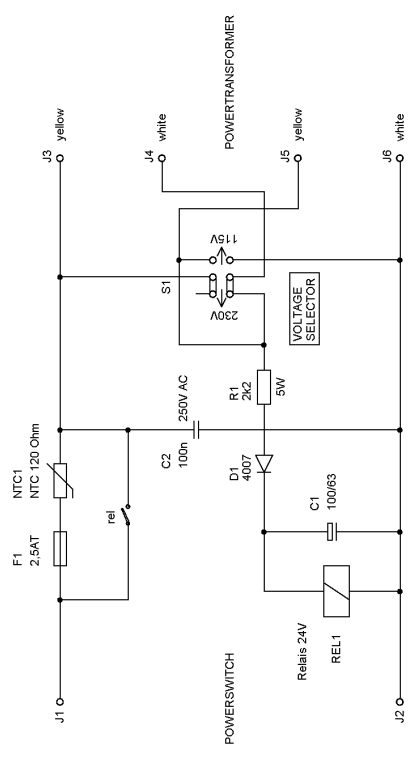
HDB electronic

XT5.1-BU

Draw: 13.08.2004 05:17:50

HDB electronic





XT5.1-TR
 Date: 08.09.2004 10:17:01
 HOB electronic

XT5.1-TR

Draw: 03.09.2004 07:11:44

HDB electronic

